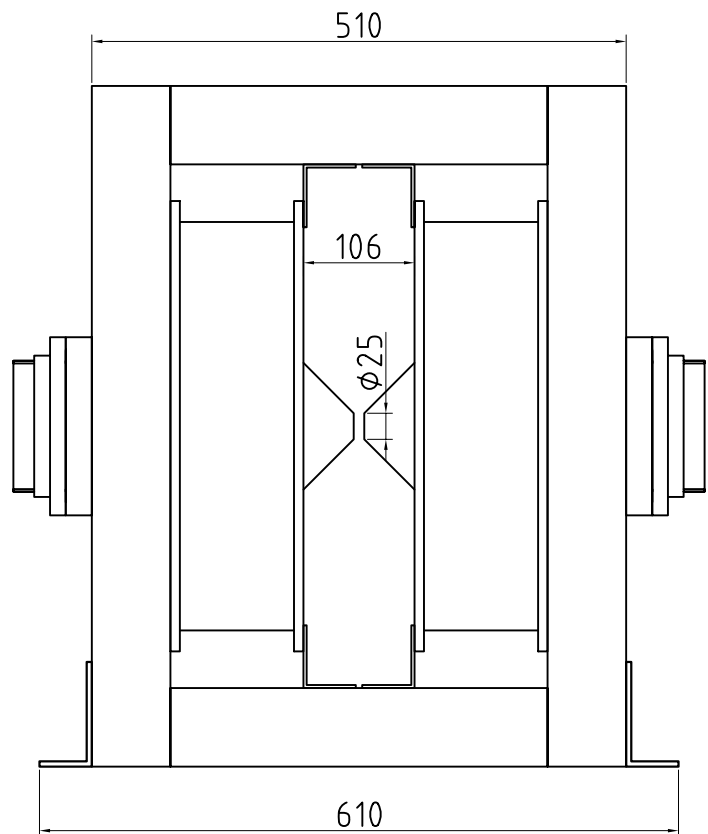
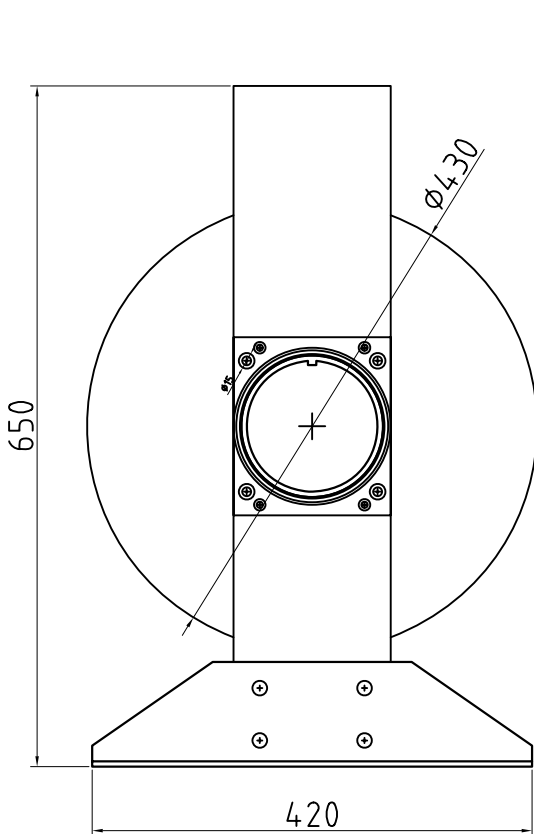
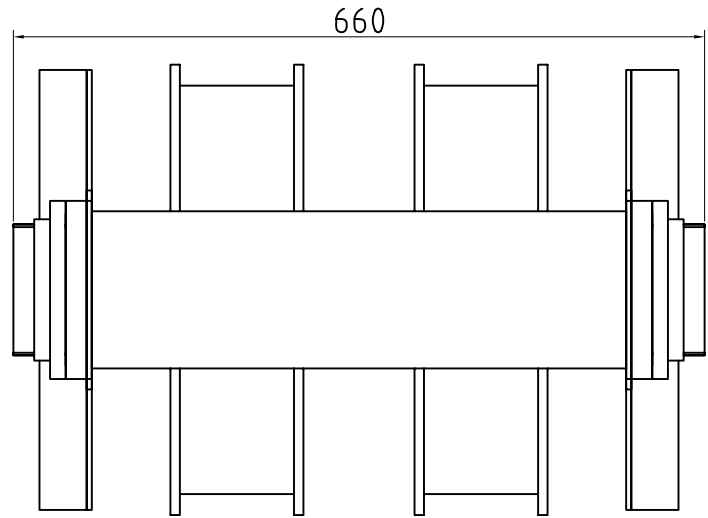


REV	DESCRIPTION	DATE
X	XXX	00/00/2018



GEN- Tolerances				Drawn	Material	Quantity	Finish	Date	Scale	Sheet Size
Linear		Angular		Nithin				13/05/19	1:1	A4
X	±0.5	X°	±0.5°	Checked	HOLMARC OPTO-MECHATRONICS (P) Ltd	Title Tesla Electromagnet				
X.X	±0.1	All dims are in mm		vvt						
X.XX	±0.02			Approved	Part Number	Part Name	Drawing/ Model Number	Part Revision		
X.XXX	±0.005			Emc	00	Assembly		0		