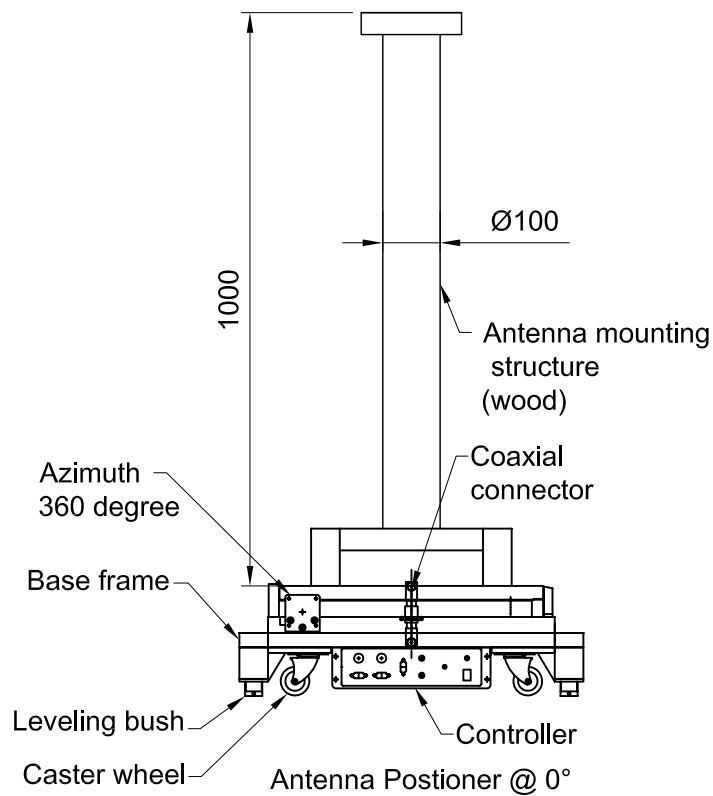



60SH86 Stepper Motor with encoder



$\nabla$ 8-25,  $\nabla$ 1.6-8,  
 $\nabla$ 0.025-1.6,  
 $\nabla$ <0.025.  
 ALL DIMENSIONS  
 ARE IN MM UNLESS  
 OTHERWISE STATED

  
 SCALE : NA

DRAWING / MODEL NO.  
 16 925 00  
 PAGE NO : 01


**HOLMARC**  
 OPTO-MECHATRONICS (P) Ltd  
 B-7, H.M.T Industrial Estate,  
 H.M.T (P.O.), Kochi, India.

Antenna Postioner