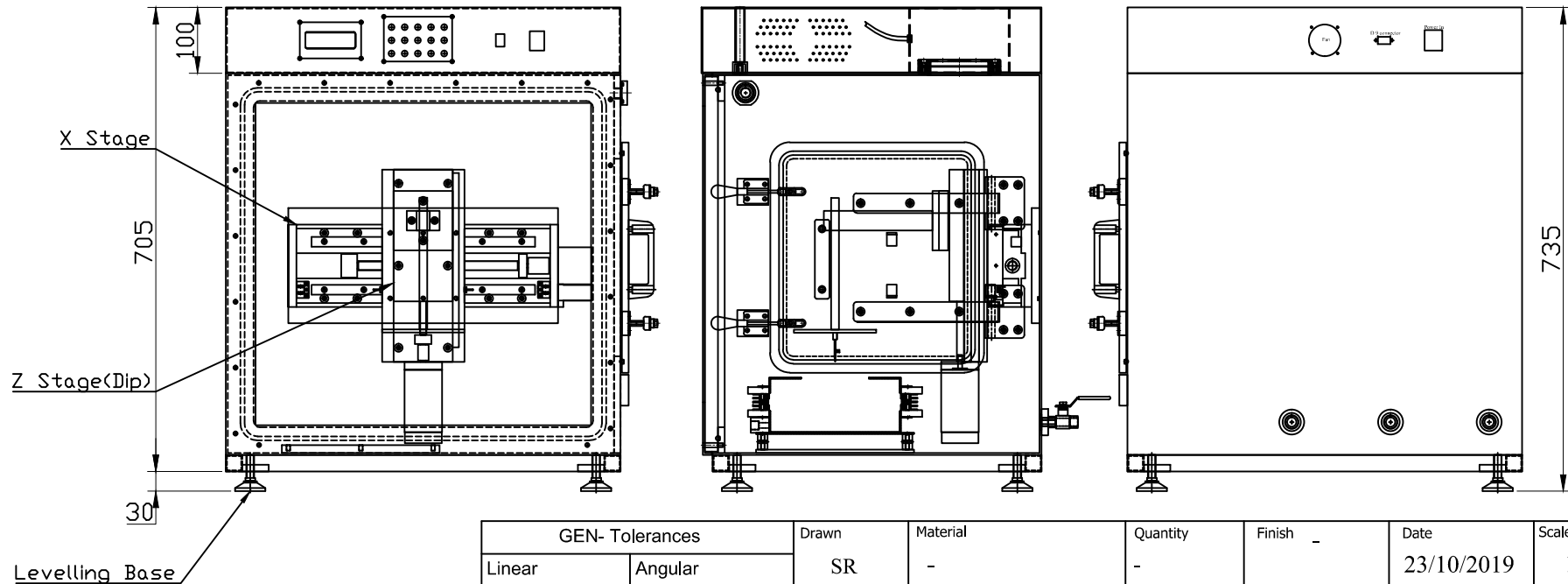
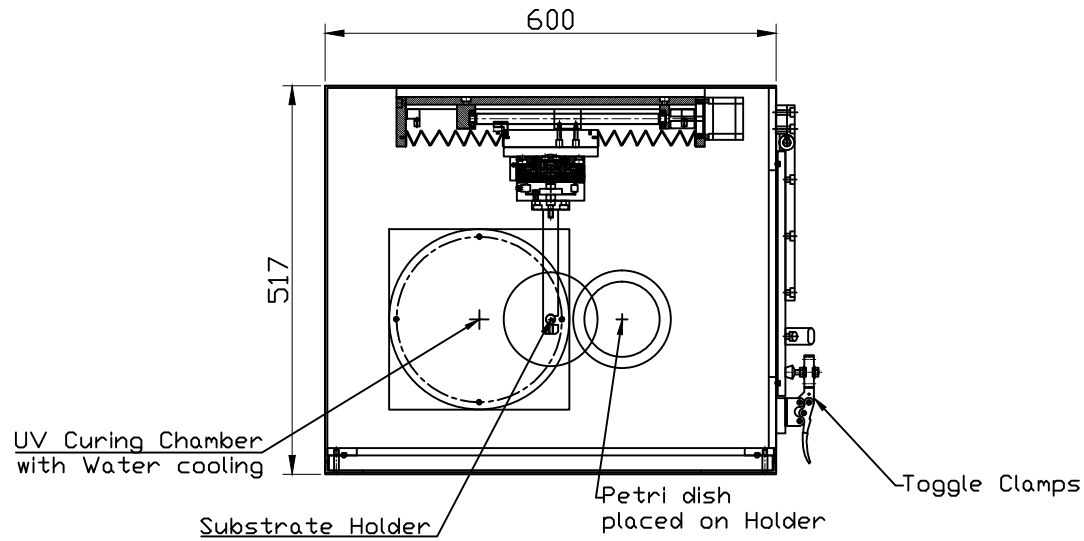


REV	DESCRIPTION	DATE
X	X	00/00/2018



GEN- Tolerances				Drawn	Material	Quantity	Finish	Date	Scale	Sheet Size		
Linear		Angular		SR	-	-	-	23/10/2019	1:1	A4		
X	±0.5	X°	±0.5°	Checked	HOLMARC OPTO-MECHATRONICS (P) Ltd	Title		Dip coating unit with UV curing				
X.X	±0.1	All		SK		Drawing/ Model Number						
X.XX	±0.02	dims		Approved		Part Number					Part Name	
X.XXX	±0.005			Emc		-					Assembly	
Drawing/ Model Number 19 1151 00								Part Revision 0				