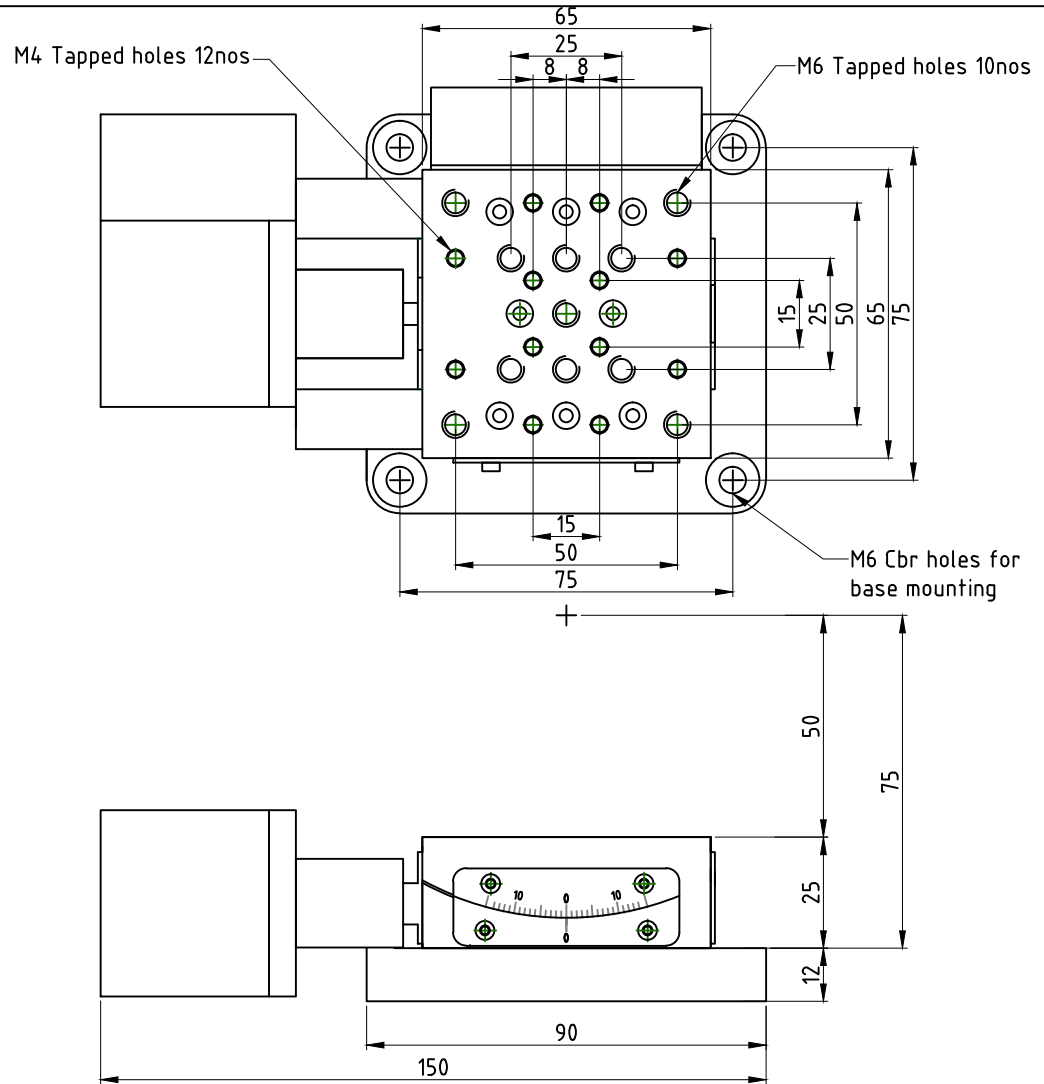
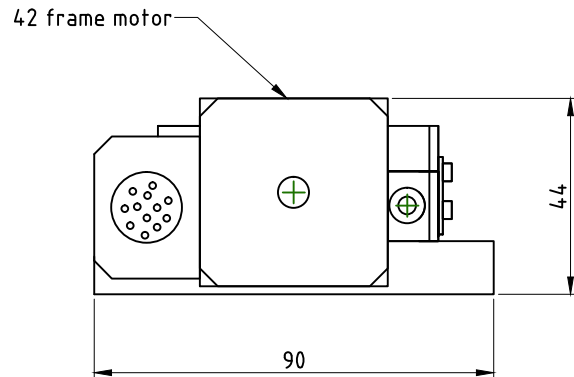


THIS INFORMATION IS CONFIDENTIAL AND PROPRIETARY TO HOLMARC, ITS
 WORLDWIDE SUBSIDIARIES AND/OR AFFILIATES. IT MAY NOT BE DISCLOSED
 TO ANYONE, OTHER THAN HOLMARC PERSONNEL, WITHOUT WRITTEN
 AUTHORIZATION FROM AN AUTHORIZED REPRESENTATIVE OF HOLMARC



GEN- Tolerances				Drawn	Material	Quantity	Finish	Date	Scale	Sheet Size
Linear		Angular		SKS	-	01	-	27-8-2020	1:1	11
X	±0.5	X°	±0.5°	Checked	HOLMARC OPTO-MECHATRONICS (P) Ltd	Item no-11		Motorized Goniometer MGM-65-75		
X.X	±0.1	All dims are in mm		SKS						
X.XX	±0.02			Approved	Part Number	Part Name	Drawing/ Model Number		Part Revision	
X.XXX	±0.005			EMC	-	-	20 1168 00	0		