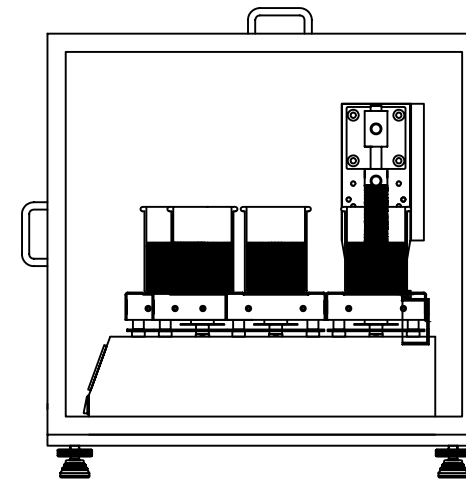
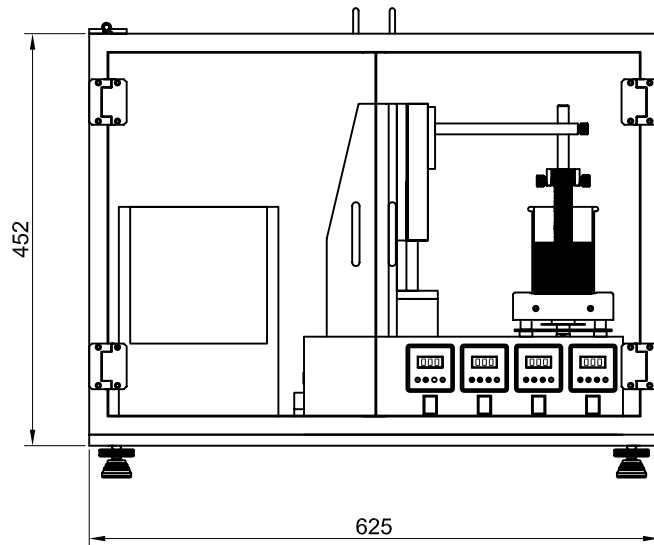
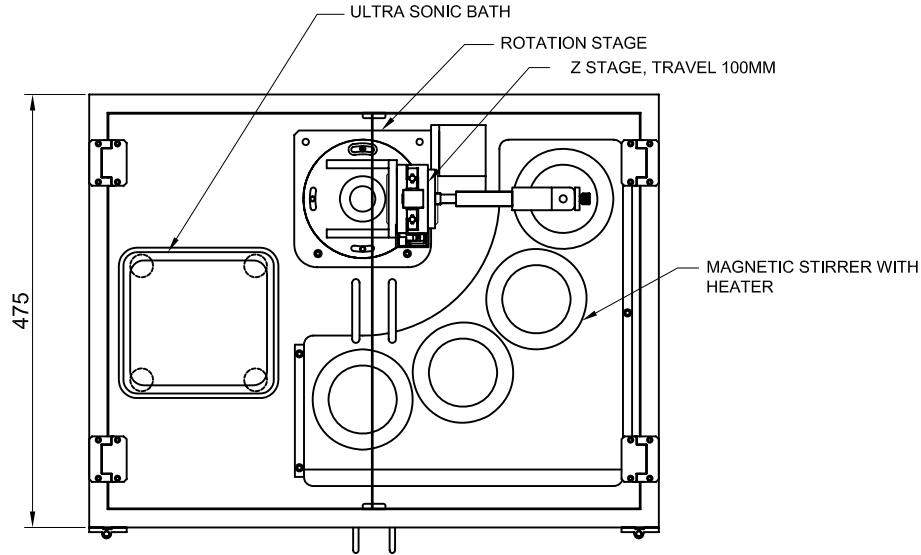


THIS INFORMATION IS CONFIDENTIAL AND PROPRIETARY TO HOLMARC. ITS WORLDWIDE SUBSIDIARIES AND/OR AFFILIATES. IT MAY NOT BE DISCLOSED TO ANYONE, OTHER THAN HOLMARC PERSONNEL, WITHOUT WRITTEN AUTHORIZATION FROM AN AUTHORIZED REPRESENTATIVE OF HOLMARC.



▽8-25, ∇▽1.6-8,
 ∇∇∇0.025-1.6,
 ∇∇∇∇<0.025.

ALL DIMENSIONS
 ARE IN MM UNLESS
 OTHERWISE STATED



SCALE : NA

DRAWING / MODEL NO.

HO TH 03C

PAGE NO : 1



HOLMARC
 OPTO-MECHATRONICS (P) Ltd

Factory:-
 B-7, H.M.T Industrial Estate,
 H.M.T (P.O), Kochi, India.

Office:-
 Edappally Toll,
 Kochi-24, India

Silar Controller