

2 OPTOMECHANICS



Feel free to talk to our sales engineers
Call now!
+91 0484 2540075
E-mail : sales@holmarc.com
mail@holmarc.com

Optomechanics are used to provide a variety of mounting or positioning options for a wide range of optical applications. HOLMARC is constantly adding new opto-mechanical components to provide a variety of mounting or positioning options for a wide range of optical applications.

Standard Opto - Mechanical Devices manufactured by our company are explained in this section. Apart from these standard items, we also manufacture devices and systems with custom specifications. We welcome your queries for customized products.

Wide range of ancillary **Opto-mechanical** products to help you construct a flexible and **stable optical assembly.**

We can manufacture precision opto-mechanical components for just about any application. Standard opto-mechanical components include posts, rails, optical mounts, optical breadboards or tables, translation stages, or other components used to construct optical systems.

Contents

POST & PEDESTAL SYSTEM	033
8mm Diameter Posts	033
Post Holders for 8mm dia. Posts	033
POST & PEDESTAL SYSTEM	034
Post Collar	034
12mm Diameter Posts	034
P-LE Series Posts	034
Post Holders for 12mm dia. Posts	035
Plunger knob	035
Pedestal Adapter For Post Holder	035
Pedestal Post Holder	035
Pedestal Fork	036
Translating Post Holder-Ø12mm	036

Translating Pedestal	
Post Holder - Ø12mm	037
POST & PEDESTAL SYSTEM	038
16mm Diameter Posts	038
M6-M4 Adapter for 16mm post	038
Post Collar	038
P16D-LE Series Posts	038
PH-16D Series Post Holder	039
Pedestal Post Holder for	
16mm Diameter Posts	039
Translating Post Holder-Ø16mm	040
Translating Pedestal	
Post Holder - Ø16mm	040
POST CLAMPS	041
Right Angle Post Clamp	041
Top End Right Angle Post Clamp	041
Swivel Post Clamp	041
Ball and Socket Clamp	041
POST BASES	042
Slotted Plates	042
Post Bases	043
Magnetized Post Bases	043
CLAMPS	043
C - Type Clamps	043
V - Type Clamps	043
POST MOUNTING SYSTEM	
- BASE PLATE	044
Pedestal Bases	044
Switchable Magnetic Post Bases	044
Radial Slotted Base Plate	044
Swivel Post Base	045
XY Post Base	045
Table Clamps	045

HOLMARC

Phone Contacts
+91-484-2540075
+91-484-2543755

E-mail Contacts
mail@holmarc.com
sales@holmarc.com



For more products and information please log on to www.holmarc.com

Opto Mechanical Kit - 12mm Post System	046
OPTO MECHANICAL ACCESSORIES	046
PEDESTAL SYSTEM	047
Pedestal Post	047
Pedestal Shims	047
Pedestal Fork	047
Pillar Post	048
25mm diameter pillar post holder	048
Pillar Post Base	048
Right Angle Post Clamp	049
Pedestal Post Clamp-Rotatable	049
Pedestal Post Clamp	049
Pillar Post Clamp	049
Large Post Clamp Plates	050
Post Clamp Bracket	050
HEAVY DUTY POST SYSTEMS	051
Damped Heavy Duty Post	051
Post Spacer	051
Heavy Duty Post Base	051
MOUNTING CLAMPS	052
Mounting Clamp	052
Large Mounting Clamp	052
Compact Post Clamp	052
Accessories	052
Dual Rod System	053

Optic Mounts 54 89



HOLMARC offers a wide range of Optical Mounts suited for different mounting needs that grant significant customization potential for any optical application. Adjustable and fixed dimensions optics holders include: self-centering and adjustable lens mounts, variable lens holders, holders for rectangular optics, plate clamp, filter holders, universal plate holders and laser holders.

MIRROR & BEAM SPLITTER MOUNTS	054
Rigid Mirror Mounts	054
Rigid Flip Mount	054
Plain Mirror Mounts-MM SERIES	055
Kinematic Mount For Rectangular Optics-KMR SERIES	056
Kinematic Mount For Circular Optics -BM SERIES	057
Kinematic Mount For Circular Optics -KMC SERIES	058


Kinematic Mount With Maximum Aperture -BMX SERIES	059
Kinematic Lens Mounts/ Objective Lens Mounts	060
Kinematic Circular Optic Mount with adjustable jaw	060
Top Adjustable Plane Mirror Mounts -TAPM SERIES	061
Top Adjustable Mounts -TABM SERIES	062
ADAPTERS AND ACCESSORIES	063
Fixed Angle Rigid Mirror Holder	064
Circular Mirror Adapters	064
45° Mirror Holder	064
Thin Optics Adapter	064
Rotation Adapters	065
Post Adapter	065
Lens Adapters	065
Fiber Holder	065
Cube Beam Splitter Adapter	066
Circular Mirror Adapter	066
45 Degree Optic Adapters	066
Objective Lens Adapters	066
Cube / Beam Splitter / Prism Clamp	067
45 degree Mirror Mount Holder	067
Slotted post mounting base plate	067
Base Plate L Shaped	067
Kinematic Mount for Large Rectangular Optics	068
Kinematic Mount for Large Circular Optics	068
Kinematic Self centering jaw mount for Circular Optics	069
Kinematic Concave Mirror or Optical Flat Holders (Five Axis Adjustment)	069
Gimbal Mirror Mounts	070
Gimbal Mirror Mounts With Rotation	071
Gimbal Mirror Mounts for Large Optics	072
Motorized Gimbal Mirror Mounts	073
Kinematic Platform Mount	074
Kinematic Prism Mount	075
Dual Axis Tilt Platform Mount	076
Tilt and Rotation Stage	077
Beam Steering Device	078
Beam Steering Device - Modular Design	079

Gimbal Mounts 70



A gimbal mount provides rotation without translation. It has axes of rotation which intersect at the center front surface of the optic. These mounts are designed to eliminate angular or positional crosstalk when steering a beam of light.

Optical Tube System 80




Holmarc's Lens Tubes System allow the combining of several optical components into stable and rigid assemblies. Lens tubes are ideal for creating compact optical sub-assemblies. Optics are separated and secured by retaining rings that are positioned at the desired depth within the lens tube

Lens tubes can be used to create lens systems such as beam expanders, telescopes, microscopes, or collimators. Various lengths of tubes for holding 1/2, 1 and 2 inch diameter lenses as well as adaptors for mounting other types of components are available.

Lens Mounts - Lens Tube Assembly	080
25mm or 1" Lens Tube Assembly System	080
Spacer Rings	080
Threaded Rings	080
Lens Cells	081
Cube	083
Filter Wheel	084
Beam Blocker	084
Lens Tube Holder	084
Rod Assembly System	085
Assembly Rods	085
Optic Plates	085
End Plate	086
Kinematic Optic Plate	086
Course Rotator	086
Translators	087
Cube Accessories	087
Cube Prism Holder	087
Plate Beam Splitter Holder	087
Adapters	088
Base Mounting Platform	088
Lens Mounts	089
Rigid Lens Mounts	089
Rigid Camera Lens Mounts	089
Self Centering Lens Mounts	090
Self centering Mount with Adjustable knob	090
Circular Adjustable Lens Mount	090
Bar Type Adjustable Lens Mount	091
V Type Adjustable Lens Mount	091
Cylindrical Lens Mounts	091
Kinematic Cylindrical Lens Mount	092
Focus Adjustable Lens Mounts	092

Translation Stages 80




Translation Stages are used to provide varying degrees of movement to mounted optical components for a range of optical applications. Translation Stages allow optical components to be easily moved or repositioned without the need for removal or re-calibration. Translation Stages are ideal choices for use in a number of optical systems.

YZ Lens Mounts/Objective Lens Mounts	093
XYZ Lens Mounts	093
Five Axis Lens Mount for	
25mm to 75mm Optics	093
Five Axis Lens Mount Large Optics	094
Rigid Objective Lens Mounts	094
Kinematic Lens Mounts/Objective	
Lens Mounts	094
XYZ Objective Mounts	095
5 axis Objective Mounts 5AMOH Series	095
Filter Mounts	096
Filter Cells	096
Quick Change Multiple Filter Holder	096
Filter Cell Holder - FCH Series	096
Square Filter Holder - SFH Series	097
Rectangular Filter Holder - RFH Series	097
Filter Wheel	097
Stackable filter wheel	098
Motorized Filter Wheel with Controller	098
Plate Holder / Glass Slide Holders	099
Plate Holder- C Shaped	099
Diffuser Plate with Rotator	099
Polarizer Mounts	100
Manual Polarizer Rotators	100
Polarizer Rotator - PMC Series	100
Precision Polarizer Rotator - PMP Series	100
Polarizer Rotator/Wave Plate Rotator	
With Fast Axis Dial	101
Precision Polarizer Rotator with Tilt	101
Motorized Polarizer Rotator	
(High speed low resolution)	102
Motorized Polarizer Rotator	
(Slow speed high resolution)	102
Beam Dump	103
Air Cooled Beam Dump	103
Water Cooled Beam Dump	103

Laser Mounts	104
Kinematic Diode Laser Mount	104
DPSS Laser Mount	104
He-Ne laser Mount	105
He-Ne Laser Mount Tilt & Rotation	105
Height Adjustable XZ Tilt & Rotation	
Laser Mount	106
Base Mountable XZ Tilt & Rotation	
Laser Mount	106

Irises and Apertures 107



Apertures are used to limit the amount of light that is exposed to imaging sensors or photodetectors for a range of laser or imaging applications. Apertures are optical components comprised of irises, pinholes, or slits designed to block certain portions of a light source from reaching photodetectors in order to prevent over saturation or damage. Apertures may be controlled by expanding or contracting the diameter or width of the opening to fit multiple applications or environments, making Apertures versatile light blocking choices.

Apertures	107
Pinholes - Mounted	107
Pinhole Cells	107
Round Apertures -AS Series	107
Variable Aperture Std Variable	
Round Aperture - SSID Series	108
Std Variable Round Aperture Mount	
- MSSID Series	108
Std Variable Slit - SVRA Series	108

Fiber Positioners 110



HOLMARC provides a variety of fiber alignment systems. We can also provide motorized positioning solutions for fiber alignment. Like all our motorized systems, Comes with extensive software for easy setup and integration.

Spatial Filter Mount - Laser Fiber	
Coupler SFAS Series	109
Laser Fiber Coupler	109
Fiber Positioners	110
Fiber Chuck and Holders	110
Fiber Chuck Holder - FCH Series	110
Fiber Chuck SMA / FC / ST Fiber Holders	110
Threaded Chuck Holder For	
Fiber Chucks / Connectors	110
Fiber Positioners and Adapters	111
Adapters	111
Adapters for fiber chuck	111
Adapters for SMA / FC / ST	
Fiber Connector	111
HM1 / C Mount Threaded Adapter	111
RMS Threaded Adapter	
(For Microscope Objectives)	111
Clamping Fiber Adapter	112
Positioners	112
Rigid Support	112
XZ Positioner	112
XYZ Positioner	113
Five Axis Positioner	113

Tools & Accessories

Metric - English Thread Adapters	114
English - Metric Thread Adapters	114
Set - Screws	115
Nylon tipped set-screws	115
Metric Set-Screws	115
Copper tipped set-screws	115
Metric Set-Screws	115
Nylon tipped thumb screws	115
Metric Thread Adapters	115
Copper tipped thumb screws	115
Metric Thread Adapters	115
SHC Screws	115
Metric Socket Cap Screws	115
Metric Set Screws	116
Metric Allen Key, Washers and Nut	116
All in One Screw kit	116



eHOLMARC

www.e-holmarc.com

E-Holmarc is an exclusive e-commerce site maintained by Holmarc Optomechanics P. Ltd. for selling stock products manufactured by **Holmarc**.

Do shop online for stock products with great discounts and offers...



POST & PEDESTAL SYSTEM

HOLMARC



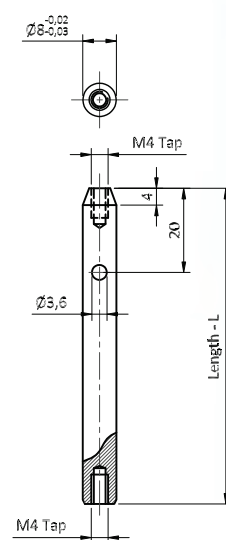
8mm Diameter Posts

P8 series posts are of 8mm diameter with precision ground finish. Both ends are provided with M4 tapped holes. P8 series posts are compatible with PH8 series post holders

Model No:	Length (mm)
P8-25	25
P8-30	30
P8-50	50
P8-75	75
P8-100	100
P8-125	125
P8-150	150



- ▶ 8mm diameter posts
- ▶ Length up to 150mm
- ▶ M4 tapped holes at both ends
- ▶ Stainless steel construction
- ▶ Ground finish

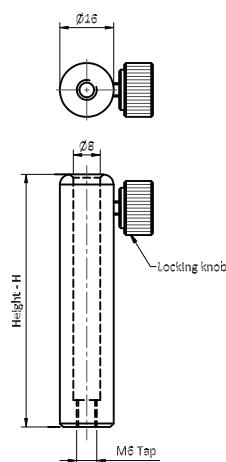


Post Holders for 8 mm diameter Posts

These post holders have square relief cut for stable three point line contact with post and post holder. Spring loaded plunger knob is provided with every post holder for smooth up and down movement and stable tightening at desired position.

We can fix post holder to an optical table, base plate or a pedestal adapter using M6 mounting hole provided at the bottom of the post holder.

Model No:	Height - H (mm)
PH8 - 25	25
PH8 - 30	30
PH8 - 50	50
PH8 - 75	75
PH8 - 100	100



- ▶ Aluminium alloy construction
- ▶ Black anodized finish
- ▶ M6 mounting hole
- ▶ Suitable for 8mm diameter post

POST & PEDESTAL SYSTEM

HOLMARC

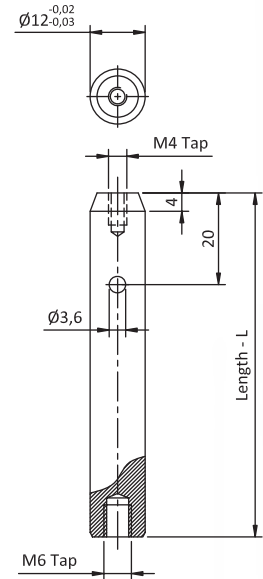
12mm Diameter Posts

P series stainless steel posts have 12mm diameter with precision ground finish. One end of the post is turned suitable for M4 screw and other end is for M6 screw. A 3.6mm diameter hole is provided on the surface of the post for providing extra torque while tightening components on it. A 3.5mm allen key or a screwdriver with less than 3.6mm diameter can be used for tightening. For post holders suitable for 12 mm diameter posts refer to PH series post holders.

Model No:	Length (mm)
P - 30	30
P - 40	40
P - 50	50
P - 75	75
P - 100	100
P - 125	125
P - 150	150
P - 200	200
P - 250	250



- ▶ Stainless steel
- ▶ Ground finish
- ▶ One end chamfered for easy access
- ▶ M4 & M6 threaded for mounting



Post Collar

PC-12 Post collars are slip on type collars with M4 soft metal tipped knob. PC-12 collars are made of aluminium B51S alloy metal with black anodized finish. PC-12 post collars are suitable for our 12mm diameter posts. They can be easily inserted or removed by using suitable access slots provided.

Note : Post and post holders are not included, and are sold separately

Model: PC - 12

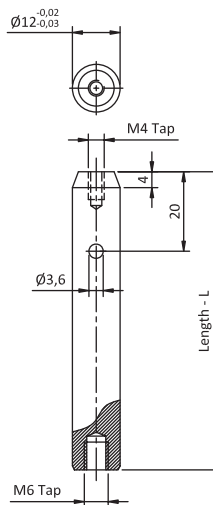


P-LE Series Posts

P-LE series stainless steel posts have precise laser engraved scale reference from M4 screw side. Engravings are provided at 1mm division along their length.

Model No:	Length (mm)
P - LE 50	50
P - LE 75	75
P - LE 100	100
P - LE 125	125
P - LE 150	150
P - LE 200	200

- ▶ Stainless steel
- ▶ Ground finish
- ▶ One end chamfered for easy access
- ▶ One end M4 threaded and other end M6 threaded
- ▶ Laser engraved scale

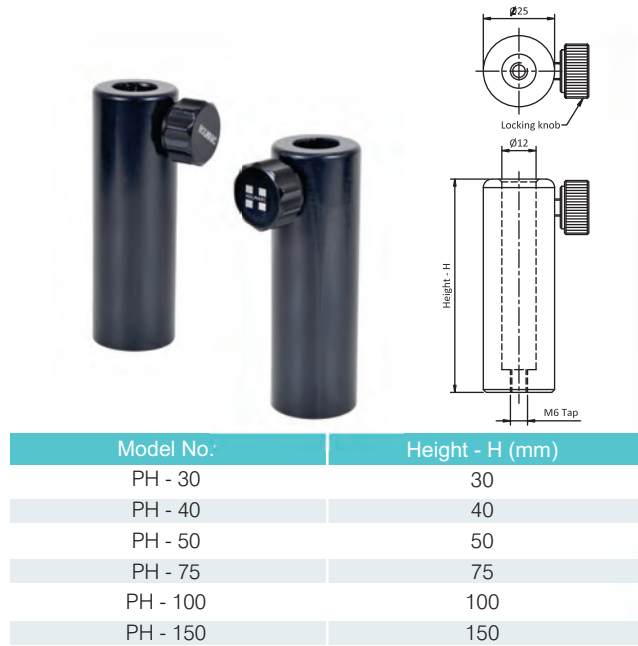


Post Holders for 12 mm diameter Posts

PH series post holders have a square relief cut for stable three point line contact with post and post holder. Spring loaded plunger knob is provided with every post holder for smooth up and down movement and stable tightening at desired position.

We can fix post holder to an optical table, base plate or a pedestal adapter by using M6 mounting hole provided at the bottom of the post holder.

- ▶ Aluminium alloy construction
- ▶ Black anodized finish
- ▶ M6 mounting hole
- ▶ Suitable for 12mm diameter post



Plunger knob



Plunger Knob, Model : PGK-20 is a brass plunger, loaded with a suitable spring, inside M6 stud. This plunger knob prevents posts from sudden falling while loosening the knob for removing the post or adjusting height in an optical set up. Only one hand is required for any operation using post and post holder.



Pedestal Adapter For Post Holder

Pedestal Adapter Model : PPA PG 12D is used to convert PH series post holder to a pedestal post holder system. This can be used to position an optical system away from the line of mounting holes array by using a pedestal fork.

- ▶ Stainless steel construction
- ▶ Turned finish
- ▶ M6 stud for mounting
- ▶ Disc thickness 5mm
- ▶ Suitable for STD fork

Model No.:	Height - H (mm)	Minimum Order Qty
PGK-20	Plunger Knob	25 Nos.(1 set)
PPA-PG-12D	Pedestal Adapter	5 Nos.(1 set)



Pedestal Post Holder

Pedestal Post holders have stainless steel pedestal foot of thickness 5mm. The posts will sit down to minimum height compared to our regular post holders. A square relief cut is also provided for better clamping. One spring loaded plunger knob model: PGK-20 is fixed with every pedestal post holder. Pedestal post holders are made in aluminium alloy with black anodized finish.

Model No.:	Height - H (mm)
PPH - 12D - 30	30
PPH - 12D - 40	40
PPH - 12D - 50	50
PPH - 12D - 75	75
PPH - 12D - 100	100
PPH - 12D - 150	150



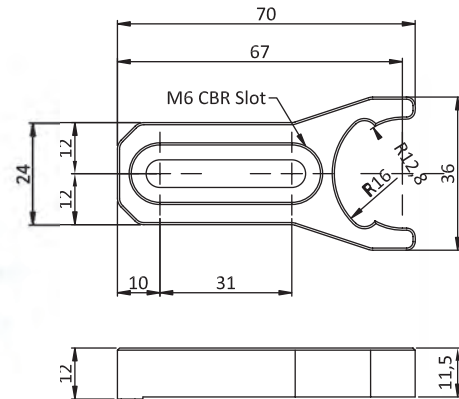
- ▶ Aluminium alloy construction
- ▶ Pedestal foot made of SS
- ▶ Black anodized finish
- ▶ Through bore
- ▶ Suitable for STD fork Model: PF-25



Bottom of PPH series pedestal post holder is provided with a through bore of 12 mm diameter.

Pedestal Fork

Pedestal Fork , PF-25 is constructed in stainless steel. Fork can be used to fix pedestal post holder. Post holder with suitable pedestal adapter or pedestal post can also be fixed to a breadboard or optical table with this fork.



Model : PF - 25

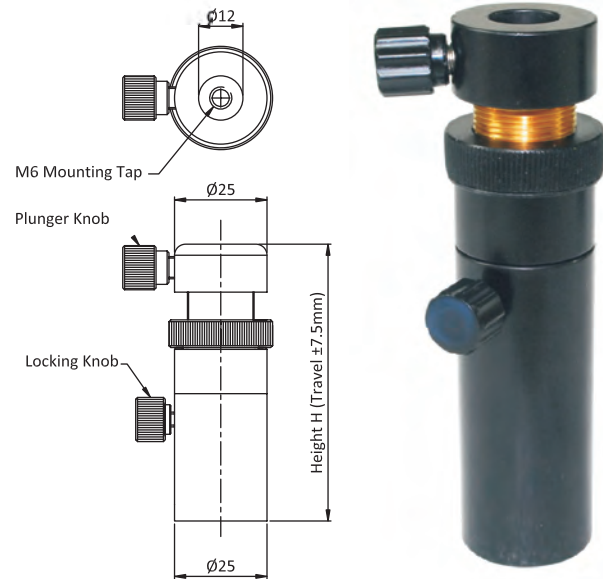
- ▶ Stainless steel construction
- ▶ 12mm thick
- ▶ M6 CBR slot
- ▶ Suitable for STD pedestals
- ▶ Machined finish



Translating Post Holder - Ø12 mm

Translating Post Holders provide non rotating height adjustment by a knurled rotating thimble. Post holders accept 12mm diameter posts. Plunger Knob (model: PGK-20) is fixed with every Translating Post Holders. Translating post holders are made in aluminium alloy and given black anodized finish.

We can fix these given post holders to an optical table, base plate or a pedestal adapter by using M6 mounting hole provided at the bottom of the post holder.



Model No:	Height - H (mm)
TPH - 75	75
TPH - 100	100
TPH - 150	150



Pedestal fork

**Pedestal Fork
Model: PF-25**



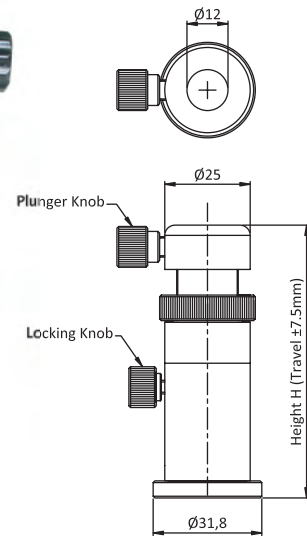
Pedestal adapter

Model No. : PPA-PG-12D

This is used to convert our PH series post holder to a pedestal post holder system.

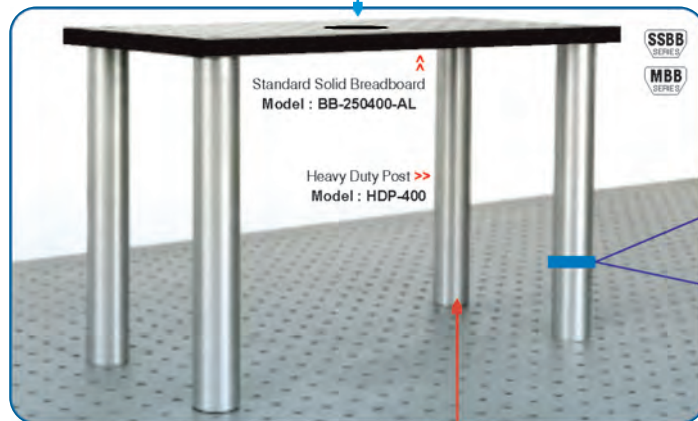
Translating Pedestal Post Holder - Ø12 mm

TPPH series Translating Pedestal Post holders have a stainless steel pedestal foot of 5 mm thickness. One spring loaded plunger knob (model: PGK-20) is fixed with every Translating Pedestal post holder. Translating Pedestal post holders are made in aluminium alloy and given black anodized finish.



Model No:	Height - H (mm)
TPPH - 75	75
TPPH - 100	100
TPPH - 150	150

Application Idea



Mounting clamps



Optic Holder



Through-holes

Through-hole allows the stage to be used in an imaging application that requires illumination from underneath the sample. Custom mounting patterns are possible for easy integration with other device.

Damped Heavy Duty Post

These posts are made of precision machined SS pipes. Inside the pipe is filled with epoxy having vibration damping properties.

POST CLAMPS



Right angle Post Clamp
Model No: RAC-12



Swivel Type Post Clamp
Model No: SWPC-12



Top End Right Angle Post Clamp
Model No: TEPC-12

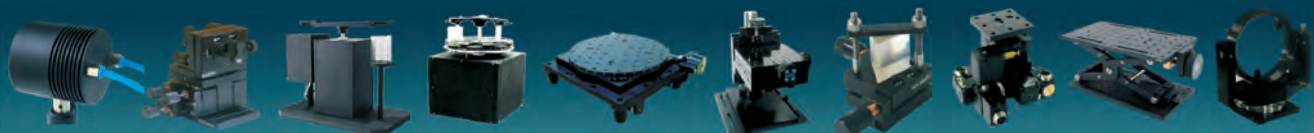


Ball and Socket Clamp
Model: FAPC-12

Refer Page No. 041

16 mm post

One stop shop for all your research needs...



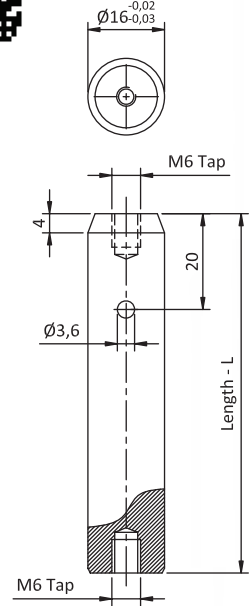
More than 1000 varieties of optomechanical products....

Visit us @ www.holmarc.com

POST & PEDESTAL SYSTEM

16mm Diameter Posts

16mm diameter posts are made in stainless steel and given precision ground finish. Both ends of the posts are provided with M6 tapped holes for mounting. A hole of 3.6mm diameter is provided on the surface of the post for providing extra torque while tightening components on it. A 3.5mm Allen key or a screwdriver less than 3.6mm diameter can be used for tightening. For post holders to be used with P-16 D series posts, please refer to PH 16D series post holders.



Model No:	Length (mm)
P16D-30	30
P16D-50	50
P16D-75	75
P16D-100	100
P16D-125	125
P16D-150	150
P16D-200	200
P16D-250	250
P16D-300	300

M6-M4 Adapter for 16mm post M4xM6 Thread

Model	TA-M4 M6
Material	Stainless Steel



M4xM6 Thread

Post Collar

PC-16 Post collars are slip on type collars with M4 soft metal tipped knob. These are made of aluminium B51S alloy with black anodized finish. PC-16 post collars are suitable for our 16mm diameter posts. This can be inserted or removed easily by using access slots provided.

* Post and post holders are not included and are sold separately

Model: PC - 16

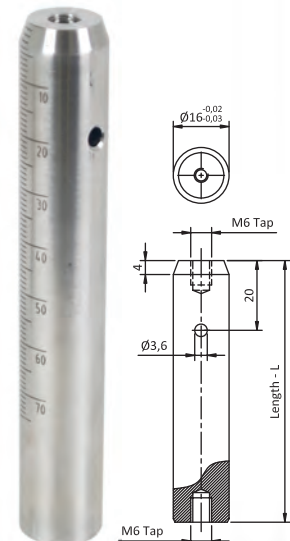


P16D-LE Series Posts

P16D-LE series stainless steel posts have precisely laser engraved scale in 1mm division along their length.



Model No:	Length (mm)
P16D-LE30	30
P16D-LE50	50
P16D-LE75	75
P16D-LE100	100
P16D-LE125	125
P16D-LE150	150
P16D-LE200	200
P16D-LE250	250

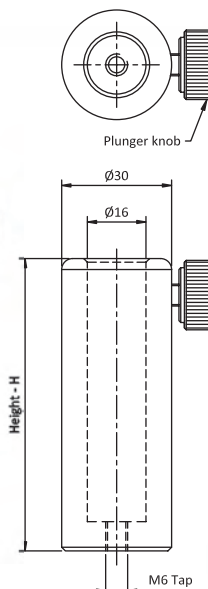


PH-16D Series Post Holder

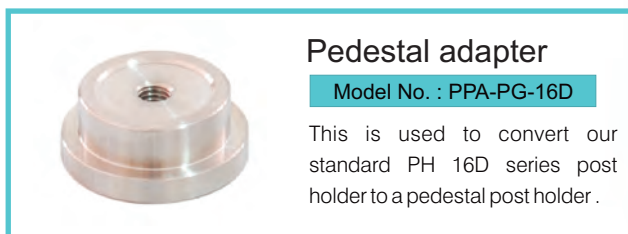
These post holders have a square relief cut for stable two line contact with post and post holder. One spring loaded plunger knob is provided with every post holder for smooth up and down movement and stable tightening at desired position.

We can fix post holders to an optical table, base plate or a pedestal adapter using M6 mounting hole provided at the bottom of the post holder.

Model No:	Height - H (mm)
PH - 16D - 30	30
PH - 16D - 40	40
PH - 16D - 50	50
PH - 16D - 75	75
PH - 16D - 100	100
PH - 16D - 150	150
PH - 16D - 200	200
PH - 16D - 250	250



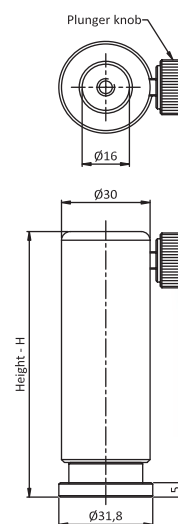
- ▶ Aluminium alloy construction
- ▶ Black anodized finish
- ▶ Through bore
- ▶ M6 mounting hole
- ▶ Suitable for 16mm diameter post



Pedestal Post Holder for 16 mm Diameter Posts

Model No:	Height - H (mm)
PPH - 16D - 30	30
PPH - 16D - 40	40
PPH - 16D - 50	50
PPH - 16D - 75	75
PPH - 16D - 100	100
PPH - 16D - 150	150
PPH - 16D - 200	200
PPH - 16D - 250	250

- ▶ Square relief cut
- ▶ Through bore
- ▶ 5mm thick pedestal foot
- ▶ Plunger knob
- ▶ Aluminium alloy construction
- ▶ Black anodized finish
- ▶ Suits P16D posts
- ▶ Compatible with PF-25 pedestal fork



Translating Post Holder - Ø16 mm

TPH-16D series Translating Post Holders provide non rotating height adjustment by a knurled rotating thimble. Translating post holders accept 16mm diameter posts. Plunger Knob (model:PGK-20) is fixed with every translating post holder. These are made in aluminium alloy and given black anodized finish.

These post holders can be fixed to an optical table, base plate or a pedestal adapter using M6 mounting hole provided at the bottom of the post holder.

Model No:	Height - H (mm)
TPH-16D - 75	75
TPH-16D - 100	100
TPH-16D - 150	150
TPH-16D - 200	200
TPH-16D - 250	250



Translating Pedestal Post Holder - Ø16mm

TPPH series Translating Pedestal Post holders have a stainless steel pedestal foot of 5mm thickness. One spring loaded plunger knob (model: PGK-20) is fixed with every Translating Pedestal post holder. Translating Pedestal post holders are made in aluminum alloy and given black anodized finish.

Model No:	Height - H (mm)
TPPH-16D - 75	75
TPPH-16D - 100	100
TPPH-16D - 150	150
TPPH-16D - 200	200



POST CLAMPS

HOLMARC

Right Angle Post Clamp

This is a 360° rotatable post clamp compatible with our posts. It is suitable for spatially restricted optical setup.

- ▶ Aluminium alloy
- ▶ Black anodized finish
- ▶ M6 locking knobs



Right angle clamp

Model No:	Diameter of post
RAC - 8	8 mm
RAC - 12	12 mm
RAC - 16	16 mm

Right angle reducer clamp

Model No:	Diameter of post
RACR16 - 12	16 to 12



Top End Right Angle Post Clamp



Top end post clamp can be used for clamping 8 mm, 12 mm or 16 mm diameter posts at right angle to each other to achieve 'T' joint.

- ▶ Aluminium alloy
- ▶ Black anodized finish
- ▶ M6 tapped hole at bottom
- ▶ M6 locking knob

Model No:	Diameter of post
TEPC - 8	8mm
TEPC - 12	12mm
TEPC - 16	16mm

Swivel Post Clamp

Swivel post clamps can be used to achieve three degrees of freedom for post mounted components. There are models suitable for 8mm, 12 mm & 16mm diameter standard posts.

- ▶ Aluminium alloy
- ▶ Black anodized finish
- ▶ M6 tapped hole at bottom
- ▶ M6 locking knob

Model No:	Diameter of post
SWPC - 8	8mm
SWPC - 12	12mm
SWPC - 16	16mm



Ball and Socket Clamp



This clamp provides 360° rotation about its axis and swings 90° to the side. The device can be locked at any desired position. Optical mounts, posts, post holders etc. can be mounted on it.

- ▶ Stainless steel
- ▶ Machined finish
- ▶ M6 tapped hole at bottom
- ▶ Single lock screws

Model No:	Type
BSPC - 12	Dual ball design
FAPC-12	Single ball design



POST BASES

Slotted Plates

SLP-25 model slotted plate is suitable for standard optic mounts with M6 mounting holes. They have M6 CBR slots from bottom.

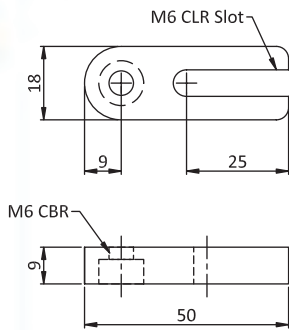
SLP-75 model slotted plate has two M6 slots and one M6 C'bored hole suitable for our standard post with M6 mounting hole. This slotted plate helps to arrange a twin mirror set up or a custom small optical bench within a restricted space.

SLP-275 model comes with two M6 CBR slots opposite to each other. We can use this when the optical path is far from the mounting holes.

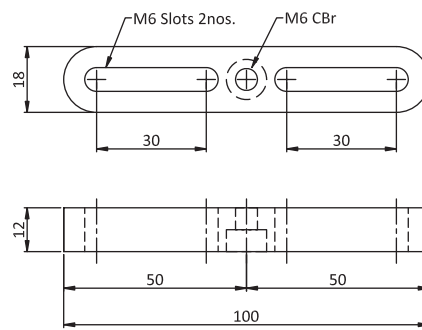
- ▶ Aluminium alloy
- ▶ Black anodized finish
- ▶ M6 CBR hole for mounting



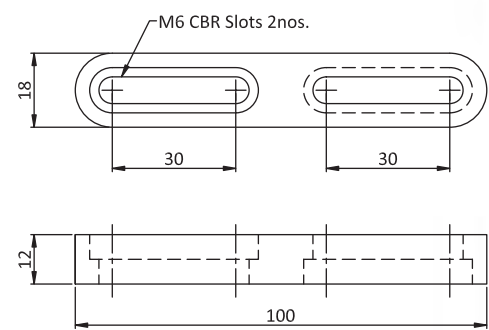
Model No:	Size (mm)	Type
SLP - 25	50 x 18 x 9	Single M6 slot with M6 CBR hole
SLP - 75	100 x 18 x 12	Two M6 slots with M6 CBR hole
SLP - 275	100 x 18 x 12	Two M6 CBR slots



SLP-25



SLP-75



SLP-275

Light Tight OPTICAL TABLE ENCLOSURES

HOLMARC



Please Refer Page No. **006 -010**

- ▶ Lightweight black panels for light sensitive applications
- ▶ Protects sensitive equipment from dust, acoustic noise, thermal gradients and light
- ▶ Mounts directly to optical tables and breadboards
- ▶ Can be custom built for your specific application

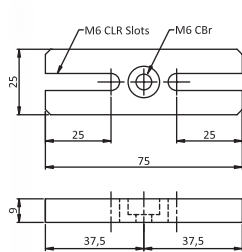
Enclosures help to suppress disruptive acoustic energy and dust from reaching optics mounted on optical table, improve reconstruction brightness, permit longer exposures and reduce laser power requirements. The top panel is magnetically attached and can be easily removed. Please contact us for details.

Post Bases

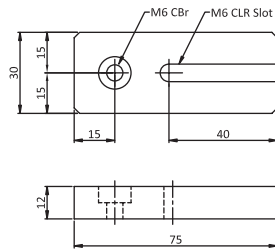
Post base is used to mount a post holder anywhere on a breadboard irrespective of the position of tapped holes. These are made of aluminium alloy and given black anodized finish. Mounting slots are suitable for M6 screws.



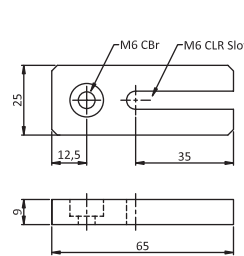
Model No:	Type	Suitable Post Series	Size (mm)
PB - 1850	C - Shaped	12 mm	18 x 50 x 9
PB - 1865	H - Shaped	12 & 16 mm	18 x 65 x 9
PB - 6525	U -Type	12 mm	65 x 25 x 9
PB - 7530	U -Type	12 & 16 mm	75 x 30 x 9
PB - 7525	H-Type	12 & 16 mm	75 x 25 x 9
PB - 9030	H-Type		90 x 30 x 9
PB - 6550	Square-Type		65 x 50 x 9



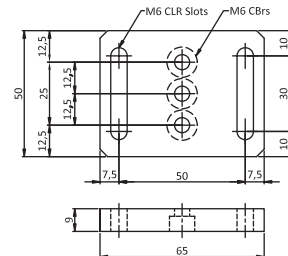
PB-7525



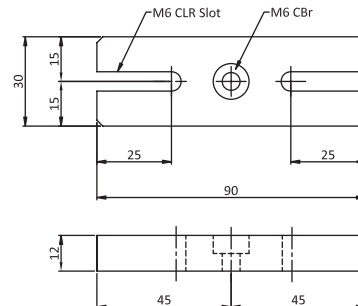
PB-7530



PB-6525



PB-6550



PB-9030



Magnetized Post Bases

Magnetized base plates have NdFeB magnetic buttons at the base. Other specifications are the same as that of normal post bases.

Model No:	Type	Suitable Post Series	Size (mm)
MPB - 1850	C - Shaped		18 x 50 x 9
MPB - 1865	H - Shaped		18 x 65 x 9
MPB - 6525	U -Type	12 mm	65 x 25 x 9
MPB - 7530	U -Type	12 & 16mm	75 x 30 x 9
MPB - 7525	H-Type	12 mm	75 x 25 x 9
MPB - 9030	H-Type	12 & 16 mm	90 x 30 x 9
MPB - 6550	Square-Type	12 & 16 mm	65 x 50 x 9

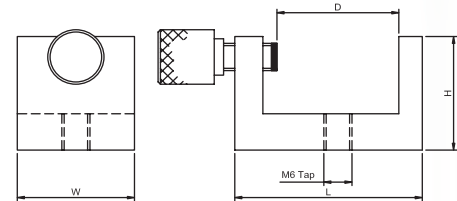


CLAMPS

C - Type Clamps

C - Type clamps are used for holding rectangular or cylindrical objects rigidly. The objects can be held in position by adjustable screws.

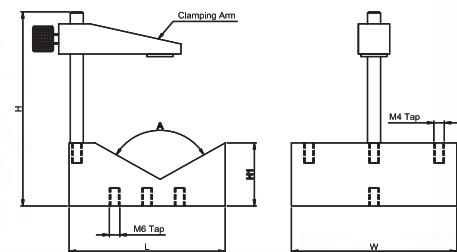
Model	D	L	W	H
C-TC-12	12mm	25mm	19mm	17mm
C-TC-25	26mm	40mm	25mm	25mm
C-TC-50	51mm	70mm	50mm	33mm



V - Type Clamps

V-Type clamps are used for holding rectangular or cylindrical objects rigidly. Three basic models are available to suit various object sizes.

Model	L	W	H	H1	A
V-TC-12	30.5mm	19mm	48mm	17mm	90°
V-TC-25	40mm	25mm	55mm	40mm	90°
V-TC-50	60mm	63.5mm	77mm	25mm	120°



POST MOUNTING SYSTEM - BASE PLATE

Pedestal Bases

Pedestal Bases are of diameter 75mm, with standard M6 mounting hole at the center for fixing posts or post holders. The thickness of the base is 15mm. Magnetic pedestal base Model : IDBM-75 has NdFeB permanent magnet while IDB75 model is without magnet.

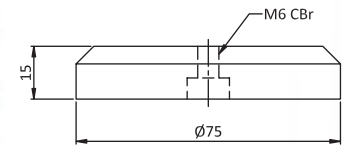
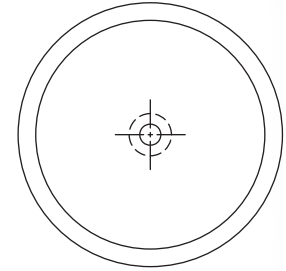
Model No:	Size (mm)	Type
IDB - 75	Dia - 75 x 15	Without magnets
IDBM - 75	Dia - 75 x 15	NdFeB permanent magnets

IDB - 75

- ▶ Non magnetic stainless steel
- ▶ M6 CBR mounting hole

IDBM - 75

- ▶ Aluminium alloy
- ▶ NdFeB magnets
- ▶ M6 CBR mounting hole



Switchable Magnetic Post Bases

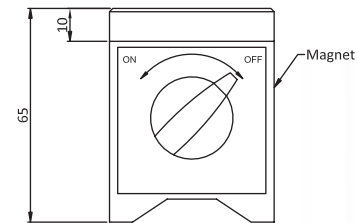
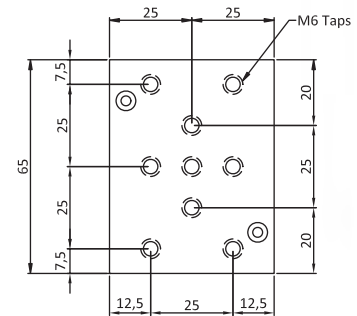
These bases come with a switchable magnet for ease of positioning of optical components. To ensure stability, bottom mounting surface is given ground finish.



Model No:

MB - 50

- ▶ Aluminium platform
- ▶ 10kgs. of magnetic clamping force
- ▶ Machined finish
- ▶ M6 tapped holes on 25mm grid
- ▶ 65 x 50mm mounting area



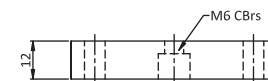
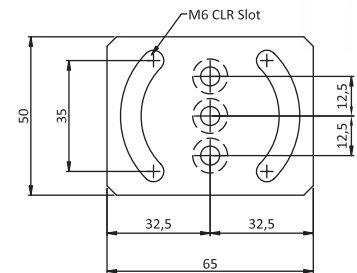
Radial Slotted Base Plate



Radial slotted post base helps to fix a post or a post holder at a convenient horizontal angle on the breadboard. It is compatible with our standard 12mm and 16mm series post holders.

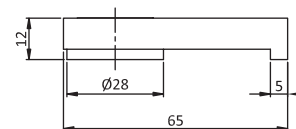
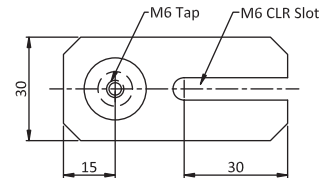
Magnetized base plates have NdFeB magnetic buttons at the base. Specifications are the same as that of normal non magnetic model.

Model No:	Type	Suitable Post Series	Size (mm)
PBS - 6525	Square Type	12 mm	65 x 50 x 9
MPBS - 6565	Square type - Magnetized	12 & 16 mm	65 x 50 x 9



Swivel Post Base

This is a 360 degree rotatable post base compatible with our standard 12mm and 16mm diameter post holders. Swivel post base is suitable for spatially restricted optical setups. We can directly mount post, post holder or a pillar post by M6 x 12mm SHC screw on this swivel post base



- ▶ Aluminium alloy
- ▶ Black anodized finish
- ▶ 12mm thickness
- ▶ 360 degree rotatable
- ▶ M6 clearance slot
- ▶ M6 C'bored hole

Model No:
PB - SW - 30

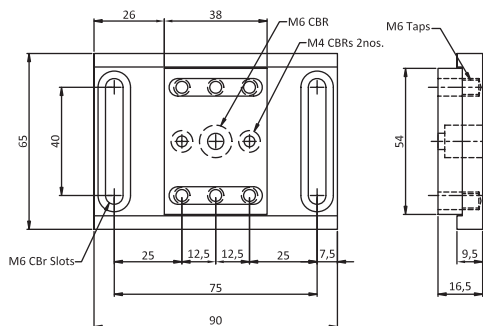
XY Post Base

XY Post bases are suitable for our standard 12mm and 16mm diameter post systems. These post bases can be adjusted through 25mm in XY direction. We can easily fix post holder using an M6x12 SHC screw.



XY post base with magnetic button to position on optical tables/ breadboards are also available.

- ▶ Aluminium alloy
- ▶ Black anodized finish
- ▶ 16.5mm thickness
- ▶ 25mm in X and Y
- ▶ M6 clearance slot
- ▶ M6 & M4 C'bored hole
- ▶ Button magnet (in Magnetic XY Post Base)



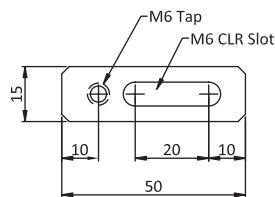
Type	Size
PB - XY - 50	90 X 65 mm
MPB - XY - 50	90 X 65 mm



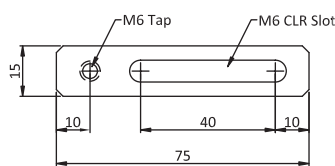
Table Clamps

We can relaunch a base mounted system on an optical set up using a set of table clamps. Stages or components without mounting holes can as well be fixed using these table clamps.

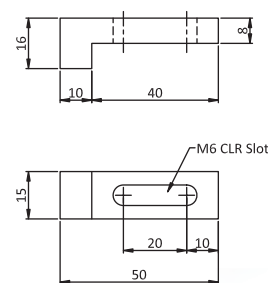
Model No:	Size (mm)	Type
TC - 35	35 x 15 x 6	Small Type
TC - 50	50 x 15 x 9	Slotted
TC - 75	75 x 15 x 9	Slotted
L - TC - 50	50 x 15 x 16	L Shaped



TC-50



TC-75



L-TC-50



Opto Mechanical Kit-12mm Post System

OMK-01 Kit contains all commonly used posts, post bases, post collars, post clamps, table clamps etc. OMK-01 contains 185 components. This kit provides more flexibility while you are setting up an optical set up due to the variety of components in a single package. Components are kept in separate labelled containers for safe storage

- ▶ 12mm post system
- ▶ Stackable containers
- ▶ Packed in labeled container
- ▶ 185 mounting components

Model No:
OMK - 01

Model No:	Description	Qty
P-30	12mm dia post - 30mm long	10
P-40	12mm dia post - 40mm long	10
P-50	12mm dia post - 50mm long	10
P-75	12mm dia post - 75mm long	10
P-100	12mm dia post - 100mm long	10
P-150	12mm dia post - 150mm long	5
PH-30	Post holder for 12mm dia post-30mm long	10
PH-50	Post holder for 12mm dia post-50mm long	10
PH-75	Post holder for 12mm dia post-75mm long	10
PH-100	Post holder for 12mm dia post-100mm long	10
PH-150	Post holder for 12mm dia post-150mm long	5
PB-6525	Post base	10
PB-7525	Post base	10
PB-6550	Post base	10
RAC-12	Right Angle Post Clamp	10
SWPC-12	Swivel Type Post Clamp	5
L-TC-50	L Shaped Table Clamp	10
PC-12	Post collar	15
PPA-PG-12D	Pedestal Adapter for PH Series Post holder	5
PF-25	Pedestal fork for PKG 20 Pedestal Adapter	10



TABLE OF CONTENTS

001

OPTICAL TABLES, BREADBOARDS, RAILS & CARRIERS

030

OPTOMECHANICS

117

UV-VIS-IR OPTICS

157

POSITIONING DEVICES

230

ANALYTIC INSTRUMENTS

OPTO MECHANICAL ACCESSORIES



HOLMARC



'P' Series
12mm
diameter Post

'PH' Series
Post holder

Post Base
PB-6525

Post Base
PB-7525

Swivel Post Clamp
SWPC-12

Post Base
PB-6550

Post Collar
PC-12

L Shaped
Table Clamp
L-TC-50

Right Angle
Post Clamp
RAC-12

Pedestal Adapter
PPA-PG-12D

PEDESTAL SYSTEM

HOLMARC

Pedestal Post

Pedestal posts are of 25mm diameter with precision ground finish. Both ends of the pedestal post are tapped suitable for M6 screws. A 3.6mm diameter hole is provided on the surface of the post for providing extra torque while tightening components on it. We can use 3.5mm allen key or a screwdriver with less than 3.6mm diameter for tightening. Pedestal fork PF 25 is suitable for pedestal posts.



Model No:	Height (mm)
PP - 5	05
PP - 10	10
PP - 12	12
PP - 20	20
PP - 25	25
PP - 50	50
PP - 75	75
PP - 100	100

We can fix devices with M4 mounting hole by M6-M4 Adapter



- ▶ Stainless steel
- ▶ Compatible fork, PF-25
- ▶ M6 mounting holes

Pedestal Shims



Pedestal shims are used to maintain desired height of an optical set up while using pedestal system. Construction material is stainless steel. M6 tapped holes are provided for PS-25 and PS-20. A 6.5mm clear hole is provided on other models for M6 set-screw.

Model No:	Thickness (mm)	Min. Order Qty
PS - 0.1	0.1	100
PS - 0.2	0.2	100
PS - 0.5	0.5	25
PS - 1	1	15
PS - 1.5	1.5	15
PS - 2	2	15
PS - 5	5	5
PS - 10	10	1
PS - 20	20	1
PS - 25	25	1



Steel Clamping Forks

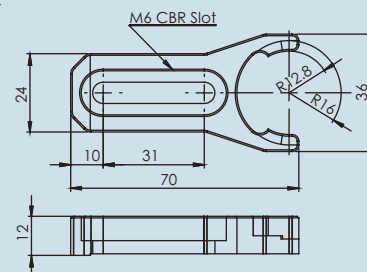
Pedestal Fork

Pedestal Fork, PF-25 is constructed in stainless steel. These forks can be used to fix pedestal post holder, post holder with suitable pedestal adapter or pedestal post to a breadboard or optical table.

HOLMARC

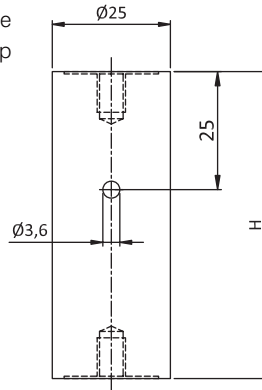
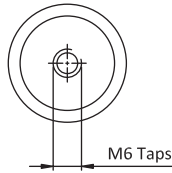
- ▶ Stainless steel construction
- ▶ Machined finish
- ▶ 5mm disc thickness
- ▶ Suitable for pedestal posts

Model : PF - 25



Pillar Post

PLP series stainless steel pillar posts are designed to construct rigid structures in various heights. Diameter of the pillar post is 25mm with precision ground finish. Both ends of the pillar post are tapped suitable for M6 screw. A 3.6mm diameter hole is provided on the surface of the post for providing extra torque while tightening components on it. We can use 3.5mm allen key or a screwdriver with less than 3.6mm diameter for tightening. By using pedestal adapter PPA-PG-12D and pedestal fork PF 25 we can fix the pillar post to the base plate. Pedestal shims can be used to raise height with 0.1mm increment while setting up optical experiments.

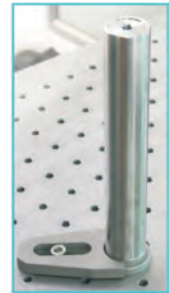


PPA-PG-12D can be used as pedestal adapter for post holders and pillar posts



- ▶ Stainless steel
- ▶ Compatible with PPA-PG-12D adapter
- ▶ Compatible fork, PF-25
- ▶ M6 Mounting holes
- ▶ Compatible with shims

Model No:	Height (mm)
PLP-30	30
PLP-38	38
PLP-50	50
PLP-75	75
PLP-100	100
PLP-150	150
PLM-200	200
PLP-250	250
PLP-300	300



25 mm diameter pillar post holder



PLPH series pillar post holders are compatible with PLP series pillar posts. We can fix these post holders to optical table, post base or pedestal adapter with fork using M6 tapped hole at the bottom of post holder



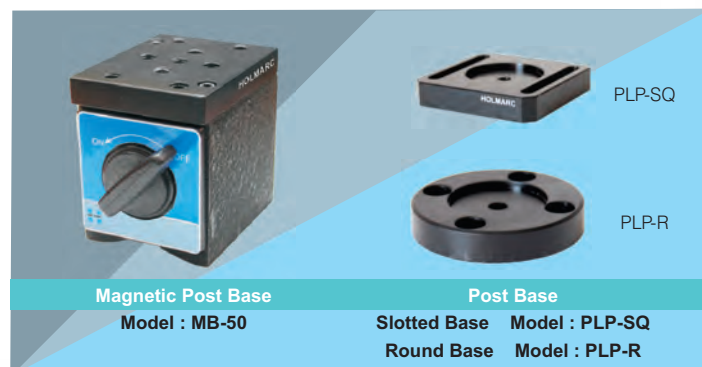
- ▶ Aluminium alloy construction
- ▶ Inner Diameter : 25mm Outer Diameter : 38 mm
- ▶ Post tighten by M6 metal screw knob from three sides
- ▶ M6 Mounting Hole
- ▶ Compatible with PP-38 Adapter and PF-38 Fork

Model No:	Suitable post series
PLPPH-50	50
PLPPH-75	75
PLPPH-100	100
PLPPH-150	150

Pillar Post Base

Pillar post bases are made of aluminium with black anodized finish. They are suitable for fixing pillar posts to a metric breadboard

Model No:	Size	Type
MB-50	65x50mm	Magnetic
PLP-SQ	65x65mm	Square-small
PLP-R	Dia-65mm	Circular-small

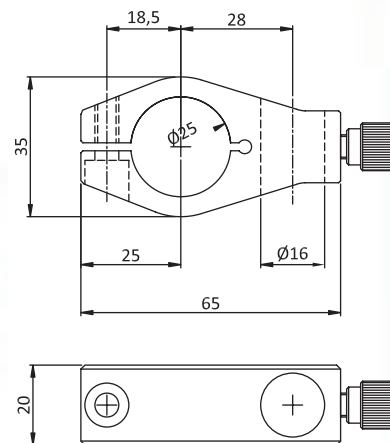


Right Angle Post Clamp

Two types of RAC series, right angle post clamps are available. Model: RAC-2512 can accommodate 25mm diameter pillar post and 12mm diameter post in right angle. Model: RAC-2516 can accommodate 25mm diameter pillar post and 16mm diameter post in right angle.

Model No:
RAC-2512
RAC-2516

- ▶ Aluminum alloy
- ▶ Black anodized finish
- ▶ Suitable for 12mm or 16mm post series

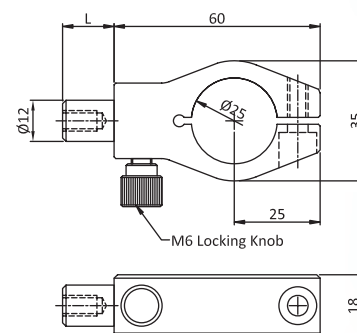


Pedestal Post Clamp-Rotatable

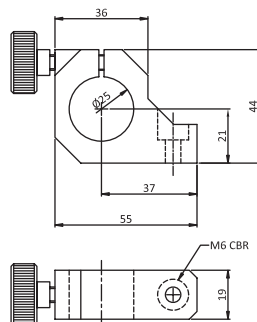
PLC-25 model Pedestal post clamp is suitable for PLP pillar posts or pedestal posts. Optic mounts can be held by the rotatable rod provided on it and locked by M6 knob.

Model No:	Thread
PLC - 25	M6

- ▶ Aluminum alloy
- ▶ Rotatable M6/M4 threaded post
- ▶ M6 Rotation locking knob
- ▶ Black anodized finish



Pedestal Post Clamp



Model : PPC-25

Pedestal post clamps are designed to be used with pedestal posts. It can be clamped anywhere on the post for mounting other components.

- ▶ Aluminum alloy
- ▶ M6 Locking knob
- ▶ Black anodized finish

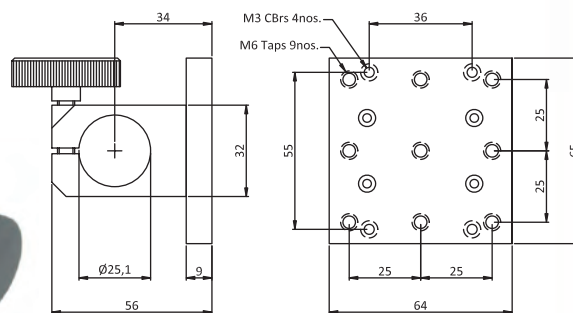


Pillar Post Clamp

Model : LPC - 1

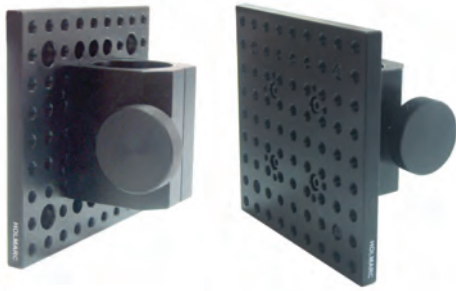


Model No:LPC-1 pillar post clamp, made in aluminium with black anodized finish, can be used for building rigid elevated structures or for fixing a component or sub-assembly at a height. The inside diameter of the clamp is suitable for pillar post or pedestal post. M6 and M4 tapped holes are provided on the front surface for fixing Holmarc's standard components directly.



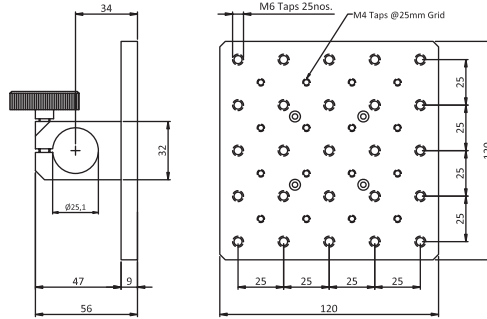
- ▶ Aluminum alloy
- ▶ Black anodized finish
- ▶ Suitable for 12mm or 16mm post series

Large Post Clamp Plates

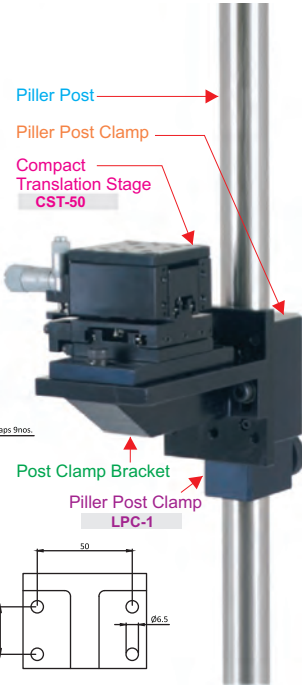


- ▶ Aluminum alloy
- ▶ Black anodized finish
- ▶ Suitable for 12mm or 16mm post series

Model No:	Size
LPC - 2	120 x 120 x 9mm



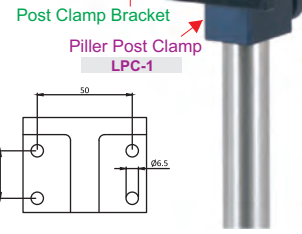
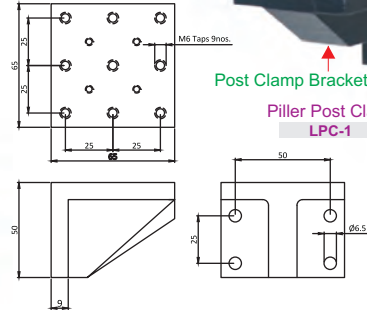
Large post clamp plate is suitable for pillar post. Construction material of large post clamp is aluminium and given black anodized finish. M6 tapped holes are provided on the surface for mounting optical components



Post Clamp Bracket

Model No : PCB - 65

Post Clamp Bracket is suitable for mounting commoners or sub-assemblies in a horizontal plane. This bracket is suitable for both LPC-1 & LPC-2 model pillar post clamps. The mounting area is 65 x 65mm.

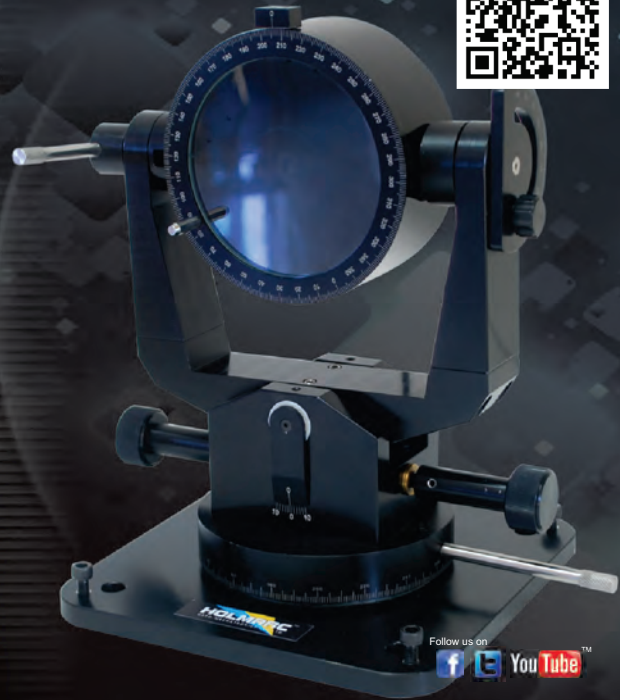


Optical Mounts

HOLMARC offers a wide range of Optical Mounts suited for different mounting needs that grant significant customization potential for any optical application. They are used to mount or position optical components including optical filters, optical lenses, prisms, polarizers, or laser assemblies for a range of optical applications. Optics Mounts are mounting components that use a number of securing methods such as bar, ring, kinematic, or gimbal to safely hold optical components without risk of damage or unwanted movement. Optical Mounts are essential additions to any optical system or application by providing the means to position components for effective implementation.

Try our **Custom Designs** for inspiration and send us your technical requirement and drawings at sales@holmarc.com

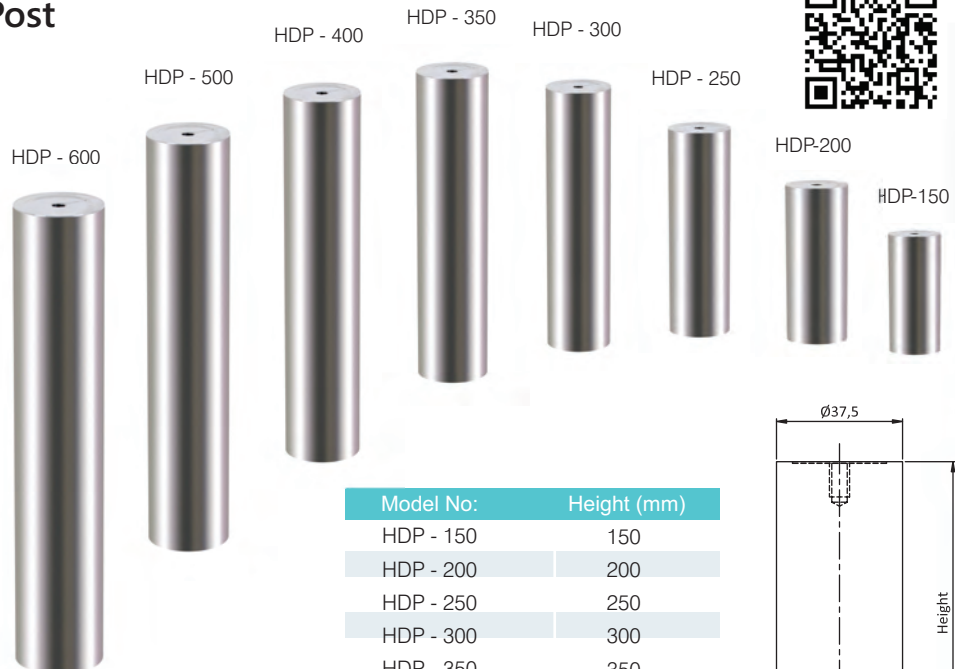
Manufactured by
HOLMARC OPTO-MECHATRONICS PVT. LTD



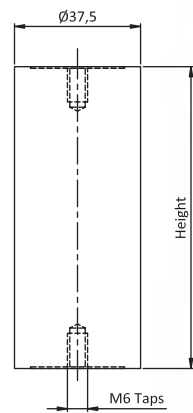
HEAVY DUTY POST SYSTEMS

Damped Heavy Duty Post

Damped heavy duty posts are used for building elevated structures & elevated platforms to fix opto-mechanical mounts, tube lasers with suitable laser mounts etc. Most of the opto- mechanical mounts are provided with mounting holes for fixing it to the clamps of this post system. The diameter of the post is 37.5mm and tolerances are kept within 0.1mm. Damped heavy duty posts are made from machined and ground stainless steel pipes filled with semi-solid epoxy. This design makes them light weight, still rigid and sturdy. Epoxy filling damps vibrations. M6 tapped holes are provided for mounting purpose.

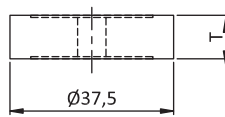
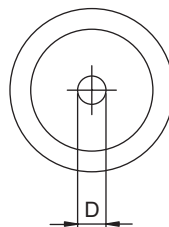


Model No:	Height (mm)
HDP - 150	150
HDP - 200	200
HDP - 250	250
HDP - 300	300
HDP - 350	350
HDP - 400	400
HDP - 500	500
HDP - 600	600



Post Spacer

Post spacers are designed to act as shims/spacers while assembling heavy duty posts to adjust height with resolution of 0.1 mm . These spacers are made in stainless steel with ground finish at ends. M6 tapped holes are provided for HDPS-20, HDPS-25 and HDPS-50 while other models are drilled with 6.5mm clear hole for M6 set-screw.

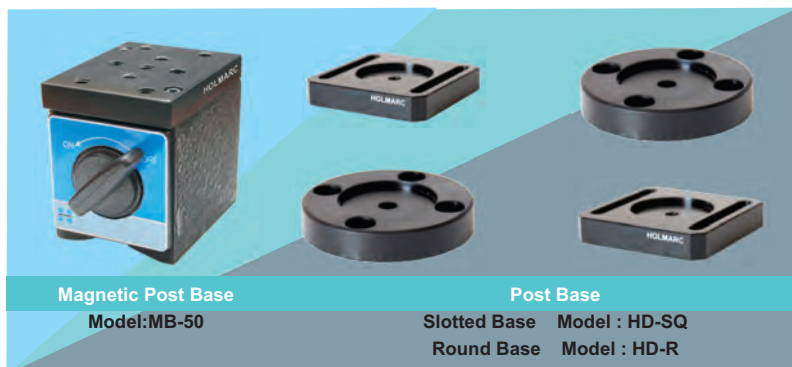


Model No:	Thickness (mm)	Min. Order Qty	Diameter D
HDPS - 0.1	0.1	100	6.5mm
HDPS - 0.2	0.2	100	6.5mm
HDPS - 0.5	0.5	25	6.5mm
HDPS - 1	1	15	6.5mm
HDPS - 1.5	1.5	15	6.5mm
HDPS - 2	2	15	6.5mm
HDPS - 5	5	5	6.5mm
HDPS - 10	10	1	6.5mm
HDPS - 20	20	1	6.5mm
HDPS - 25	25	1	M6 tap Both Ends Depth-6mm
HDPS - 50	50	1	M6 tap Both Ends Depth-6mm

Heavy Duty Post Base

Heavy duty post bases are made of aluminium with black anodized finish. These are suitable for fixing heavy duty posts to a metric breadboard

Model No:	Size	Type
MB-50	65x50mm	Magnetic
HD-SQ	65x65mm	Square-small
HD-R	Dia-65mm	Circular-small
HD-SQ90	90x90mm	Square-Big
HD-R90	Dia-90mm	Circular-Big



Magnetic Post Base
Model:MB-50

Post Base
Slotted Base Model : HD-SQ
Round Base Model : HD-R

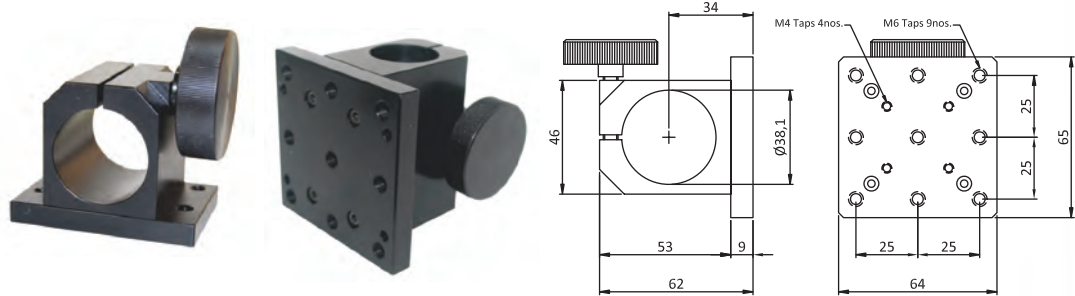
MOUNTING CLAMPS

Several types of mounting clamps are available for heavy duty post system. These mounting clamps are suitable for mounting opto mechanical devices of various sizes and shapes. Suitable holes are provided in common pattern for mounting laser mounts, mirror or beamsplitter mounts, breadboards, 90degree brackets, filter wheels etc. Details are described on respective pages.



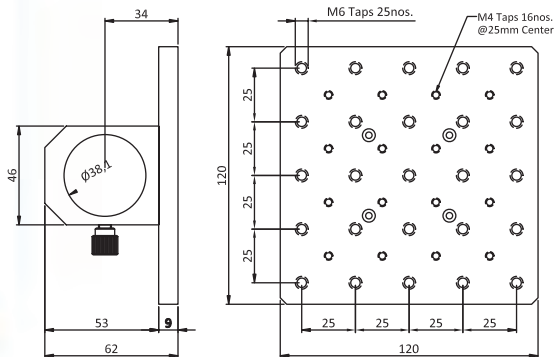
Mounting Clamp - Model : C - HDP

These are used along with heavy duty posts for achieving a vertical mounting surface. For model C-HDP mounting surface is 65 x 65mm. M6 and M4 tapped holes are provided on 25mm grid on the surface.

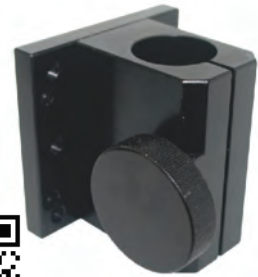


Large Mounting Clamp

These are used when a large mounting surface is required on heavy duty posts. Size of mounting surface is 120x120mm. M6 and M4 mounting holes are provided on 25 mm grid. Construction material is aluminium and given black anodized finish.



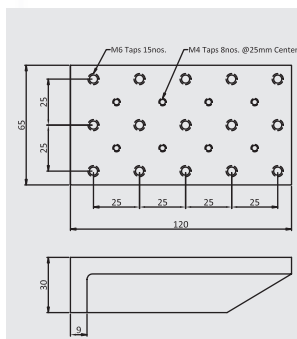
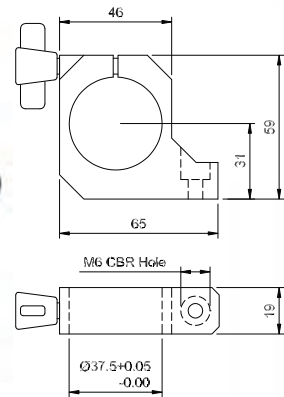
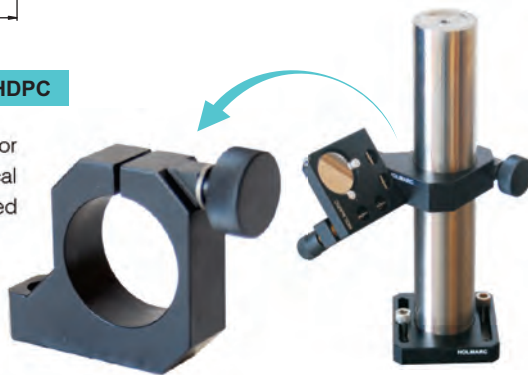
- Model : EL - HDP - C**
- ▶ Aluminum alloy
 - ▶ Suitable for Heavy duty posts
 - ▶ Black anodized finish
 - ▶ M6 and M4 tapped holes



Compact Post Clamp Model : CT-HDPC

This post clamp is useful to attach an optical mount (mirror mount or laser mount) to a heavy-duty post. The optical mount can be fixed at various angles using knurled clamping knob.

- ▶ Aluminium alloy
- ▶ Black anodized finish
- ▶ M6 mounting holes



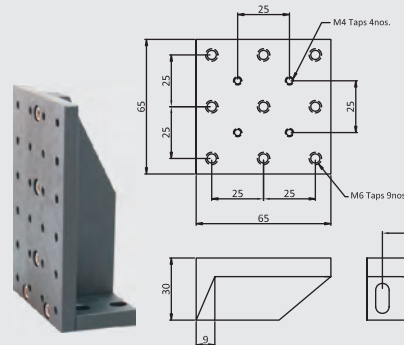
Right angle bracket, Model No: ABC120

This is suitable for mounting components in horizontal direction. Construction material is aluminium with black anodized finish.

Model : ABC-120

Accessories

Model : ABC-65



Model No	Name	Suitable Clamp Type
ABC - 65	Right angle Bracket	Mounting clamp
ABC - 120	Right angle Bracket	Large Mounting Clamp

Dual Rod System



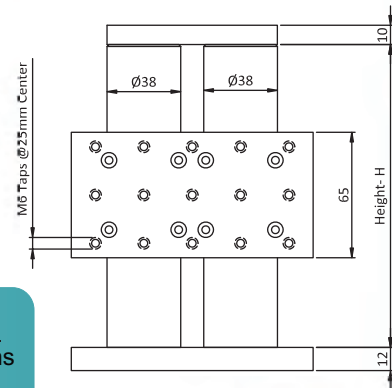
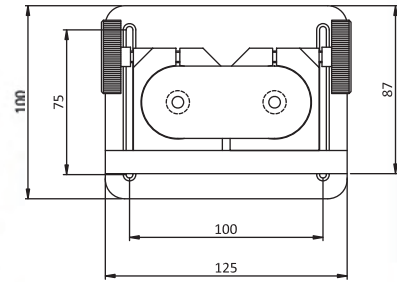
The device consists of two damped heavy duty posts (HDP Series) assembled using two aluminium plates at top and bottom. Bottom plate has M6 clearance slots to clamp it to optical breadboards and tables.

The sliding member carries a mounting plate with M6 tapped holes. Use of two heavy duty posts, makes them rigid and sturdy for mounting heavy components/sub-assemblies.

Model No:	Height (mm)
DRS - 300	325
DRS - 500	525
DRS - 800	825



- ▶ Aluminum alloy
- ▶ Black anodized finish
- ▶ M6 mounting holes



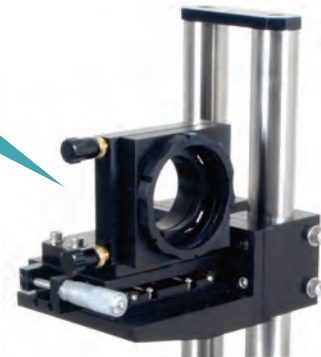
Additional Mounting clamps available for two or more set platforms on a dual rod system.

Model No:C-BRS
(Mirror Mounts Sold Separately)

Right Angle Bracket

Suitable for mounting components in horizontal direction. Construction material is aluminium with black anodized finish.

Model No:AB-BRS
(Mirror Mounts Sold Separately)



HOLMARC provides
Telescopic Primary
Spherical or
Parabolic
mirrors with custom
sizes and design.

HOLMARC OPTICS
sales@holmarc.com, optics@holmarc.com

Holmarc offers Primary Concave Mirrors of different diameter (upto 360mm) and focal length with protective Aluminium/UV enhanced Aluminium coating. These primary mirrors are ideal for using in LIDAR and reflecting telescopes. All primary mirrors are made from Schott Borofloat material.



Point your camera
Phone at the QR Code

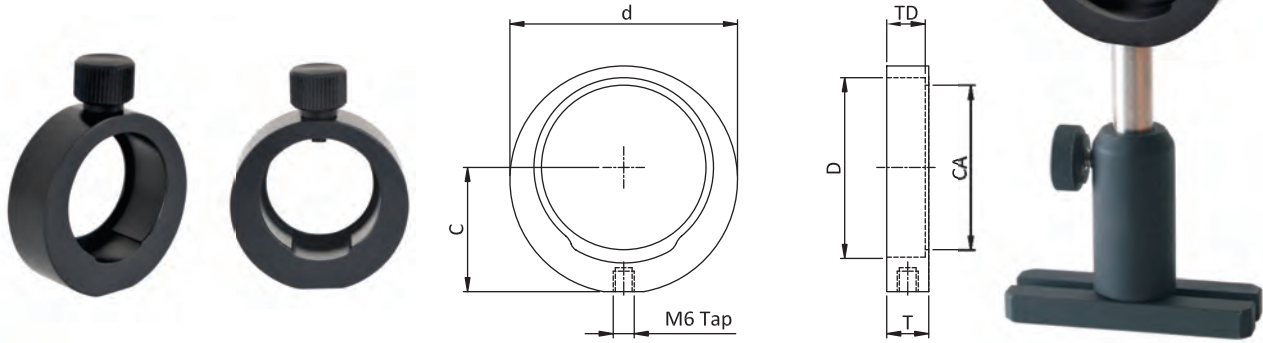
Send us your technical requirement and
drawings at sales@holmarc.com

MIRROR & BEAM SPLITTER MOUNTS

Rigid Mirror Mounts



RMM Series rigid mirror mounts are post mountable. Optics is held by nylon tipped set screw in a 3 point contact stepped bore of the device. Rigid mirror mounts are manufactured from aluminium alloy 6061 grade and given black anodized finish. M6 mounting hole is provided for post mounting applications.



Model No:	Optics Size D	C	d	TD	CA	T
RMM - 12.5	12.5mm or 0.5"	13.5	24	9	11	10
RMM - 25	25mm or 1"	21.5	38	11	23	12
RMM - 38	38mm or 1.5"	27	50	11	35	12
RMM - 50	50mm or 2"	35.5	65	11	47	12
RMM - 75	75mm or 3"	49.5	90	14	72	16

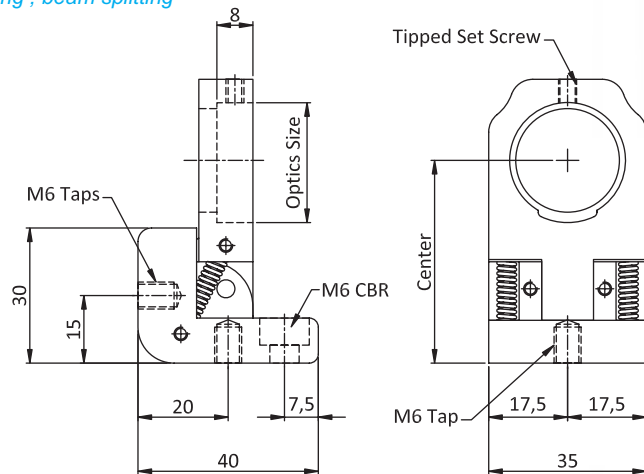
Rigid Flip Mount

Rigid Flip Mirror Mounts can be used for sudden entry of a mirror or beam splitter in an optical path by flipping action. These mounts assures precise positioning and repeatability.



Model No:	Optics Size	Center Height
FLRMM - 12.5	12.5mm or 0.5"	38
FLRMM - 25	25mm or 1"	45
FLRMM - 50	50mm or 2"	60

>> Can be used for
beam tapping, beam sampling
beam sharing, beam splitting



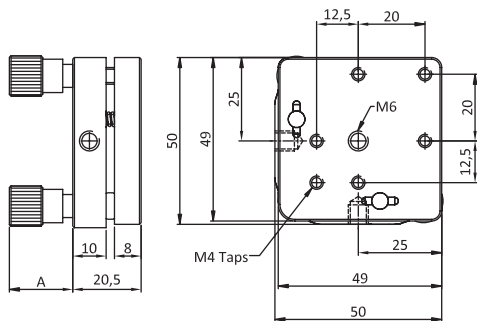
Plain Mirror Mounts-MM SERIES



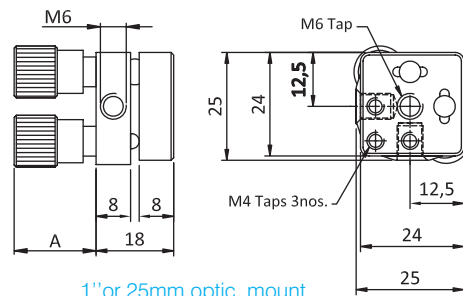
Front surface of the mount is plain. Optics can be fixed to the front surface of the mount using adhesive. Two types of plane mirror mounts are available. MM-AK-T series mounts provide translation in addition to tilting. This type of mount has three lead screws, two of them for tilting and third one for translation. Concentric M4 CBR holes and M6 tapped holes are provided at two adjacent sides for vertical mounting of mirror mount. One M6 mounting hole is provided at the back plate for horizontal mounting in prism mounting applications.

Specifications

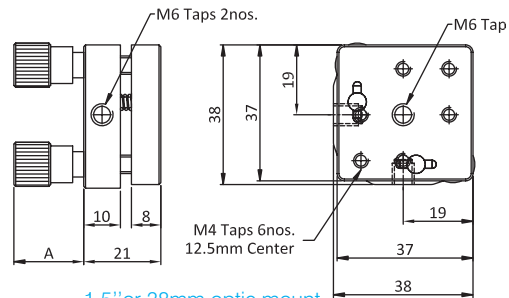
Angular Tip / Tilt	: +/- 3°
Translation Range	: 6mm (Selected Models Only)
Linear Resolution	: 0.25mm (100 Tpi)
Sensitivity	: 4 arc sec.
Mounting Hole	: M6
Mounting Orientation	: Vertical & Horizontal
Material	: Aluminium



2" or 50mm optic mount



1" or 25mm optic mount



1.5" or 38mm optic mount

Accessories

Slotted post mounting base plate for MM Series Mirror mounts



Refer Page 067

Optic Size	AK series	CS series	Mu series	Optics Size	Mounting Hole
25mm or 1"	A-1.5	A-17±3	A-24.5±3	25 mm or 1"	M6
38mm or 1.5"	A-1.5	A-19±3	A-24.5±3	50mm or 2.0"	M6
50mm or 2"	A-1.5	A-19±3	A-24.5±3		
	Model No:	Model No:	Model No:		
	MM-AK-25	MM-CS-25	MM-MU-25		
	MM-AK-50	MM-CS-50	MM-MU-50		
	Plane Mirror Mount with Translation				
	MM-AK-T-25	MM-CS-T-25	MM-MU-T-25	25 mm or 1"	M6
	MM-AK-T-50	MM-CS-T-50	MM-MU-T-50	50mm or 2.0"	M6

Kinematic Mount For Rectangular Optics-KMR SERIES

In KMR series mirror or beam splitter mounts, optics is held in a square pocket machined in the tilting plate of the mount. Nylon tipped soft set-screws are used to tighten the optics in this pocket. Back plate is L shaped. We can use beam splitter, mirror, filter etc. along with this mount.

Two types of KMR series mirror or beam splitter mounts are available. KMR - AK - T series mounts provide translation in addition to tilting in two axis.

Specifications

Angular Tip / Tilt	: +/- 3degree
Translation Range	: 6mm (Selected Models Only)
Linear Resolution	: 0.25mm (100 Tpi)
Sensitivity	: 4 arc sec.
Mounting Hole	: M6 Tapped/M4 CBR
Mounting Orientation	: Vertical & Horizontal
Material	: Aluminium

Accessories

3mm allen key knob
for lead screw
Model No. ALK-3



Accessories

Slotted post mounting
base plate for KMR
Series mirror mounts

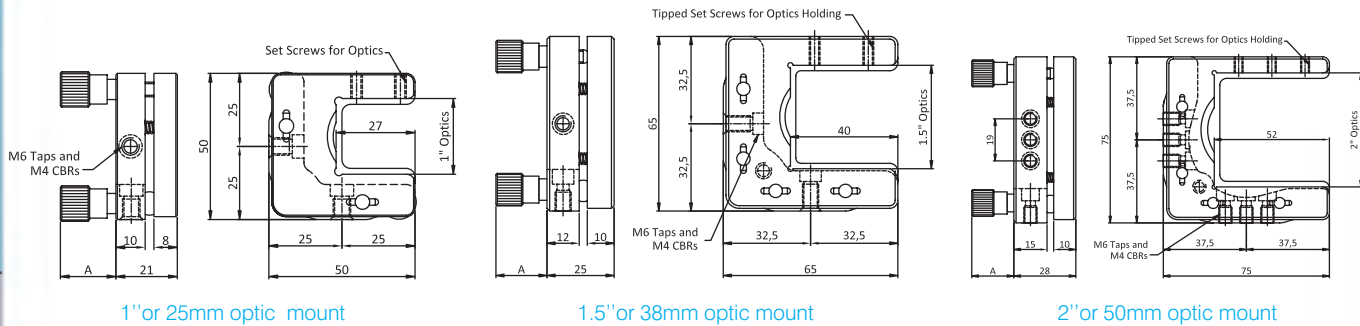
Refer Page No : 067



http://www.holmarc.com/kinematic_mount_for_rectangular_optics.php



Can be used for filter mounts, beamsplitter mounts, rectangular cylindrical lens mounts etc.



1" or 25mm optic mount

1.5" or 38mm optic mount

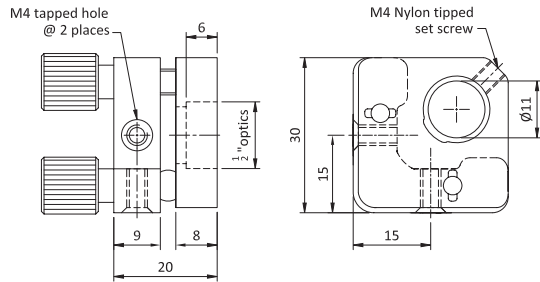
2" or 50mm optic mount

Optic Size	AK series	CS series	Mu series		
25mm or 1"	A-1.5	A-17±3	A-25.5±3	AK series - Allen Key Drive CS series - Covered Lead Screw Drive Mu series - Micrometer Drive	
38mm or 1.5"	A-1.5	A-19±3	A-25.5±3		
50mm or 2"	A-1.5	A-19±3	A-25.5±3		
	Model No:	Model No:	Model No:	Optics Size	Mounting Hole
	KMR-AK-25	KMR-CS-25	KMR-MU-25	25 mm or 1"	M6
	KMR-AK-38	KMR-CS-38	KMR-MU-38	38mm or 1.5"	M6
	KMR-AK-50	KMR-CS-50	KMR-MU-50	50mm or 2.0"	M6
Plane Mirror Mount with Translation					
	KMR-AK-T-25	KMR-CS-T-25	KMR-MU-T-25	25 mm or 1"	M6
	KMR-AK-T-38	KMR-CS-T-38	KMR-MU-T-38	38mm or 1.5"	M6
	KMR-AK-T-50	KMR-CS-T-50	KMR-MU-T-50	50mm or 2.0"	M6

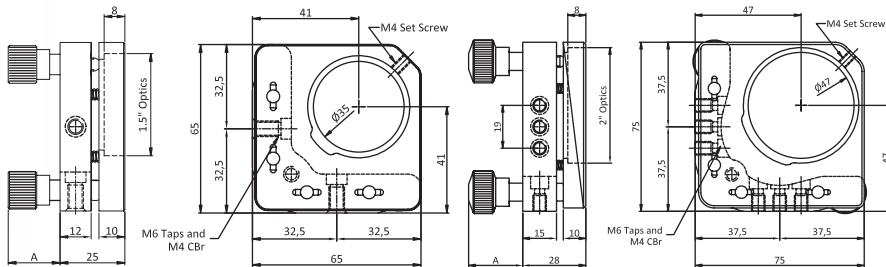
Kinematic Mount For Circular Optics-BM SERIES

Optics is mounted in a stepped bore at one corner with the help of nylon tipped set screw. Three drive choices are available in BM series mirror / beam splitter mounts

Specifications	
Angular Tip / Tilt	: +/- 3°
Translation Range	: 6mm (Selected Models Only)
Linear Resolution	: 0.25mm (100 Tpi)
Sensitivity	: 4 arc sec.
Mounting Hole	: M6 Tapped/M4 CBR
Mounting Orientation	: Vertical & Horizontal
Material	: Aluminum



1" or 25mm optic mount



1.5" or 38mm optic mount

2" or 50mm optic mount



Accessories Thin Optics Adapter

Thin optics adapters are suitable for mounting thin beam splitters, mirrors or filters on a threaded cell. 1mm to 3mm diameter optics can be held in thin optics adapter.

Refer Page no. : 064

Lens Cell Adapter

Suitable for Lens having edge thickness upto 10mm for more on lens adapters

Refer Page no. : 065



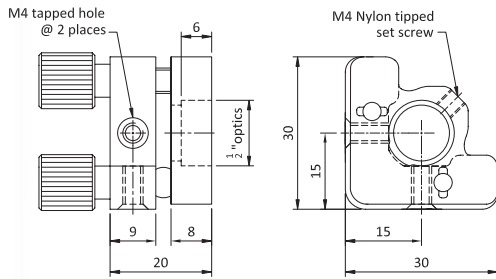
45 Degree Mirror Holder Refer Page no. 067 >>>

Suitable for fixing mirrors or beam splitters at 45°s on the kinematic Mount. Nylon tipped set screw is used for fixing the optics on to the adapter.

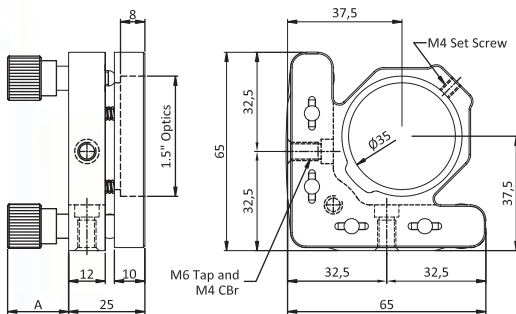


Optic Size	AK series	CS series	Mu series	AK series - Allen Key Drive	CS series - Covered Lead Screw Drive	Mu series - Micrometer Drive
25mm or 1"	A-1.5	A-19±3	A-25.5±3			
38mm or 1.5"	A-1.5	A-21±3	A-25.5±3			
50mm or 2"	A-1.5	A-23±3	A-25.5±3			
Model No:	Model No:	Model No:	Optics Size	Mounting Hole		
BM-AK-12.5	BM-CS-12.5	-	12.5 mm or 0.5"	M4		
BM-AK-25	BM-CS-25	BM-MU-25	25 mm or 1"	M6		
BM-AK-38	BM-CS-38	BM-MU-38	38mm or 1.5"	M6		
BM-AK-50	BM-CS-50	BM-MU-50	50mm or 2.0"	M6		
Mount with Translation						
BM-AK-T-25	BM-CS-T-12.5	-	12.5 mm or 0.5"	M4		
BM-AK-T-25	BM-CS-T-25	BM-MU-T-25	25 mm or 1"	M6		
BM-AK-T-38	BM-CS-T-38	BM-MU-T-38	38mm or 1.5"	M6		
BM-AK-T-50	BM-CS-T-50	BM-MU-T-50	50mm or 2.0"	M6		

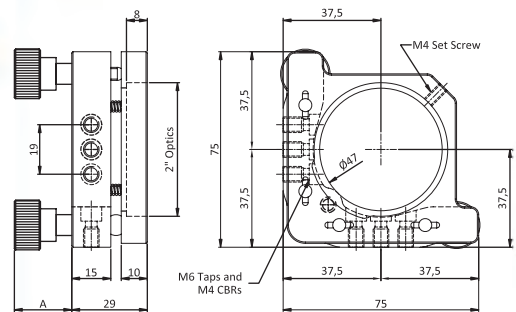
Kinematic Mount For Circular Optics-KMC SERIES



1" or 25mm optic mount



1.5" or 38mm optic mount



2" or 50mm optic mount



In KMC series Mirror / Beam splitter mount, optics is mounted at the center of the mirror mount. This mirror mount is suitable for circular mirrors, beam splitters, lenses etc.

Specifications

Angular Tip / Tilt	: +/- 3degree
Translation Range	: 6mm (Selected Models Only)
Linear Resolution	: 0.25mm (100 Tpi)
Sensitivity	: 4 arc sec.
Mounting Hole	: M6 Tapped/M4 CBR
Mounting Orientation	: Vertical & Horizontal
Material	: Aluminium

Accessories

Filp Base

Refer Page no : 003



45° Mirror Holder

Refer Page no : 064

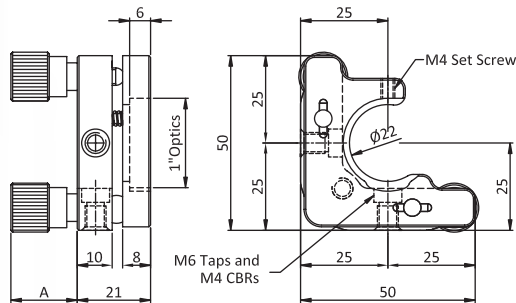
45-MM series 45° Mirror Mount Holders are suitable for mounting circular optics into the MM series and TAMM series kinematic mirror mounts



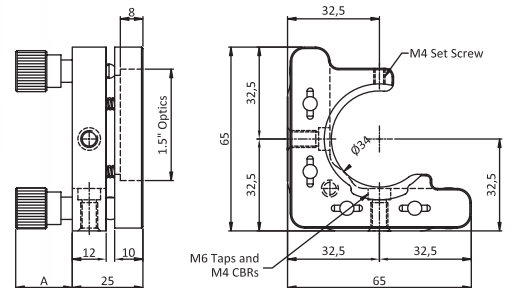
Optic Size	AK series	CS series	Mu series	Optics Size	Mounting Hole
25mm or 1"	A-1.5	A-19±3	A-25.5±3	12.5 mm or 0.5"	M4
38mm or 1.5"	A-1.5	A-21±3	A-25.5±3	25 mm or 1"	M6
50mm or 2"	A-1.5	A-23±3	A-25.5±3	38mm or 1.5"	M6
				50mm or 2.0"	M6
Mount with Translation					
				12.5 mm or .5"	M4
				25 mm or 1"	M6
				38mm or 1.5"	M6
				50mm or 2.0"	M6

AK series - Allen Key Drive
CS series - Covered Lead Screw Drive
Mu series - Micrometer Drive

Kinematic Mount With Maximum Aperture - **BMX SERIES**



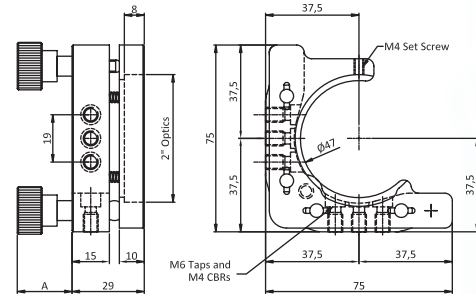
1" or 25mm optic mount



1.5" or 38mm optic mount

In BMX series maximum aperture mirror / beam splitter mount, optics is mounted at the center of the mount. Obstruction from the mount will be minimum. There is more freedom in setting up reflection or transmission angle.

Two types of BMX series mirror/beam splitter mounts are available. BMX - AK - T series mounts provide translation in addition to tilting in two axis.



2" or 50mm optic mount

Specifications

Angular Tip / Tilt	: +/- 3 degree
Translation Range	: 6mm (Selected models only)
Linear Resolution	: 0.25mm (100 Tpi)
Sensitivity	: 4 arc sec.
Mounting Hole	: M6 tapped/M4 CBR
Mounting Orientation	: Vertical & horizontal
Material	: Aluminium

CA-25 -RMS

25mm or 1 inch kinematic mount (any type) is suitable for this adapter. This has RMS threads to accommodate microscope objective. *Refer page 066*



CA-25- CM

25mm or 1 inch kinematic mount (any type) is suitable for this adapter. This adapter accepts C' mount lens assemblies. *Refer page 066*



Optic Size	AK series	CS series	Mu series	AK series - Allen Key Drive	CS series - Covered Lead Screw Drive	Mu series - Micrometer Drive
25mm or 1"	A-1.5	A-19±3	A-25.5±3			
38mm or 1.5"	A-1.5	A-21±3	A-25.5±3			
50mm or 2"	A-1.5	A-23±3	A-25.5±3			
	Model No:	Model No:	Model No:	Optics Size	Mounting Hole	
	BMX-AK-25	BMX-CS-25	BMX-MU-25	25 mm or 1"	M6	
	BMX-AK-38	BMX-CS-38	BMX-MU-38	38mm or 1.5"	M6	
	BMX-AK-50	BMX-CS-50	BMX-MU-50	50mm or 2.0"	M6	
	Mount with Translation					
	BMX-AK-T-25	BMX-CS-T-25	BMX-MU-T-25	25 mm or 1"	M6	
	BMX-AK-T-38	BMX-CS-T-38	BMX-MU-T-38	38mm or 1.5"	M6	
	BMX-AK-T-50	BMX-CS-T-50	BMX-MU-T-50	50mm or 2.0"	M6	

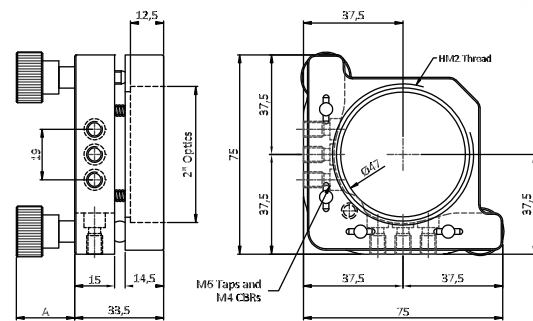
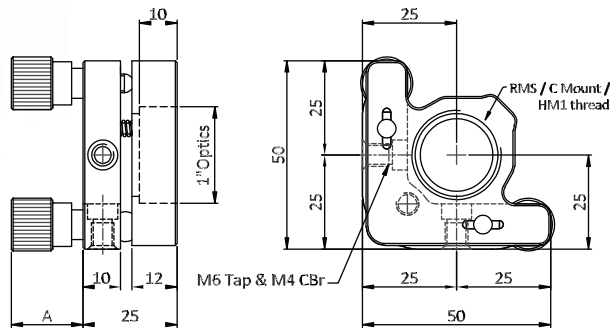
Kinematic Lens Mounts/Objective Lens Mounts

KLM series threaded type mounts are suitable for mounting Lenses, Microscope objectives, C mount microscopic objectives and camera lenses, lens tubes, condenser lens, beam expanders etc. In KLM series kinematic mounts, optics is held in the threaded bore by a threaded ring or suitable threaded optical components. This mount is post mountable type with M6 mounting hole at the bottom.

Model No:	Max. Optic Size. (mm)	Thread Type
KLM - 25	For 1"/25mm optics and 1"/25mm lens tubes	HM1
KLM - 50	For 2"/50mm optics and 2"/50mm lens tubes	HM2
KMMOH	For Microscopic Objectives	RMS thread
KLM - C	For Camera Lens or Microscopic Objective	C Mount thread

Mount with tilt and Translation

KLM - T - 25	For 1"/25mm optics and 1"/25mm lens tubes	HM1
KLM - T - 50	For 2"/50mm optics and 2"/50mm lens tubes	HM2
KMMOH-T	For Microscopic Objectives	RMS thread
KLM - T - C	For Camera Lens or Microscopic Objective	C Mount thread

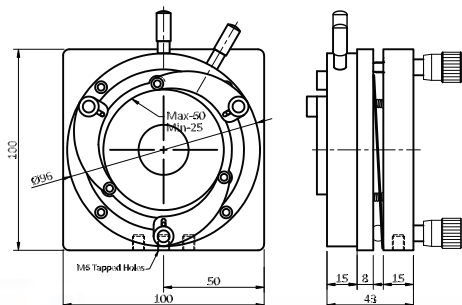


Specifications	
Angular Tip / Tilt	: +/- 3°
Translation Range	: 6mm (Selected Models Only)
Linear Resolution	: 0.25mm / Rotation (100 Tpi)
Sensitivity	: 4 arc sec.
Mounting Hole	: M6 / M4
Mounting Orientation	: Vertical & Horizontal
Optics Held in	: Threaded Bore with Ring
Material	: Aluminium

Kinematic Circular Optic Mount with adjustable jaw

Circular optics can be easily inserted and removed in this type of mounts. Self centering jaw provided in this model can secure optics up to 13 mm thickness in varying diameters of 6 to 60mm.

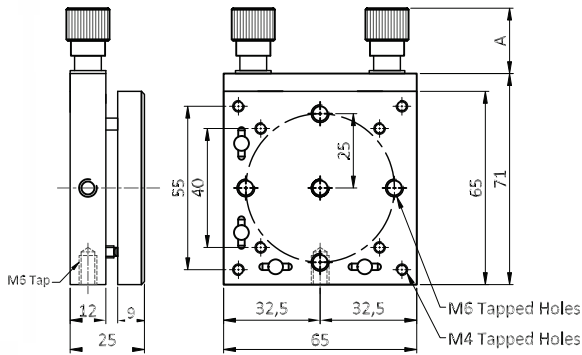
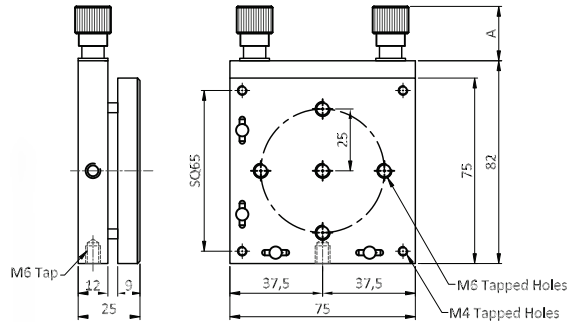
Model No:	Optic Size	Drive
KMC-SC60 CS	6mm to 60mm	100 TPI Leadscrew
KMC-SC60 Mu5	6mm to 60mm	100 TPI Micrometer



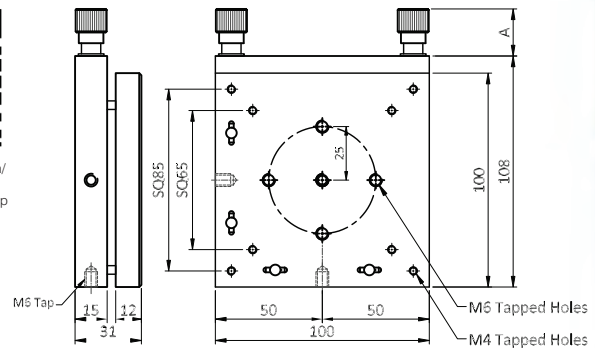
Specifications	
Maximum Optics Size	: Diameter 60mm x 13mm
Lead screw Pitch	: 100 TPI
Angular Tip / Tilt	: +/- 3°
Linear Resolution	: 0.25 mm
Sensitivity	: 4 arc sec.
Mounting Hole	: M6 Tapped / M4 CBR
Mounting Orientation	: Vertical & Horizontal
Optics Size	: Minimum 6mm Maximum 60mm
Optics Thickness	: 13mm Maximum
Drive	: 100 Micrometer / 100 TPI leadscrew

Top Adjustable Plane Mirror Mounts - TAPM SERIES

Top adjustable TAPM Series Mirror mounts are plane surfaced with center mounting tapped hole for circular adapter. These are also provided with mounting holes at corners for accommodating prism with suitable clamp. M6 tapped holes are provided on two adjacent sides for mounting in vertical direction. One M6 mounting hole is provided at the back plate for horizontal mounting in prism mounting applications



http://www.holmarc.com/top_adjustable_plane_mirror_mounts.php

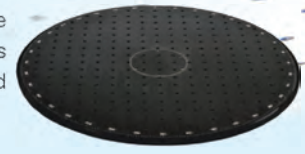


Specifications

Angular Tip / Tilt	: +/- 3°
Translation Range	: 6mm (Selected Models Only)
Linear Resolution	: 0.25mm (100 Tpi)
Sensitivity	: 4 arc sec.
Mounting Hole	: M6
Mounting Orientation	: Vertical & Horizontal
Material	: Aluminium

Make your Choice !!!

HBB series breadboards are available in various shapes, sizes and with custom patterns of tapped holes and marking. Refer Page 004



Optic Size	CS series	Mu series	Platform Size _e	Mounting Hole
25mm or 1"	A-17±3	A-24.5±3	65 x 65	M6
38mm or 1.5"	A-19±3	A-24.5±3		
50mm or 2"	A-19±3	A-24.5±3		
	Model No:	Model No:		
	TAPM-CS-65	TAPM-MU-50	75 x 75	M6
	TAPM-CS-75	TAPM-MU-75	100 x 100	M6
	TAPM-CS-100	TAPM-MU-100		

CS series - Covered Lead Screw Drive
Mu series - Micrometer Drive

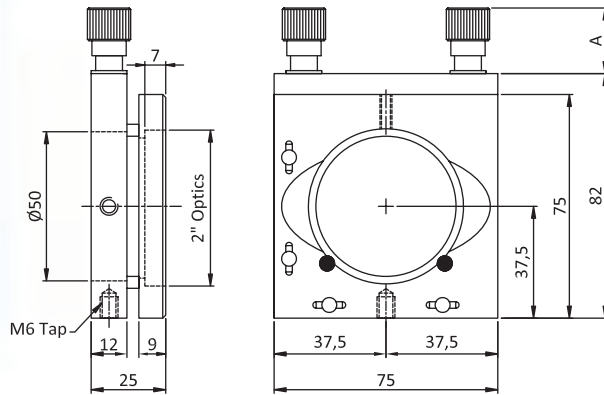
Top Adjustable Mounts - TABM SERIES



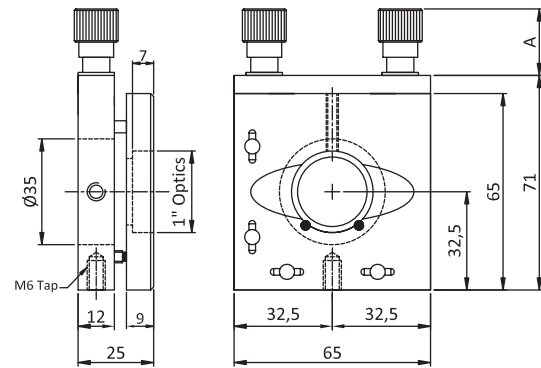
Top adjustable mount helps tilting of optics without causing any obstruction to the beam and takes less space compared to rear adjustable mirror mounts. Optics is held in a stepped bore and tightened by nylon tipped set screw.

Specifications

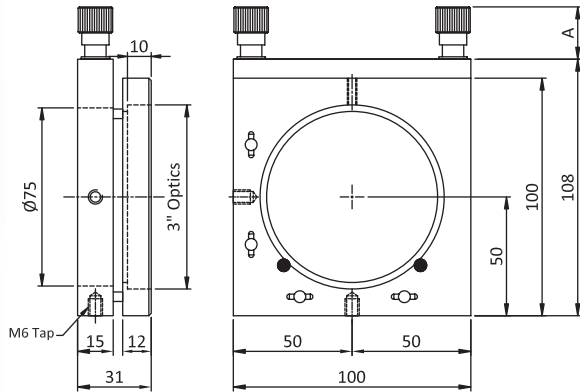
Angular Tip / Tilt	: +/- 3°
Translation Range	: 6mm (Selected models only)
Linear Resolution	: 0.25mm (100 Tpi)
Sensitivity	: 4 arc sec.
Mounting Hole	: M6
Mounting Orientation	: Vertical & horizontal
Material	: Aluminium



50 mm / 2.0



25 mm / 1.0



75 mm / 3.0

L Shaped Base Plates

L shaped base plate can be used to hold mounts at a fixed height from optical table. It's base helps to fix it without tilting.



Model No:	Height
LBP-KM-25	25 mm
LBP-KM-50	50 mm
LBP-KM-75	75 mm



Optic Size	CS series	Mu series	Optics Size	Mounting Hole
25mm or 1"	A-17±3	A-24.5±3	25 mm or 1"	M6
38mm or 1.5"	A-19±3	A-24.5±3	50mm or 2.0"	M6
50mm or 2"	A-19±3	A-24.5±3	75mm or 3.0"	M6
	Model No:	Model No:		
	TABM-CS-25	TABM-MU-25		
	TABM-CS-50	TABM-MU-50		
	TABM-CS-75	TABM-MU-75		

ADAPTERS AND ACCESSORIES

HOLMARC



Circular Mirror Adapter



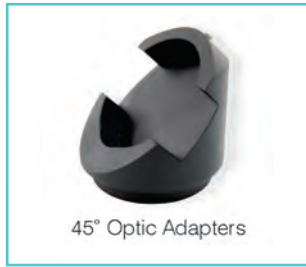
45° Mirror Holder



Thin Optics



Circular Optic Adapters



45° Optic Adapters



Objective Lens Adapters



Lens Adapters



Rotation Adapters



post Adapters



Fiber Holder



Cube Beam Splitter Adapter



Cube Beam Splitter/
Prism Clamp



45° Mirror Mount Holder



Flip Base



Post Mounting Base Plate



L shaped base Plate

PRECISION HOLMARC
OPTO-MECHATRONICS PVT.LTD

Optics

Holmarc manufactures various precision optical components and systems for a broad range of research and industrial applications. Our expertise includes optical and mechanical design, precision optical fabrication, coating etc. We provide a wide range of custom-made optics.

PRECISION Optics for RESEARCH AND INDUSTRY

Refer Page No. **000**

Fixed Angle Rigid Mirror Holder

This mount is used for holding optics of 25 mm and 50 mm diameter at an angle of 30 degree or 45 degree.



http://www.holmarc.com/adapters_n_accessories.php

Specifications

Mounting Angle	:	30 degree, 45 degree
Material	:	Aluminium
Post Mounting	:	by M6 Threaded Holes
Mirror Mounting	:	By Circular Step Provided on the Mount

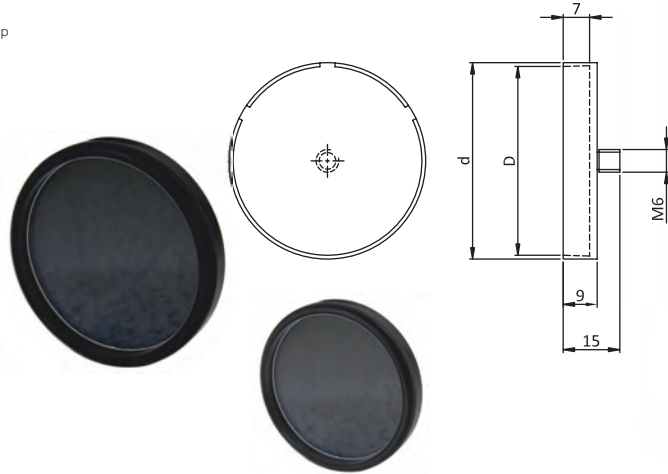
Model No:	Optic Size	Angle
30-MM-25	25mm/1"	30 degree
45-MM-25	25mm/1"	45 degree
30-MM-50	50mm/2"	30 degree
45-MM-50	50mm/2"	45 degree

Circular Mirror Adapters

CA-MM series circular mirror adapters are suitable for mounting circular optics into MM series kinematic mirror mounts. All CA-MM series circular adapters follow same mounting methods. Small adapters can be easily fixed to bigger mounts.

Model No:	Optic Size	d	D
CA-MM-10	10mm	12	10
CA-MM-12.5	12.5mm or 0.5"	14.5	12.5
CA-MM-25	25mm or 1"	27	25
CA-MM-50	50mm or 2"	52	50

Suitable for MM series and TAMM Series mounts only



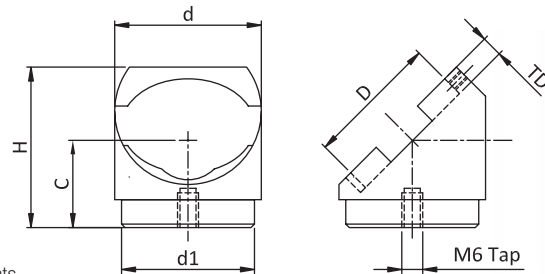
45° Mirror Holder

45-MM series 45° mirror mount holders are suitable for mounting circular optics to MM series and TAMM series kinematic mirror mounts. All 45-MM series circular holders follow same mounting methods. Small circular adapters can be fixed easily to bigger mounts.



Model No:	Optic Size	d	d1	H	C	TD
45-MM-10	10mm or 0.4"	30	25	32	16	6
45-MM-12.5	12.5mm or 0.5"	30	25	32	16	6
45-MM-25	25mm or 1"	30	25	37	22	6
45-MM-38	38mm / 1.5"	42	38	46	25	8
45-MM-50	50mm or 2"	55	50	60	30	10

Compatible with BM Series, KMC Series, BMX Series, TAPM Series Mounts

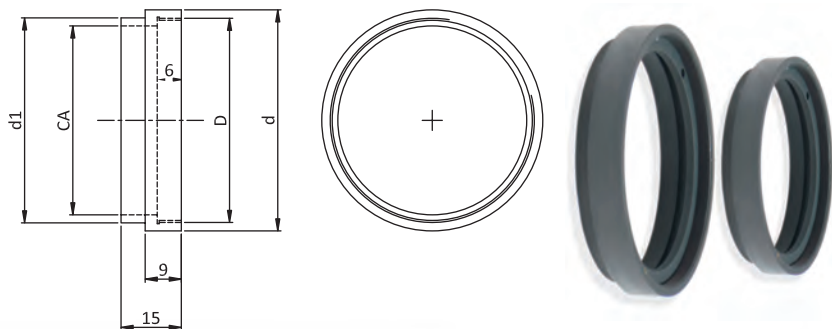


Thin Optics Adapter

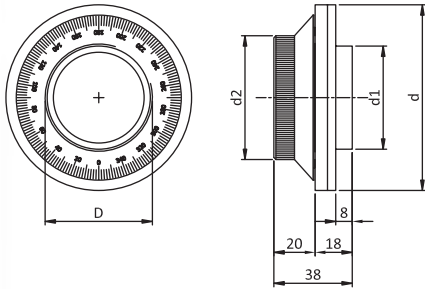
Optics in the range of 1mm to 3mm can be held in these thin optic adapters. These are suitable for mounting thin beam splitters, mirrors or filters on a threaded cell.

Model No:	Optic Size(D)	d	CA	d1
ADN-25	25mm or 1"	30	23	25.4
ADN-38	38mm or 1.5"	44	35	38.1
ADN-50	50mm or 2"	55	47	50.8

Compatible with BM Series, KMC Series, BMX Series, TABM Series Mounts



Rotation Adapters



Rotation adapters have angular readout. It is used to fix kinematic mounts directly using nylon tipped set screw.

Model No:	D	d	d1	d2
RA-25	25 mm or 1"	38	25	28
RA-50	50 mm or 2"	65	50	55

Compatible with
BM Series
KMC Series
BMX Series
TABM Series Mounts

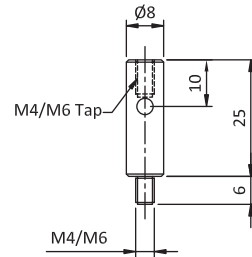


Post Adapter

- ▶ Can be directly mounted to standard post
- ▶ Stainless steel construction
- ▶ 8mm diameter
- ▶ 25mm long
- ▶ Lever hole for tightening

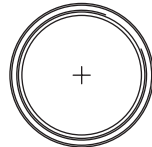
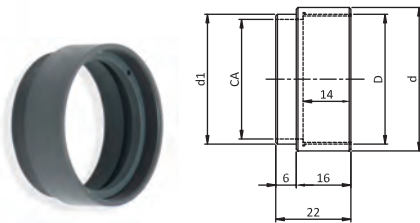


Model No:	Type	Male-Female
PA - M4M4	M4 - M4	
PA - M4M6	M4 - M6	
PA - M6M4	M6 - M4	
PA - M6M6	M6 - M6	



http://www.holmarc.com/adapters_n_accessories.php

Lens Adapters



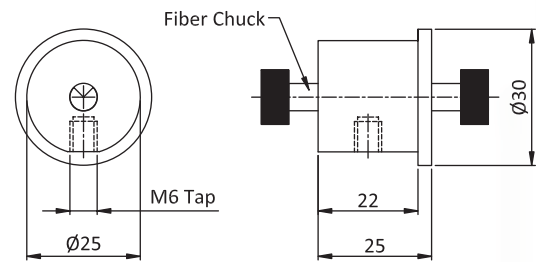
Suitable for lens having edge thickness up to 10mm

Model No:	D	d	CA	d1
ALDN-25	25 mm or 1"	30	23	25
ALDN-38	38 mm or 1.5"	42	35	38
ALDN-50	50 mm or 2"	55	47	50

Compatible with
BM Series
KMC Series
BMX Series
TABM SeriesMounts

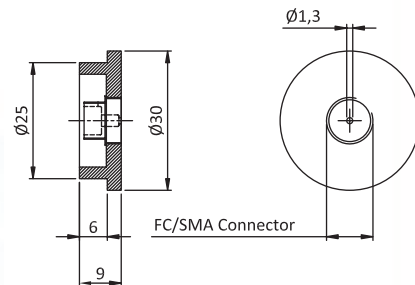
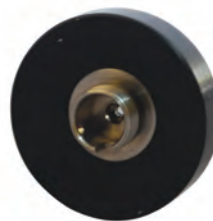
Fiber Holder

Kinematic mount of 25mm optical diameter is suitable for mounting this adapter. Bare fiber can be fixed with FH-25-FCH adapter by a fiber chuck and holder provided with the adapter. In FH-25-FC and FH-25-SMA adapters, FC connector and SMA connectors are provided.



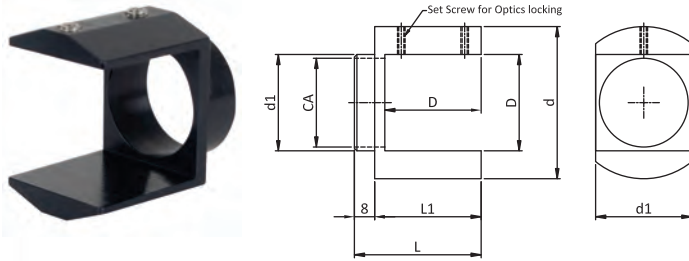
Compatible with BM Series, KMC Series, BMX Series, TABM Series Mounts

Model No:	Type
FH-25-FCH	For bare fiber
FH-25-FC	FC Connectorized fiber
FH-25-SMA	SMA Connectorized fiber



Cube Beam Splitter Adapter

Cube prism is mounted using nylon tipped set screw.



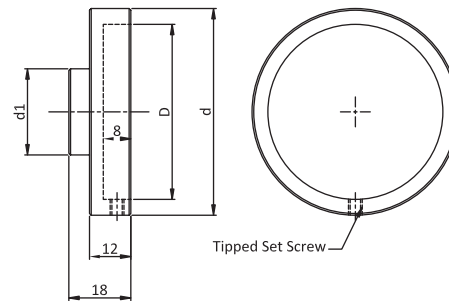
Model No:	D	d	d1	CA	D	L1	L
CBSA-10	10mm or 0.4"	30	25	8	10	10	18
CBSA-12.5	12.5mm or 0.5"	30	25	10	12.5	12.5	20.5
CBSA-15	15mm or 0.6"	30	25	12	15	15	23
CBSA-20	20mm or 0.8"	30	25	17	20	20	28
CBSA-25	25mm or 1"	30	25	22	25	28	36
CBSA-38	38mm or 1.5"	60	38	35	38	42	50
CBSA-50	50mm or 2"	75	50	47	50	54	62

Circular Mirror Adapter

Circular Mirror Adapter has three point contact. Optics are held in position using nylon tipped set screw.

Model No:	Optic Size	d	d1
CMA-10	10mm or 0.4"	25	25
CMA-12.5	12.5mm or 0.5"	25	25
CMA-25	25mm or 1"	32	25
CMA-38	38mm / 1.5"	50	38
CMA-50	50mm or 2"	60	50

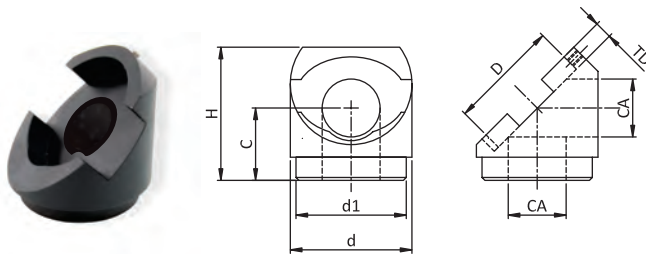
Compatible with BM Series KMC Series
BMX Series, TABM Series Mounts



http://www.holmarc.com/adapters_n_accessories.php

45 Degree Optic Adapters

Suitable for fixing mirrors or beam splitters at 45° onto the kinematic Mount. Nylon tipped set screw is used for fixing the optics into the adapter.



Model No:	Optic Size	d	d1	H	C	CA	TD
45-BM-10	10mm or 0.4"	30	25	32	16	6	6
45-BM-12.5	12.5mm or 0.5"	30	25	32	16	8	6
45-BM-25	25mm or 1"	30	25	37	22	15	6
45-BM-38	38mm / 1.5"	42	38	46	25	20	8
45-BM-50	50mm or 2"	55	50	60	30	30	10

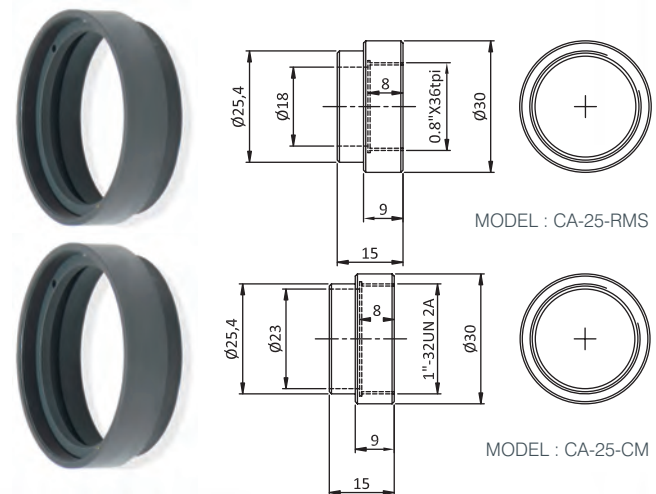
Compatible with BM Series, KMC Series, BMX Series, TABM Series Mounts

Objective Lens Adapters

Objective lens like Microscope objective with RMS and C mount threads or camera lenses can be fixed to kinematic mounts using an objective lens adapter

Model No:	Type
CA-25-RMS	RMS Thread
CA-25-CM	C Mount

Compatible with
BM Series
KMC Series
BMX Series
TABM SeriesMounts

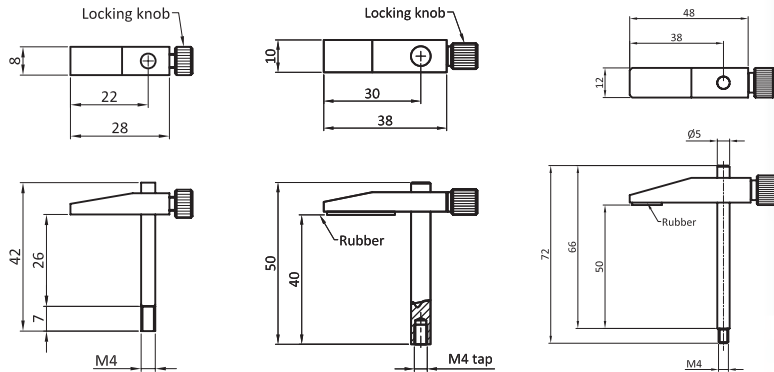


Cube / Beam Splitter / Prism Clamp

- ▶ Soft nylon pad is provided for avoiding scratches on optics
- ▶ Suitable for prism or cube



Model No:	Optic Size	Compatible with
CBSPC-25	Up-15 mm	MM series
CBSPC-38	Upto-25 / 1"	TAPM series
CBSPC-50	Up to 50mm / 2"	mounts



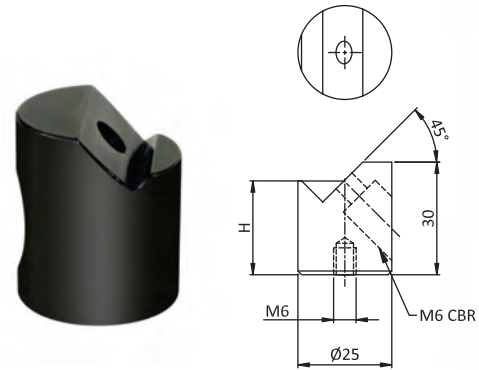
45 degree Mirror Mount Holder

- ▶ Used to fix kinematic mounts or rigid mounts at 45 degrees
- ▶ M6/M4 Screw mounting option
- ▶ Available in 3 different heights
- ▶ Aluminium alloy
- ▶ Black anodized finish

Model No:	Height
45-MMH-15	15 mm
45-MMH-30	30 mm
45-MMH-50	50 mm



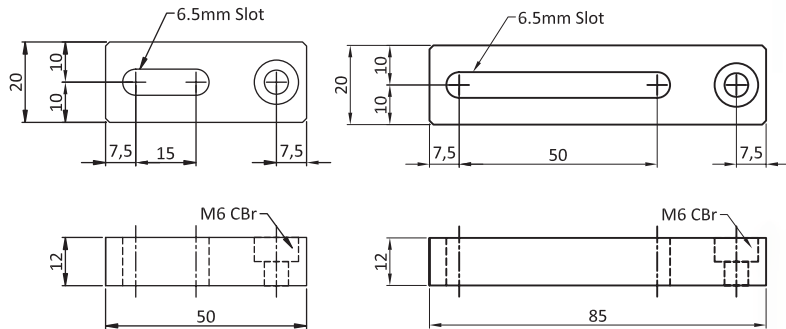
http://www.holmarc.com/adapters_n_accessories.php



Slotted post mounting base plate

Slotted adapter is suitable for holding the optic mount on a post system with its surface centered.

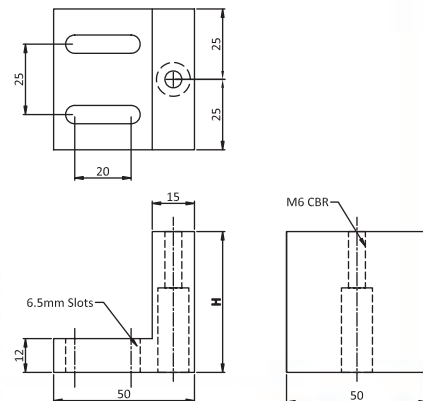
Model No:	Height
SB-KM-15	Small
SB-KM-50	Large



Base Plate L Shaped

L shaped base plate can be used to hold mounts at a fixed height from optical table. It's base helps to fix it without tilting.

Model No:	Height
LBP-KM-25	25 mm
LBP-KM-50	50 mm
LBP-KM-75	75 mm

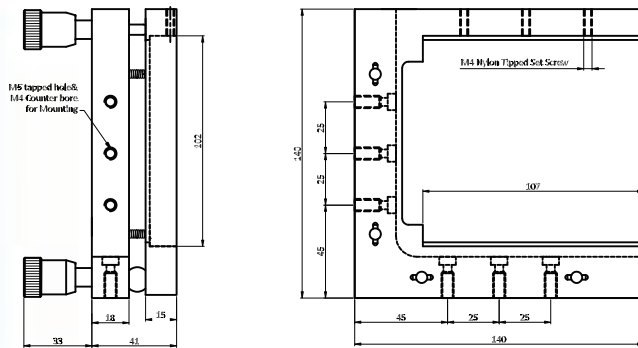


Kinematic Mount for Large Rectangular Optics

In this series, rectangular optics of large size can be mounted. Nylon tipped soft set-screws are used to tighten the optics.

Specifications

Angular Tip / Tilt	:	+/- 2°
Linear Resolution	:	0.25 mm (100 Tpi)
Sensitivity	:	4 arc sec.
Mounting Hole	:	M6 Tapped / M4 CBR
Mounting Orientation	:	Vertical & Horizontal
Drive	:	100 Micrometer / 100 TPI leascrew
Material	:	Aluminium
Finish	:	Black anodized



Model No:	Model No:	Optics Size
100 TPI Lead screw	100 TPI Micrometer	
KMR-75 CS	KMR-75 Mu5	75mm x 75mm
KMR-100 CS	KMR-100 Mu5	100mm x 100mm
KMR-125 CS	KMR-125 Mu5	125mm x 125mm

Kinematic Mount for Large Circular Optics



This mirror mount is suitable for fixing optics of large diameters. Optics of 75mm, 100mm and 125 mm diameters can be mounted in these devices.

Specifications

Angular Tip / Tilt	:	+/- 2°
Linear Resolution	:	0.25 mm (100 Tpi)
Sensitivity	:	4 arc sec.
Mounting Hole	:	M6 Tapped / M4 CBR
Mounting Orientation	:	Vertical & Horizontal
Drive	:	100 Micrometer / 100 TPI leascrew
Material	:	Aluminium
Finish	:	Black anodized

Model No:	Model No:	Optics Size
100 TPI Lead screw	100 TPI Micrometer	Bore Size & Depth
KMC-75 CS	KMC-75 Mu5	Dia-3" x 12 mm
KMC-100 CS	KMC-100 Mu5	Dia-4" x 18 mm
KMC-125 CS	KMC-125 Mu5	Dia-5" x 22 mm

Kinematic Self centering jaw mount for Circular Optics



These mounts are used to mount optics of varying diameters (5mm to 104mm). Optics is held by self centering adjustable jaw.

Specifications	
Angular Tip / Tilt	: +/- 3°
Travel X	: 50mm
Travel Y&Z	: 25mm
Linear Resolution	: 0.25 mm (100 Tpi)
Sensitivity	: 4 arc sec.
Mounting Hole	: M6 tapped holes for post mounting. Base plate having M6 clear slots are also provided
Drive	: 100 Tpi lead screw for tilting and micrometer for XYZ stage
Optics diameter (Minimum)	: 5mm
Optics diameter (Maximum)	: 104mm
Optics thickness (Maximum)	: 22mm
Material	: Aluminium
Finish	: Black anodized



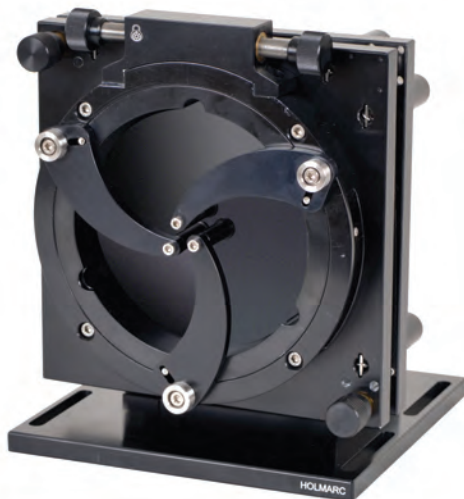
Model No:	Model No:	Optics Size
100 TPI Lead screw	100 TPI Micrometer	
KMC-SC-75 CS	KMC-SC-75 Mu5	75mm x 75mm
KMC-SC-100 CS	KMC-SC-100 Mu5	100mm x 100mm
KMC-SC-125 CS	KMC-SC-125 Mu5	125mm x 125mm

Optics size 5 to 104mm
Optics thickness : 22mm
Optics held by self-centering adjustable jaw, screw adjusters are used for fixing optics firmly

Kinematic Concave Mirror or Optical Flat Holders (Five Axis Adjustment)

Model : HO-5A-OFH

These holders are suitable for optical flat or concave mirror. Optics is held by self centering jaw. Screw adjusters are used for fixing optics firmly.



Specifications	
Angular Tip / Tilt	: +/- 3°
Travel X	: 50mm
Travel Y&Z	: 25mm
Linear Resolution	: 0.25 mm (100 Tpi)
Sensitivity	: 4 arc sec.
Mounting Hole	: Base plate having M6 clear slots
Drive	: 100 Tpi lead screw for tilting and micrometer for XYZ stage
Optics diameter (Minimum)	: 2mm
Optics diameter (Maximum)	: 104mm
Material	: Aluminium
Finish	: Black anodized

Model No:	Minimum & Maximum Optic Diameter	Maximum Optic Holding thickness
5A -OFH	2mm-104mm	22mm

Gimbal Mirror Mounts

Gimbal mirror mounts provides 360° coarse positioning in two axes about the mirror surface in addition to fine adjustment of 6°. Two types of fine adjustments are possible, one is micrometer drive with 10 micron least count and the other is with lead screw of 0.25mm linear resolution per rotation. Switching between coarse and fine movement is by using a knob or a set-screw provided on the gimbal mount.

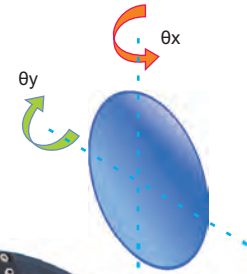
Optics upto 12.5mm thickness can be held in 50mm gimbal mirror mount and up to 10mm can be held in 25mm gimbal mount. In both models, optics are fixed with the help of threaded ring.

Specifications

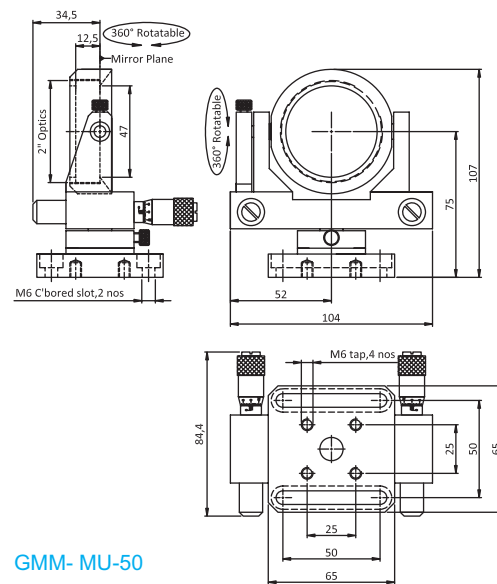
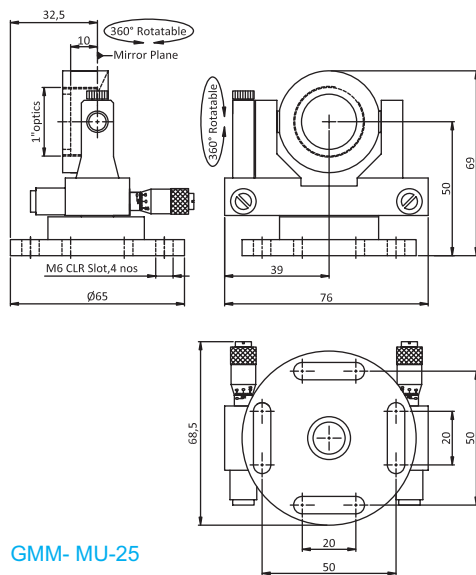
Coarse Travel θ_x / θ_y	: 360 Degrees
Fine Travel θ_x / θ_y	: +/- 6 degree
Linear resolution	: 0.25mm / Rotation
Linear resolution	: 0.01mm (Least Count for micrometer)
Sensitivity	: 4 arc sec.
Mounting hole	: M6 Slots
Rotation axis laid ON	: Mirror plane
Construction material	: Aluminium alloy
Finish	: Black Anodized

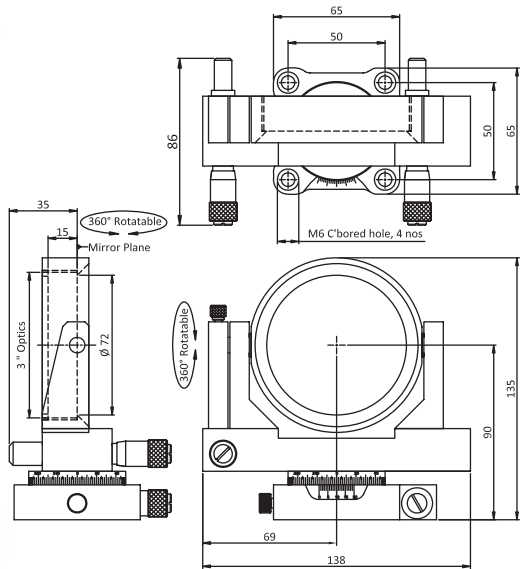


http://www.holmarc.com/gimbal_mirror_mount.php



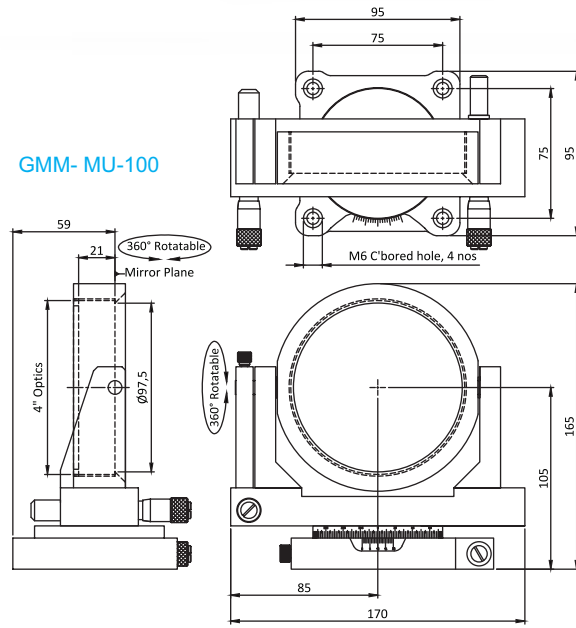
Model No:	Optics Size	Maximum Optic Thickness	Drive	Post Mounting adapter Model
GMM - Mu - 25	25mm / 1"	10mm	Micrometer	AD - GMM - 25
GMM - Mu - 50	50mm / 1"	12.5mm	Micrometer	AD - GMM - 50
GMM - Mu - 75	75mm / 3"	12.5mm	Micrometer	AD - GMM - 75
GMM - Mu - 100	100mm / 4"	12.5mm	Micrometer	AD - GMM - 100





GMM-MU-75

GMM-MU-100

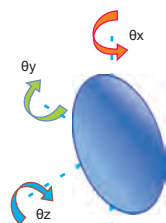
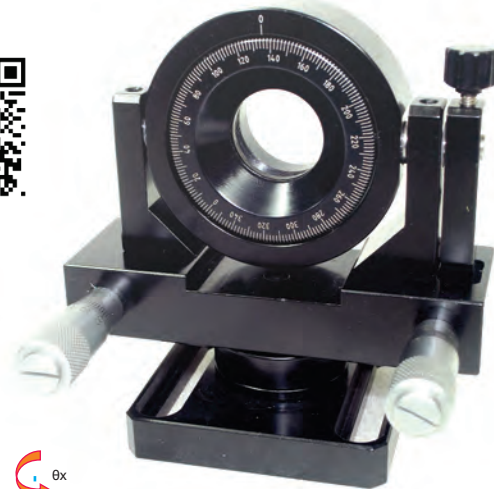


Gimbal Mirror Mounts With Rotation

Gimbal mirror mount with rotation provides 360 degree coarse positioning in two axes about the mirror surface in addition to fine adjustment of 6 degrees for theta x and theta y and 360° manual rotation with 1° resolution for theta z. Two types of fine adjustments are provided. One is micrometer drive with 10 micron least count and the other is with lead screw of 0.25mm linear resolution per rotation.

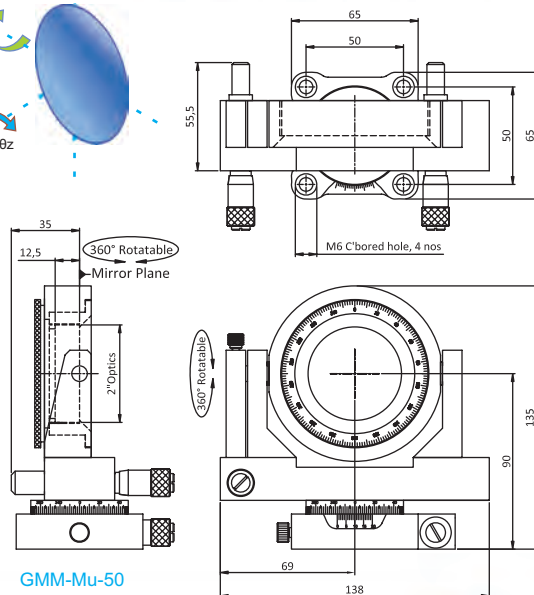


Switching between coarse and fine movement is by using a knob or a set-screw provided on the Gimbal mount. Optics up to 12.5mm thickness can be held in 50mm Gimbal mirror mount and up to 10mm can be held in 25mm gimbal mount. In both models, optics are fixed with the help of threaded ring.



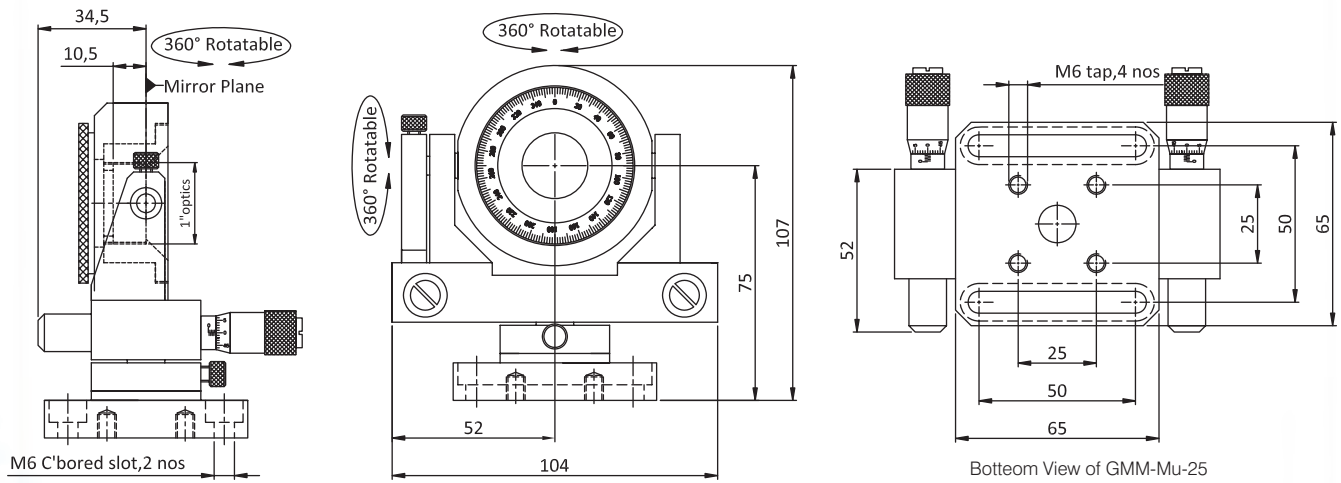
Specifications	
Coarse Travel θ_x / θ_y	: 360°
Fine Travel θ_x / θ_y	: +/- 6°
Travel Range θ_z	: 360°
Linear Resolution	: 0.01mm (Least Count for micrometer)
Resolution θ_z	: 1°
Sensitivity θ_x / θ_y	: 4 arc sec.
Mounting Hole	: M6 Slots
Construction material	: Aluminium alloy
Finish	: Black anodized

Model No:	Optics Size	Maximum Optic Thickness	Drive	Post Mounting adapter Model
GMM - Mu - 25-P	25mm / 1"	10mm	Micrometer	AD - GMM - 25
GMM - Mu - 50-P	50mm / 2"	12.5mm	Micrometer	AD - GMM - 50



GMM-MU-50

GMM-Mu-25



Gimbal Mirror Mounts for Large Optics

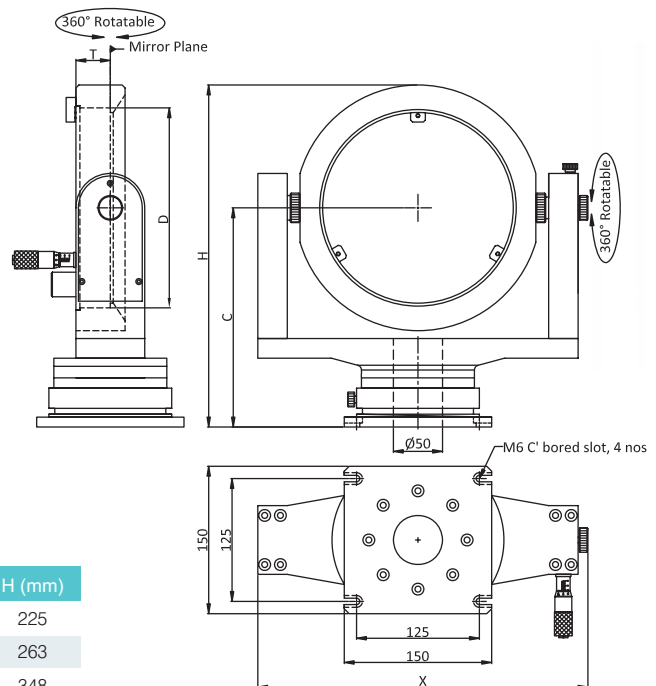


Fig. Gimbal Mirror Mount for 150mm/6.0" Optics

Large Gimbal Mounts are suitable for fixing large optics, with maximum diameter of 200 mm. Fine adjustment is done by a micrometer with least count of 10 microns. Switching between coarse and fine movement is by using a knob or a set-screw provided on the Gimbal mount. 200mm / 8" Gimbal mirror mount, can hold mirrors upto 35mm thick.

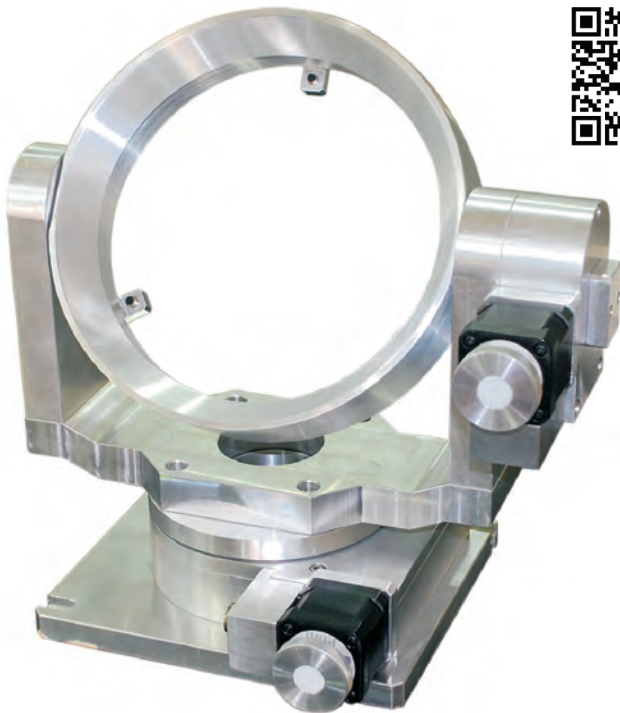
Specifications

- Coarse Travel θ_x / θ_y : 360°
- Fine Travel θ_x / θ_y : +/- 6°
- Linear Resolution : 0.01mm (Least Count for micrometer)
- Sensitivity θ_x / θ_y : 4 arc sec.
- Mounting Hole : M6 slots
- Construction material : Aluminium alloy
- Finish : Black anodized



Drive : Micrometer						
Model No.	Optic size (mm)	Mirror Thickness	D (mm)	C (mm)	X (mm)	H (mm)
GMM-125	125 / 5"	25	125	150	230	225
GMM-150	150 / 6"	25	150	175	255	263
GMM-200	200 / 8"	35	200	223	336	348

Motorized Gimbal Mirror Mounts



Controller sold separately

Specifications

Coarse Travel θ_x / θ_y	: 360°
Fine Travel θ_x / θ_y	: +/- 6°
Sensitivity θ_x / θ_y	: 4 arc sec.
Mounting Hole	: M6 slots
Construction material	: Aluminium alloy
Finish	: Black anodized

Gimbal mounts with stepper motor drives are suitable for remote positioning of the mirror in pitch and yaw directions. Suitable controller with hand held user interface is also available from Holmarc. Knob which is directly attached to motor shaft is provided for manual positioning of the mirror when ever required. These mounts are available for mirrors upto the size of 200 mm diameter as standard product. Holmarc can make these gimbal mounts for larger mirrors as well (up to 500 mm diameter). Please contact our application engineers for assistance.

Model No:	Optics Size
MO - GMM - 25	25 / 1"
MO - GMM - 50	50 / 2"
MO - GMM - 75	75 / 3"
MO - GMM - 100	100 / 4"
MO - GMM - 150	150 / 6"
MO - GMM - 200	200 / 8"

CONFOCAL LASER RAMAN SPECTROMETER

Model : HO-ED-SP-CRM215

- Confocal light collection**
- High lateral spatial resolution**
- Excellent depth resolution**
- Large collection angle for the Raman light**

Raman microscopy integrates a spectrometer to a standard optical microscope, allowing magnified visualization of sample and analysis with a microscopic laser spot. In confocal Raman microscope, measurements are comparatively easier. What is required is to place the sample under the microscope, focus, and take a measurement.

The Raman effect occurs when light impinges upon a molecule and interacts with the electron cloud and the bonds of that molecule. For the spontaneous Raman effect, which is a form of light scattering, a photon excites the molecule from the ground state to a virtual energy state. When the molecule relaxes it emits a photon and returns to a different rotational or vibrational state. The difference in energy between the original state and this new state leads to a shift in the emitted photon's frequency away from the excitation wavelength. Confocal Raman microscopy refers to the ability to spatially filter the analysis volume of the sample, in the XY (lateral) and Z (depth) axes.



http://www.holmarc.com/confocal_laser_raman_spectrometer.php

Confocal Raman Microscope (CRM)

Kinematic Platform Mount

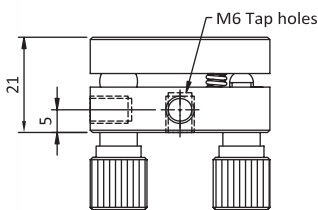
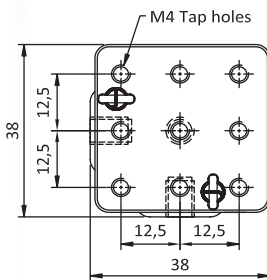
KPM series Kinematic platforms are available for optics up to 90 mm size. M6 and M4 tapped holes are provided on a 12.5mm grid for mounting various optical or opto-mechanical components over the platform. M6 tapped holes are provided at the back plate of kinematic platform for post mounting applications (2 vertical positions and 1 horizontal position are possible). Suitable prism clamps are provided along with kinematic platform.

Kinematic platform mount with Plain Surface	Kinematic platform mount with Single Post	Kinematic platform mount with Dual Post
Model No:	Model No:	Model No:
KPM-38	KPMS-38	KPMD-38
KPM-50	KPMS-50	KPMD-50
KPM-75	KPMS-75	KPMD-75
KPM-90	KPMS-90	KPMD-90
Kinematic Platform Mount with Translation		
Model No:	Model No:	Model No:
KPM-T-38	KPMS-T-38	KPMD-T-38
KPM-T-50	KPMS-T-50	KPMD-T-50
KPM-T-75	KPMS-T-75	KPMD-T-75
KPM-T-90	KPMS-T-90	KPMD-T-90

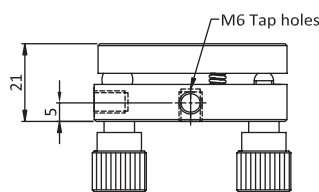
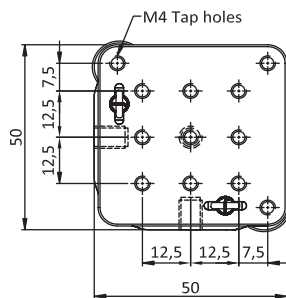
Note : Post, post holder and bases are sold separately

Specifications

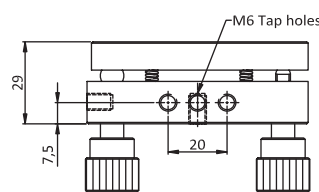
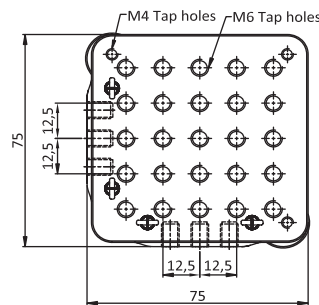
Angular tip / tilt	: +/- 3°
Translation range	: 6mm (selected models only)
Linear resolution	: 0.25mm
Sensitivity	: 4 arc sec.
Mounting hole	: M6 / M4
Mounting orientation	: Vertical & horizontal
Material	: Aluminium
Finish	: Black anodized



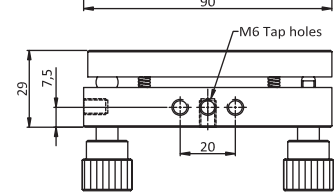
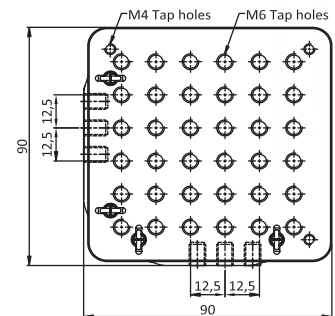
KPM-38



KPM-50



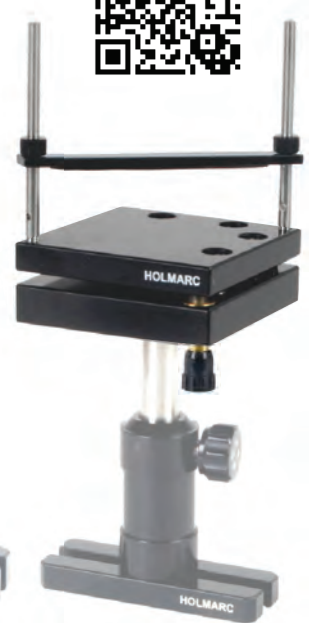
KPM-75



KPM-90



KINEMATIC PLATFORM MOUNT WITH SINGLE POST CLAMP



KINEMATIC PLATFORM MOUNT WITH DUAL POST CLAMP



SINGLE POST CLAMP



DUAL POST CLAMP

Kinematic Prism Mount



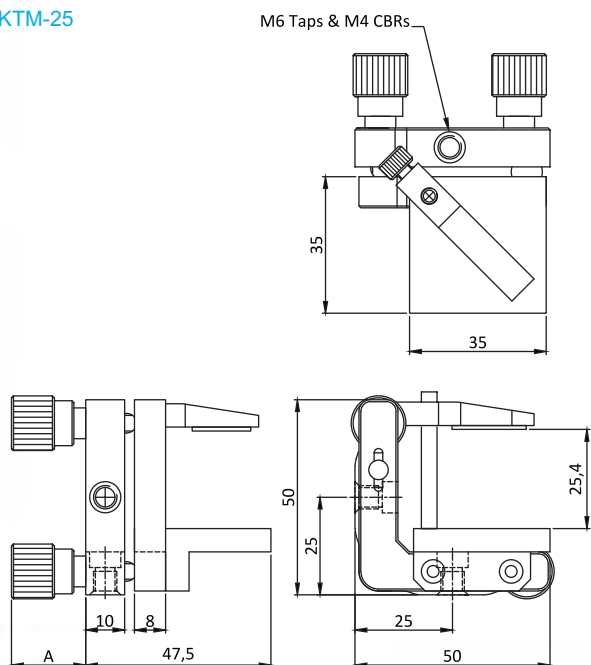
KTM series kinematic prism mounts enable horizontal & vertical mounting. Left/Right orientations can be easily arranged using detachable platform. Suitable prism clamps are provided along with kinematic prism mounts. Tilt adjustment screws have 0.25mm / rev. pitch threads. Construction material is aluminium with black anodized finish. M6/M4 mounting options are provided for fixing it with standard 12mm or 16mm posts.

Note : Post, post holder and bases are sold separately

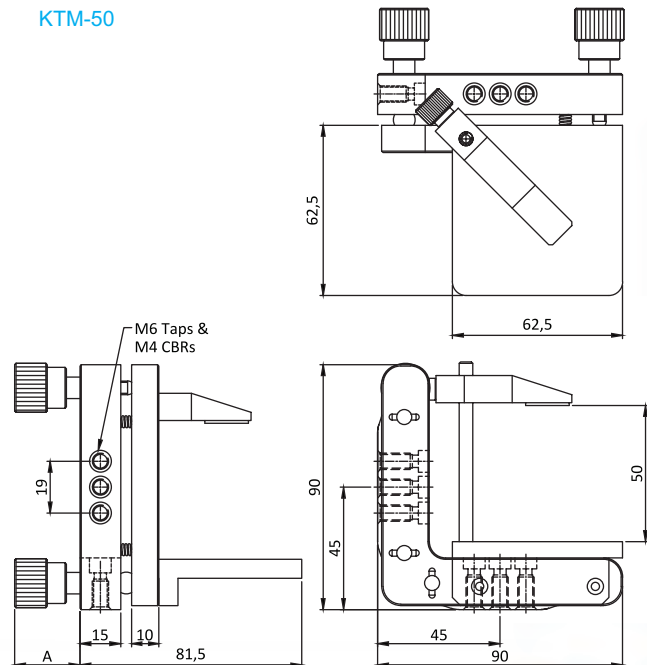
Model No:	Optic Size	Mounting Hole
KTM-25	Upto 1"/25	M6 / M4
KTM-50	Upto 2"/50	M6 / M4
Kinematic mirror mount with rectangular optics with translation		
KTM-T-25	Upto 1"/25	M6 / M4
KTM-T-50	Upto 2"/50	M6 / M4

Specifications	
Angular Tip / Tilt	: +/- 3°
Translation Range	: 6mm (selected models only)
Linear Resolution	: 0.25mm
Sensitivity	: 4 arc sec.
Mounting Hole	: M6 / M4
Mounting Orientation	: Vertical & horizontal

KTM-25



KTM-50



Dual Axis Tilt Platform Mount

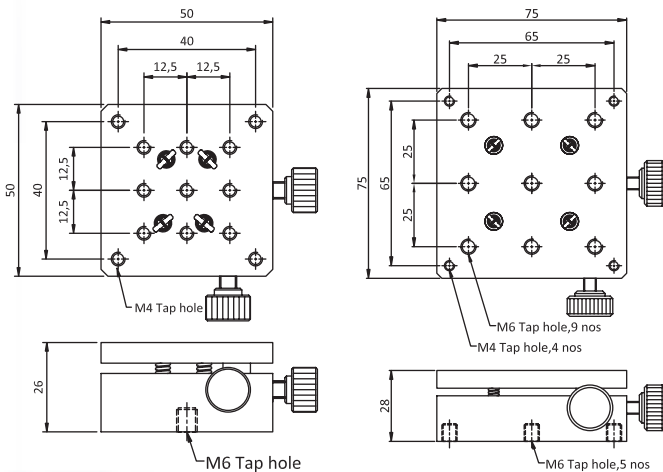


TRS series dual axis tilt platform mounts are available for optics up to 50 mm. M6 and M4 tapped holes are provided on a 12.5mm grid for mounting various optical or opto-mechanical components over the platform. There are 3 sets of M6 tapped holes at the back plate of platform for post mounting applications. Suitable prism clamps are provided along with kinematic platform.

Specifications

Angular Tip / Tilt	: +/- 3°
Translation Range	: 6mm (selected models only)
Linear Resolution	: 0.25mm
Sensitivity	: 4 arc sec.
Mounting Hole	: M6 / M4
Mounting Orientation	: Vertical & horizontal
Material	: Aluminium

Dual axis tilt platform mount with Plain Surface	Dual axis tilt platform mount with Single Post	Dual axis tilt platform mount with Dual Post	Optic Size	Mounting Hole
Model No: TRS-25	Model No: TRSS-25	Model No: TRSD-25	Upto 38	M6
Model No: TRS-50	Model No: TRSS-50	Model No: TRSD-50	Upto 50	M6



V DUAL AXIS TILT PLATFORM MOUNT WITH DUAL POST CLAMP



A DUAL AXIS TILT PLATFORM MOUNT WITH SINGLE POST CLAMP

Note : Post, post holder and bases are sold separately



SINGLE POST CLAMP



DUAL POST CLAMP

Tilt and Rotation Stage



Fig. PLANE SURFACE
TILT AND ROTATION STAGE



Fig. SINGLE POST CLAMP
TILT AND ROTATION STAGE



Fig. DUAL POST CLAMP
TILT AND ROTATION STAGE



PMNP-R series prism/cube mounts have three degrees of freedom, two tilt and one rotation. M6 C'bored holes are provided at the base for mounting to breadboard with suitable base plates. Prism or cube can be placed on the top of the plane surface of this mount.

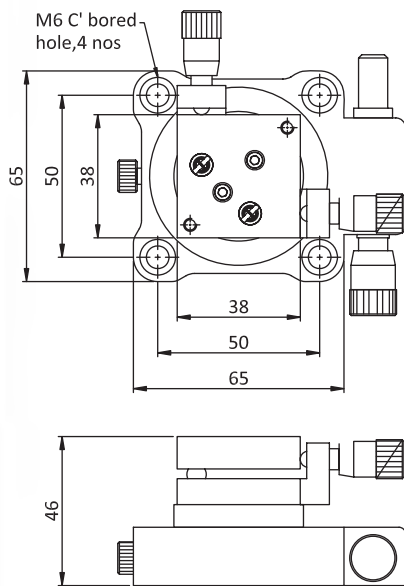
Specifications

Angular Tip / Tilt	: +/- 3°
Translation Range	: 6mm (selected models only)
Linear Resolution	: 0.25mm
Sensitivity	: 4 arc sec.
Mounting Hole	: M6 / M4
Mounting Orientation	: Vertical & horizontal
Drive	: Lead screw
Material	: Aluminium

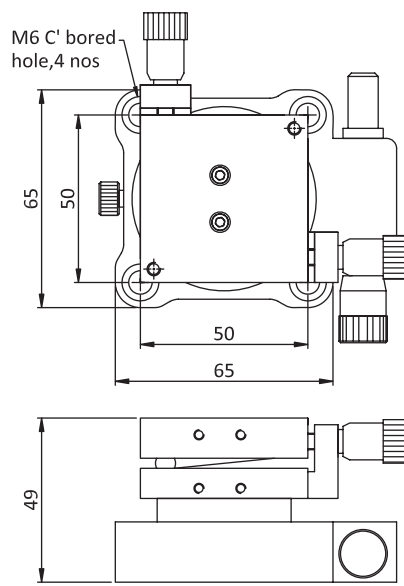
PLANE SURFACE	SINGLE POST CLAMP	DUAL POST CLAMP	Optic Size	Thickness (T)
Model No:	Model No:	Model No:		
PMRP-CS-25	PMRS-CS-25	PMRD-CS-25	Up to 1"	21mm
PMRP-CS-38	PMRS-CS-38	PMRD-CS-38	Up to 1.5"	24mm
PMRP-CS-50	PMRS-CS-50	PMRD-CS-50	Up to 2"	24mm



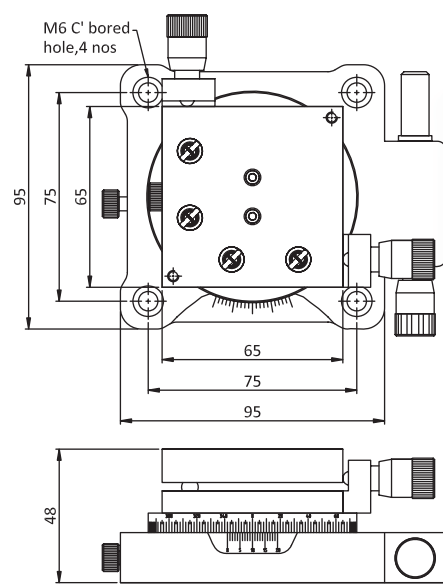
Optics is held by rubber padded clamp



PMRD-25



PMRD-38



PMRD-50

Beam Steering Device

BSD series Beam Steering Device makes use of vibration damped steel post for supporting mirror assemblies. The mirrors can be independently rotated and positioned along the axis which passes through the mirror centers.

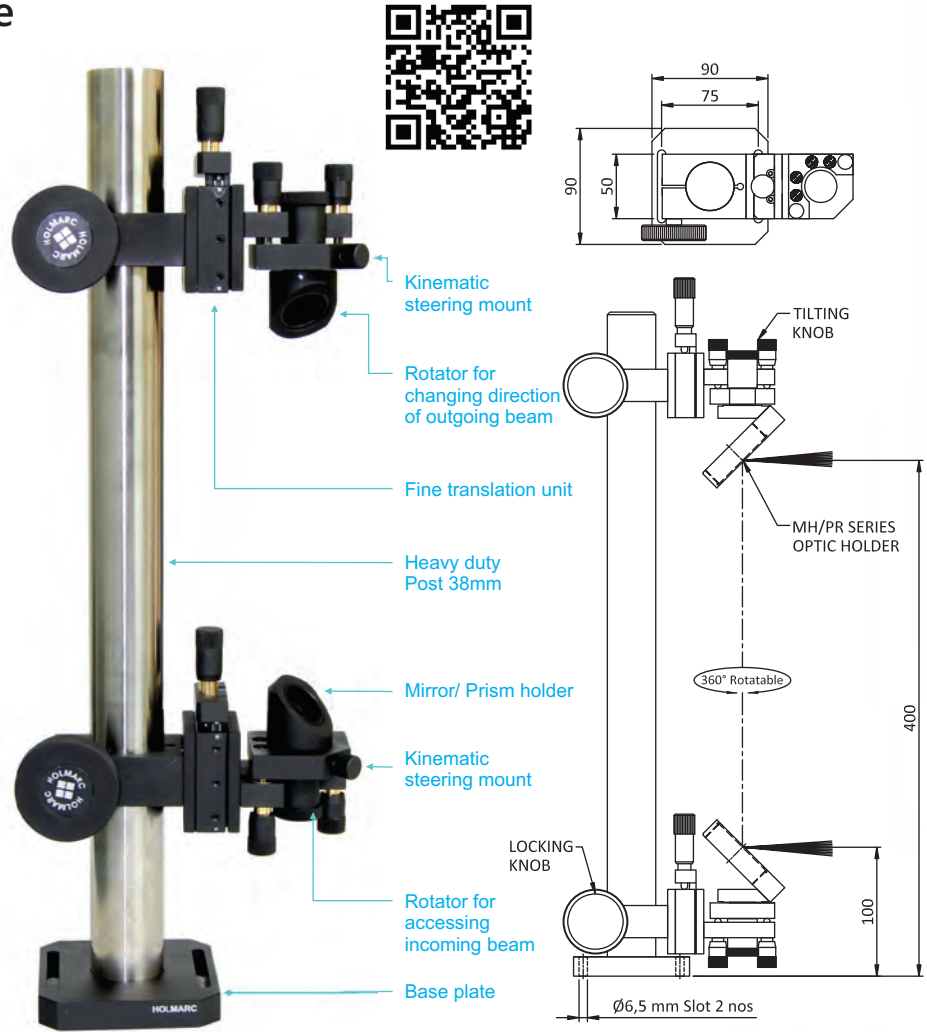
There are two models : BSD Series and BSDT Series. In BSDT series, fine height adjustment facility is provided for both mirror assemblies. Height adjustment is possible by a precision linear stage driven by 80 TPI lead screw.

Kinematic Mirror / Prism Holder with Translation

- ▶ 10mm vertical translation
- ▶ Micrometer drive
- ▶ +/- 2.5° tilting
- ▶ Lead screw for tilting
- ▶ 360° rotation with lock
- ▶ Up and down orientations
- ▶ Compatible with heavy duty post

Kinematic Mirror / Prism Mount

- ▶ +/- 2.5° tilting
- ▶ Lead screw for tilting
- ▶ 360° rotation with lock
- ▶ Up and down orientations
- ▶ Compatible with heavy duty post



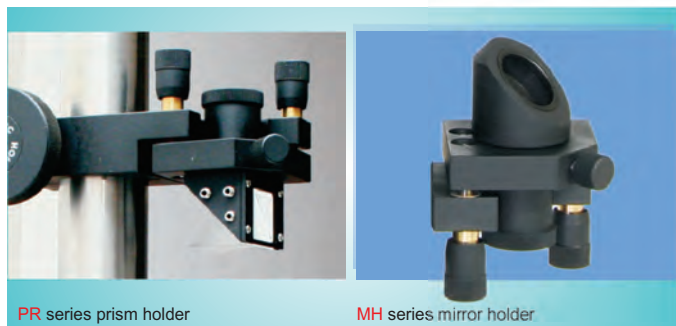
BSDT Series

Kinematic Mirror / Prism Holder with Translation

Model No.	Optics Size	Optics Type
BSDT-25 PR	25mm / 1"	Prism
BSDT-25 MH	25mm / 1"	Mirror
BSDT-38 PR	38mm / 1.5"	Prism
BSDT-38 MH	38mm / 1.5"	Mirror
BSDT-50 PR	50mm / 2"	Prism
BSDT-50 MH	50mm / 2"	Mirror

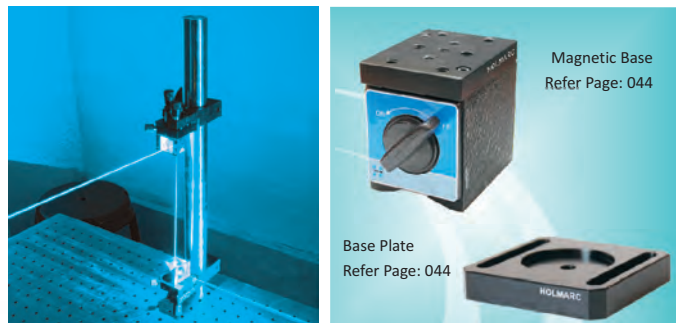
Kinematic Mirror / Prism Holder without Translation

Model No.	Optics Size	Optics Type
BSD-25 PR	25mm / 1"	Prism
BSD-25 MH	25mm / 1"	Mirror
BSD-38 PR	38mm / 1.5"	Prism
BSD-38 MH	38mm / 1.5"	Mirror
BSD-50 PR	50mm / 2"	Prism
BSD-50 MH	50mm / 2"	Mirror



PR series prism holder

MH series mirror holder



Base Plate
Refer Page: 044

Magnetic Base
Refer Page: 044

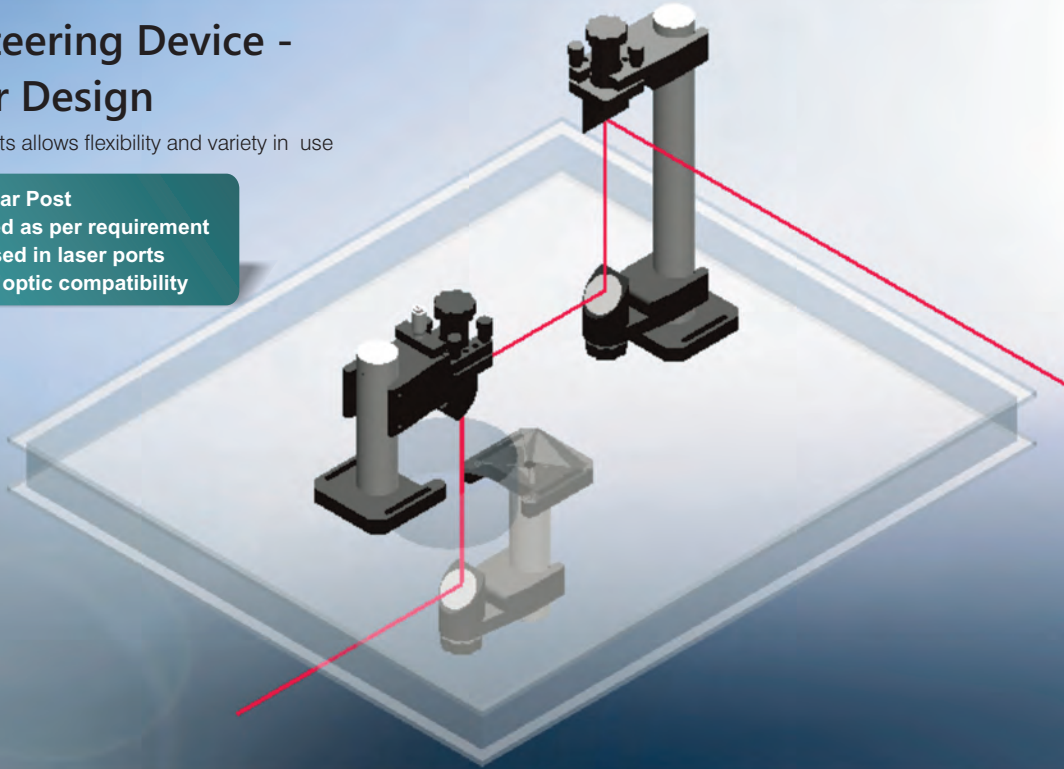
Magnetic Bases are available and are sold separately.



Beam Steering Device - Modular Design

Standardized units allows flexibility and variety in use

- ▶ 25mm Pillar Post
- ▶ Assembled as per requirement
- ▶ Can be used in laser ports
- ▶ 1"/25 mm optic compatibility



Pillar Post

Model No:
PLP-50
PLP-100
PLP-200
PLP-300
PLP-500

For More Details
Refer Page No:000



Kinematic Mirror / Prism holder

Model No:
PLP - PR - 25
PLP - MH - 75



Kinematic Mirror / Prism holder with translation

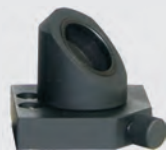
- ▶ 10mm vertical translation
- ▶ Micrometer drive
- ▶ +/- 2.5° tilting
- ▶ Lead screw for tilting
- ▶ 360° rotation with lock
- ▶ Up and down orientations
- ▶ Quick coupling clamp
- ▶ Compatible with pillar post



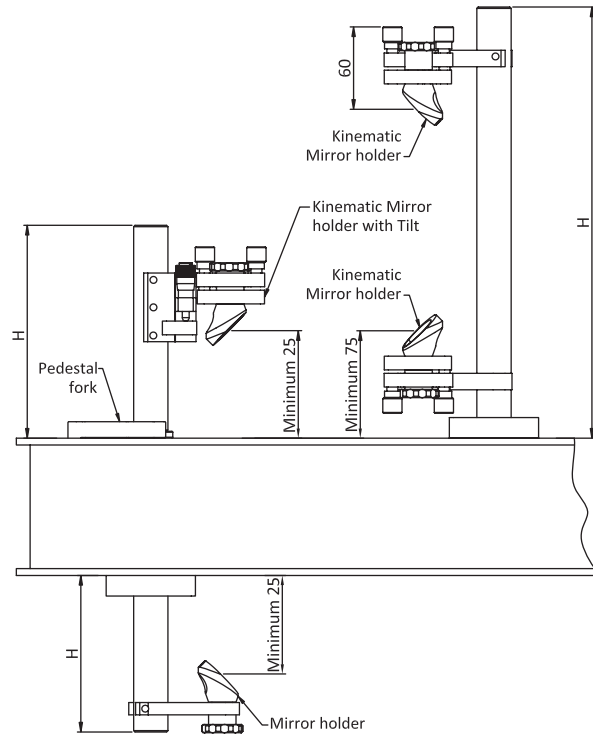
Model No:
PLP - PR - 25T
PLP - MH - 75T

Rigid Mirror / Prism Mount

- ▶ +/- 2.5° tilting
- ▶ Lead screw for tilting
- ▶ 360° rotation with lock
- ▶ Up and down orientations
- ▶ Quick coupling clamp
- ▶ Compatible with pillar post



Model No:
PLP - RPM - 25
PLP - RMH - 25



Base Plate/Magnetic Base/Pedestal Fork&Adapter



Base Plate
Refer Page: 000

Pedestal Adapter
Refer Page: 000

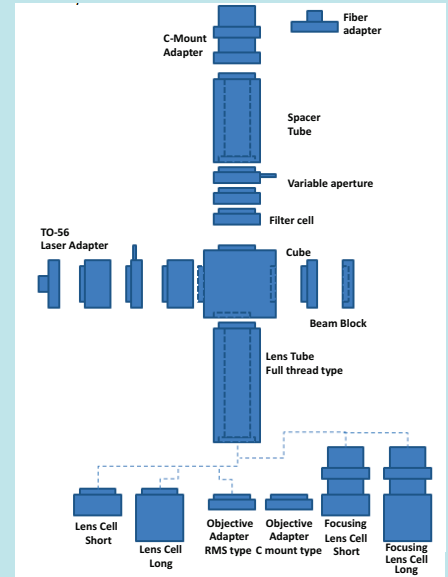
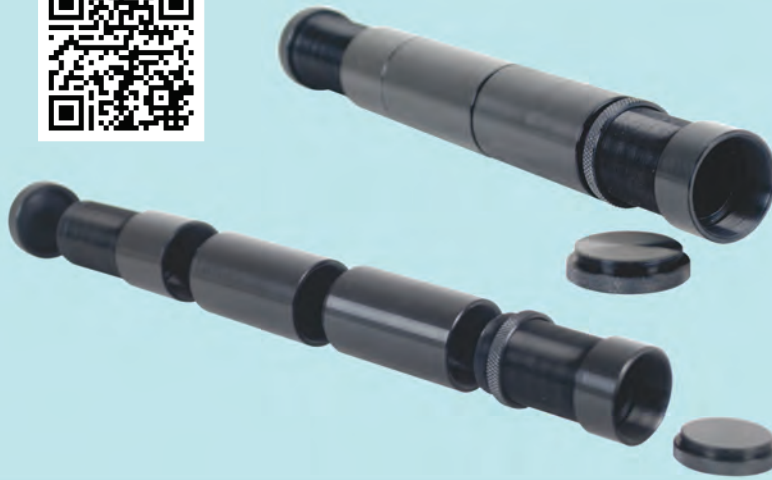
Magnetic Base
Refer Page: 000

Pedestal Fork
Refer Page: 000

Lens Mounts - Lens Tube Assembly System

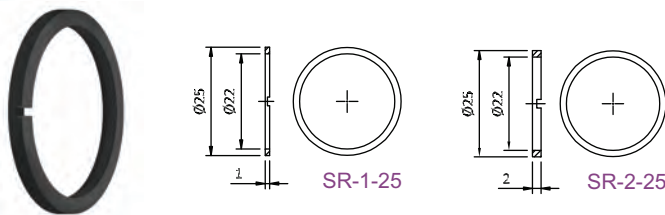
HOLMARC

25mm or 1" Lens Tube Assembly System

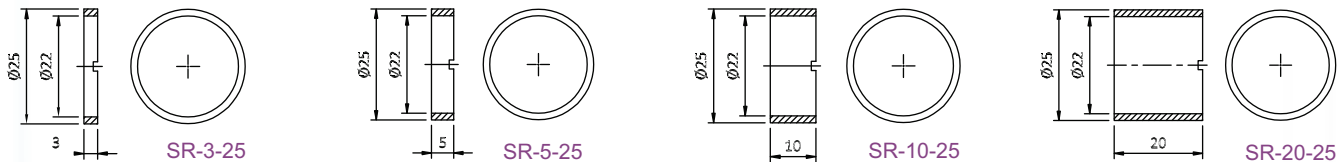


Spacer Rings

Spacer rings are used to maintain gap between two optics. These spacers can be stacked for maintaining gap between optics from 1mm



Model No:	Item	Min. Order Qty
SR - 1 - 25		50 nos
SR - 2 - 25	Spacer	25 nos
SR - 3 - 25	Ring for	15 nos
SR - 5 - 25	25mm / 1"	10 nos
SR - 10 - 25	Optics	5 nos
SR - 20 - 25		5 nos

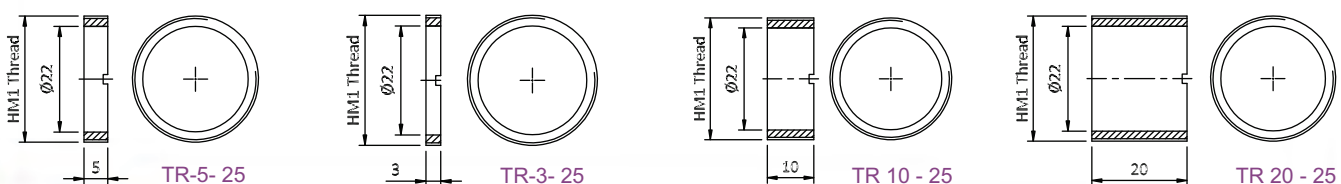


Threaded Rings

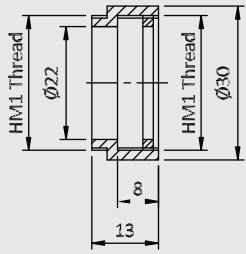
Threaded rings of thickness ranging from 2mm to 20mm can be selected for convenient applications. Spanner slots are provided for easy fastening of optics.



Model No:	Item	Min. Order Qty
TR - 2 - 25		25 nos
TR - 3 - 25	Threaded	25 nos
TR - 5 - 25	Ring for	10 nos
TR - 10 - 25	25mm / 1"	5 nos
TR - 20 - 25	Optics	1no.

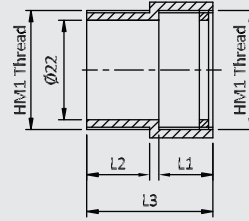


Lens Cells



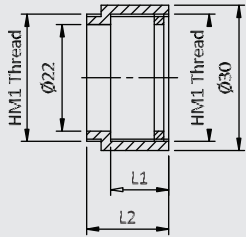
Thin Lens Cell

Model No:
TLC - 25 - 8



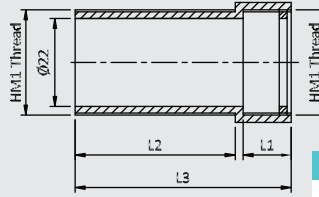
Focusing Lens Cell - Short

Model No:	Length L1, L2, L3
FLCS - 25 - 12	12, 25, 39
FLCS - 25 - 15	15, 25, 42



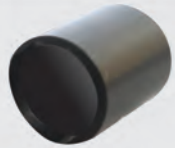
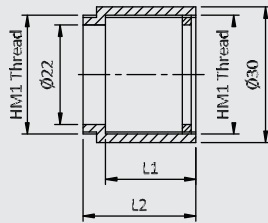
Short Lens Cell

Model No:	Length L1, L2
SLC - 25 - 12	12, 17
SLC - 25 - 15	15, 20



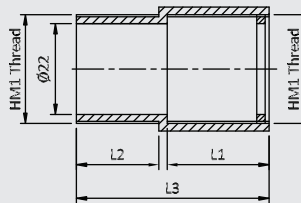
Focusing Lens Cell - Thread

Model No:	Length L1, L2, L3
FLCS-25-12-TL	12, 40, 54
FLCS-25-15-TL	15, 40, 57



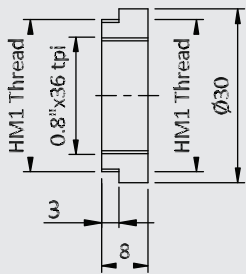
Long Lens Cell

Model No:	Length L1, L2
LLC - 25 - 20	20, 25
LLC - 25 - 25	25, 30
LLC - 25 - 35	35, 40



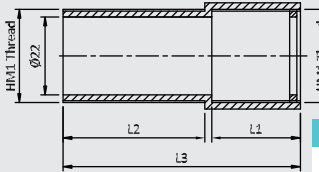
Focusing Lens Cell - Medium

Model No:	Length L1, L2, L3
FLCL - 25 - 20	12, 20, 34
FLCL - 25 - 25	25, 20, 47
FLCL - 25 - 35	35, 20, 57



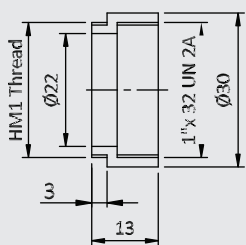
RMS - Objective Adapter

Model No:
RMS - OAD - 25



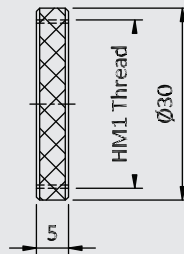
Focusing Lens Cell - Long

Model No:	Length L1, L2, L3
FLCL-25-20-TL	12, 40, 54
FLCL-25-25-TL	25, 40, 67
FLCL-25-35-TL	35, 40, 77



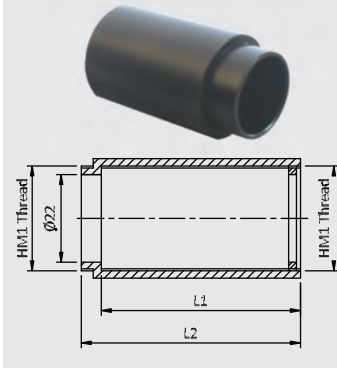
C mount Objective Adapter

Model No:
C - OAD - 25



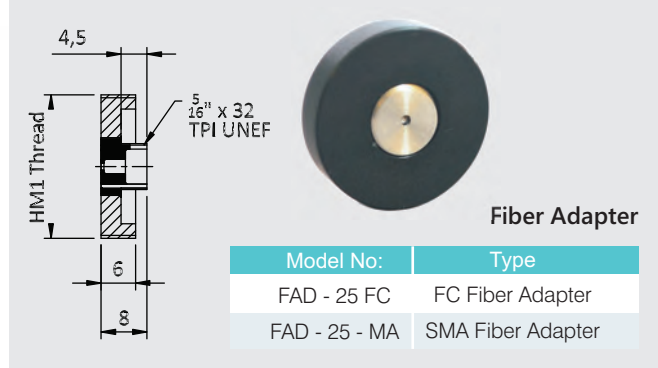
External Locking Ring

Model No:
ELR - 25



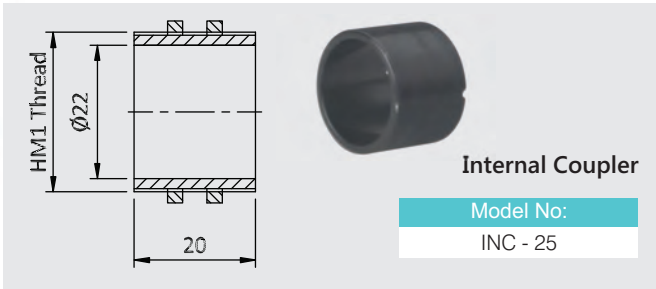
Lens Tubes

Model No:	Length L1, L2
LCT-25-25	25-30
LCT-25-30	30-35
LCT-25-35	35-40
LCT-25-50	50-55
LCT-25-75	75-80
LCT-25-100	100-105
LCT-25-125	125-130



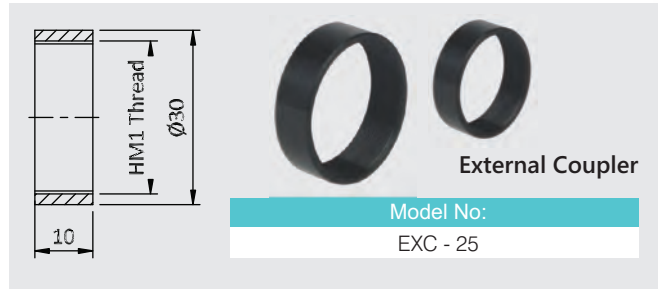
Fiber Adapter

Model No:	Type
FAD - 25 FC	FC Fiber Adapter
FAD - 25 - MA	SMA Fiber Adapter



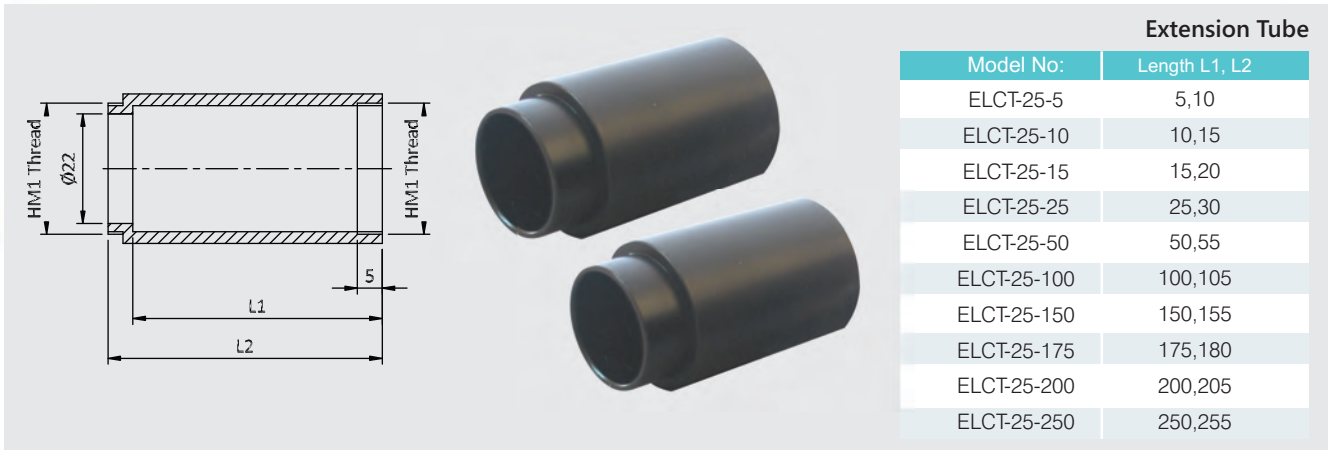
Internal Coupler

Model No:
INC - 25



External Coupler

Model No:
EXC - 25



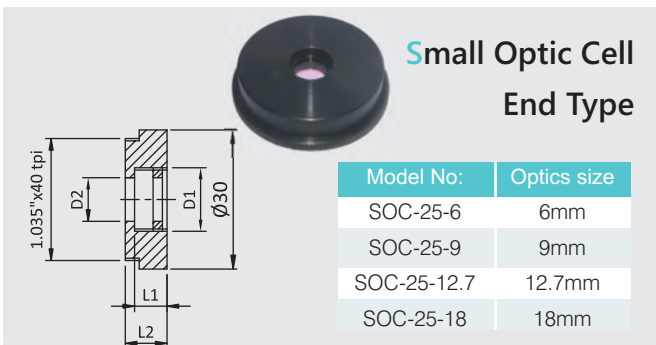
Extension Tube

Model No:	Length L1, L2
ELCT-25-5	5,10
ELCT-25-10	10,15
ELCT-25-15	15,20
ELCT-25-25	25,30
ELCT-25-50	50,55
ELCT-25-100	100,105
ELCT-25-150	150,155
ELCT-25-175	175,180
ELCT-25-200	200,205
ELCT-25-250	250,255



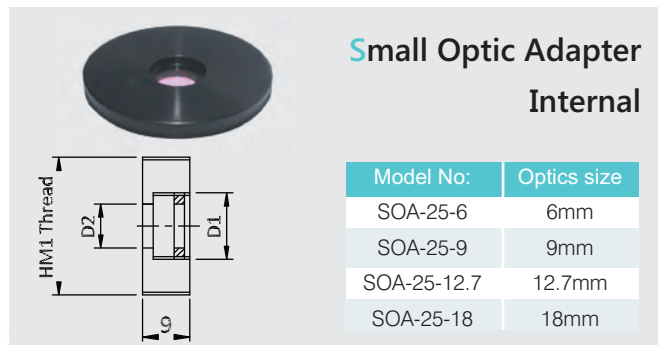
Full Thread Lens Tube

Model No:	Length L1
FLCT - 25 - 10	10
FLCT - 25 - 15	15
FLCT - 25 - 25	25
FLCT - 25 - 35	35
FLCT - 25 - 50	50



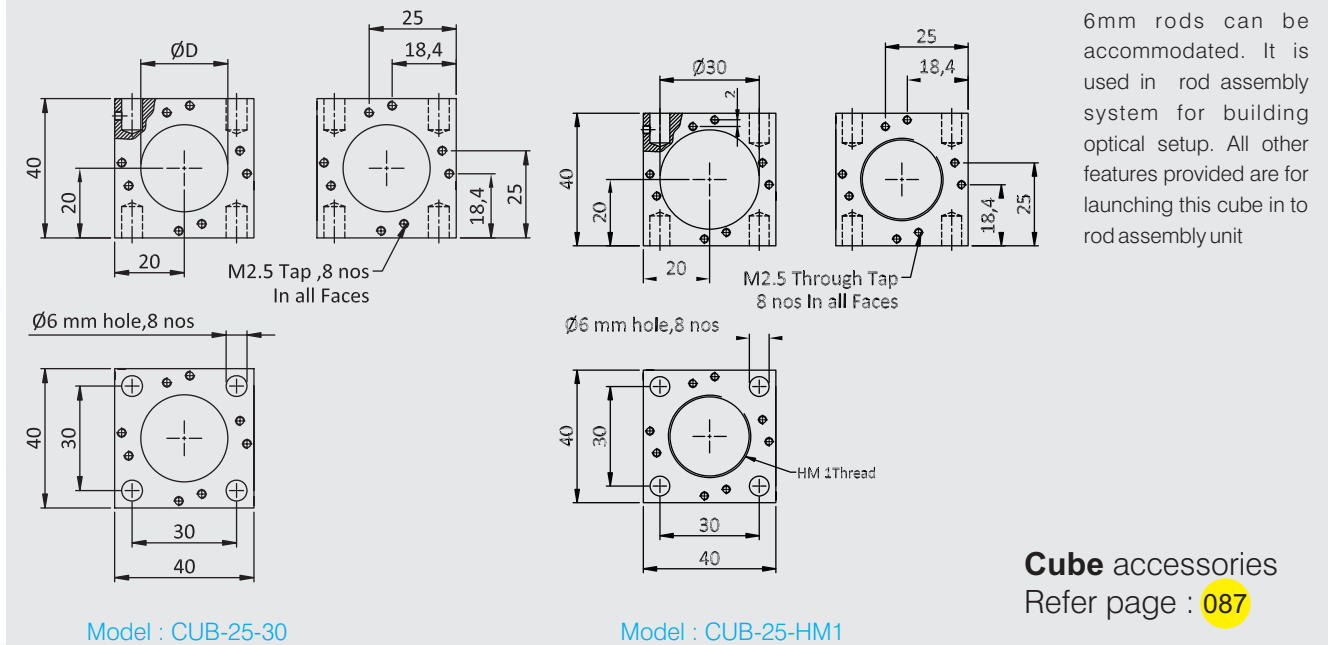
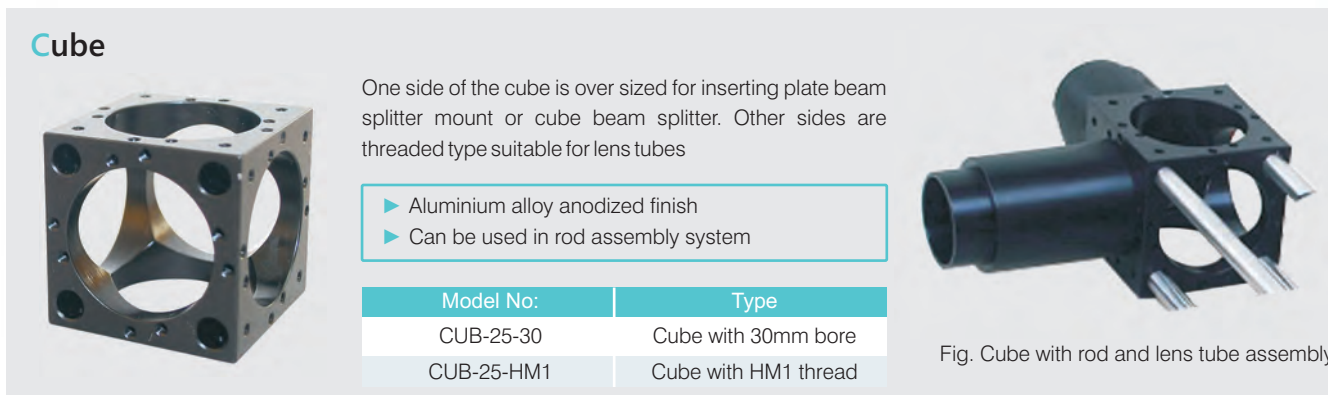
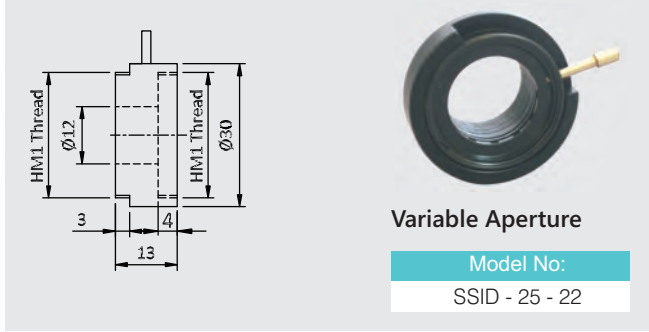
Small Optic Cell End Type

Model No:	Optics size
SOC-25-6	6mm
SOC-25-9	9mm
SOC-25-12.7	12.7mm
SOC-25-18	18mm



Small Optic Adapter Internal

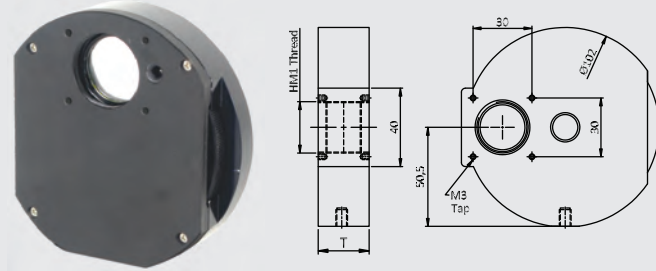
Model No:	Optics size
SOA-25-6	6mm
SOA-25-9	9mm
SOA-25-12.7	12.7mm
SOA-25-18	18mm



Filter Wheel

25mm or 1" diameter filters can be fixed on this filter wheel. This filter wheel is suitable for rod assembly system with internal threading for lens tubes. It can also be used in an optical system by using a post/post holder and M6 or M4 tapped holes provided for fixing to post. Filters are fixed in the wheel through threaded ring by removing the side cover.

- ▶ Post mountable design
- ▶ Suitable for lens tube assembly system
- ▶ Suitable for Rod assembly system
- ▶ 6 No.s of 1" diameter filters can be used for LM-FW1
- ▶ 12 No.s of 1" diameter filters can be used for LM-FW2
- ▶ Numbers indicating densities of the filters are imprinted on the wheel

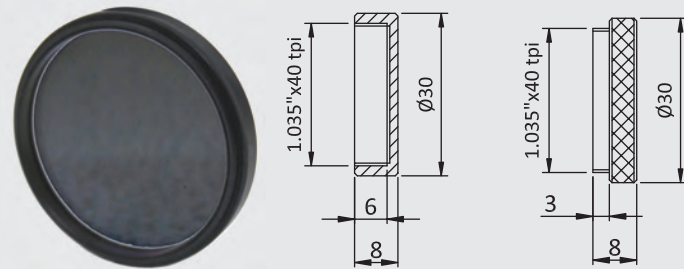


Model No:	Optic Size	No. of Filters	Thickness (T)
LM-FW1	25 mm/ 1"	Upto 6	17
LM-FW2	25 mm/ 1"	Upto 12	28

Beam Blocker

Two types of beam blockers are available, one with external thread and the other with internal thread. They are suitable for blocking beams from cube assembly or lens in tube.

Model No:	Type
BB - 25 - INT	With internal threading
BB - 25 - EXT	With external threading



Lens Tube Holder

Model No:	Holding Method
LTH-25	30 mm dia bore
LTH-25T	HM1 thread



Note : Post, post holder and bases are sold separately



Need customization?

HOLMARC's experienced support engineers will be glad to help you.

Call us at +91 484 2540075 or send us a mail to sales@holmarc.com

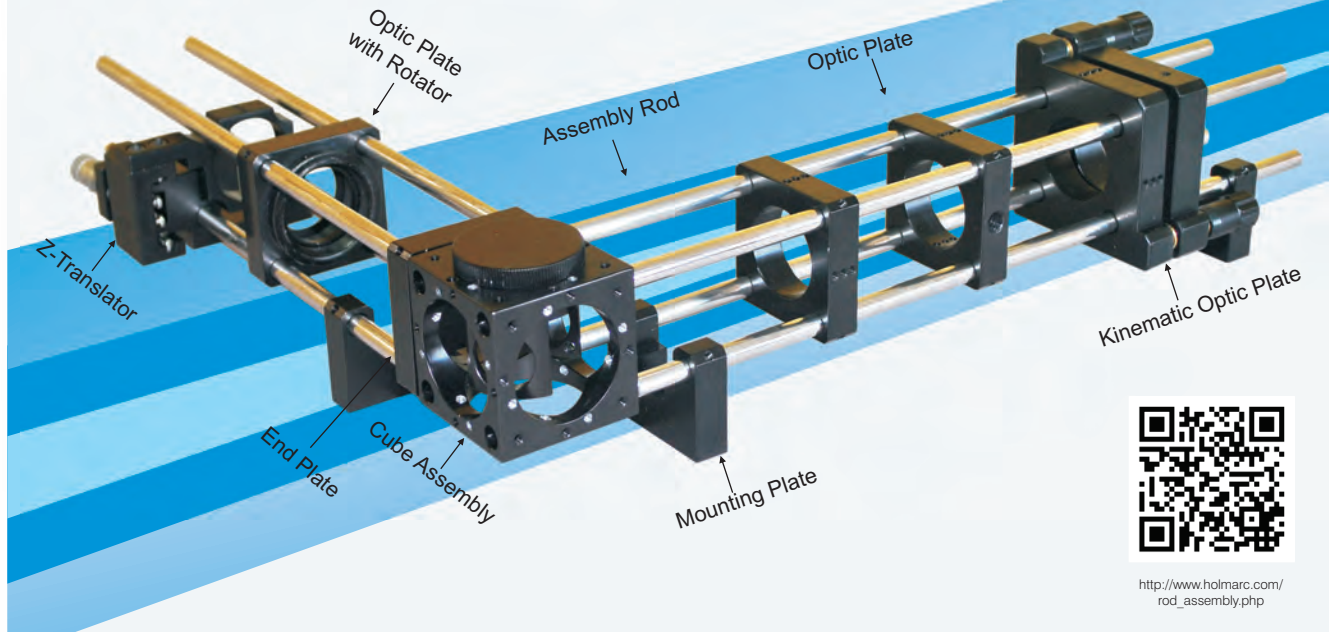
All Products are manufactured and marketed by HOLMARC™ Opto-Mechatronics Pvt. Ltd

For more products and informations, please log on to www.holmarc.com



Rod Assembly System

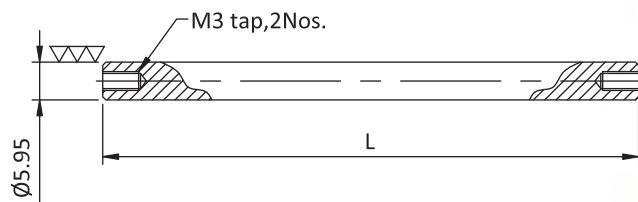
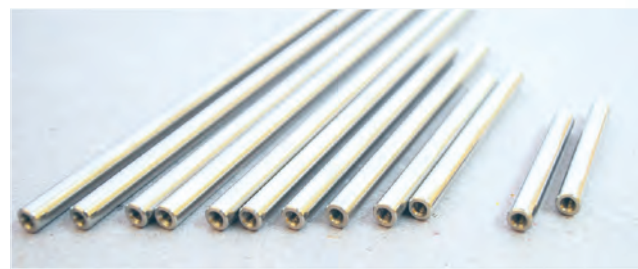
HOLMARC
OPTO-MECHATRONICS PVT.LTD



Assembly Rods

- ▶ 6mm diameter rods
- ▶ Precision ground finish
- ▶ M3 tapped holes at both ends

Model No:	Length (mm)
CGRD-CG-50	50
CGRD-CG-75	75
CGRD-CG-100	100
CGRD-CG-150	150
CGRD-CG-200	200
CGRD-CG-250	250



Optic Plates

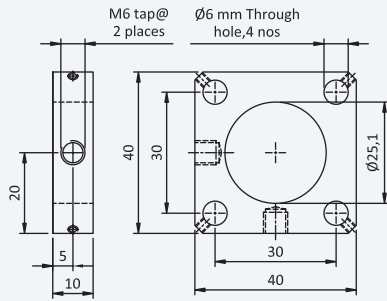
Through Threaded Optic Plate

Model : M-TOP-25

1" / 25mm Stepped Bore Optic Plate - Threaded Type

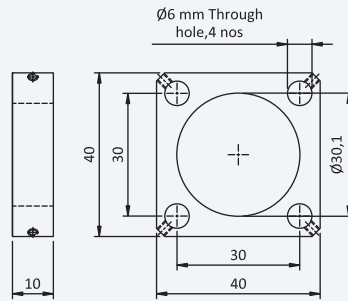
Model : M-ST-OP-25

25mm Unthreaded Optic Plate

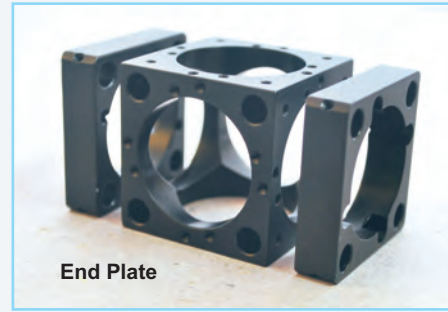


Model : M-OP-25

30mm Unthreaded Optic Plate



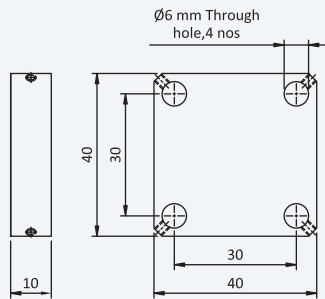
Model : M-OP-30



End Plate

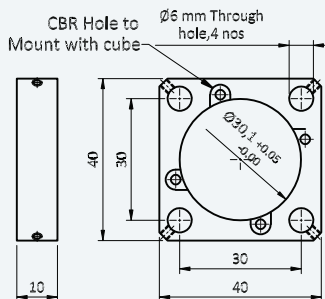
End Plate

Model : M-PS-OP-30



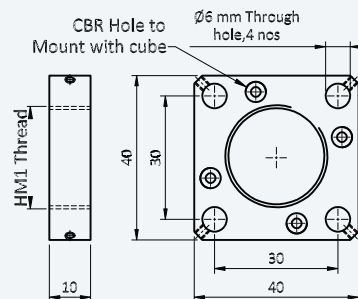
Plane surface type

Model : M-CUB-OP-30

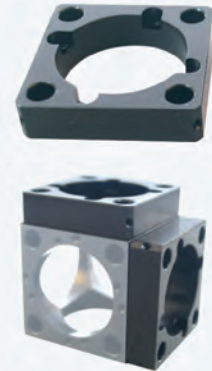


30 mm Bore

Model : M-CUB-OP-25



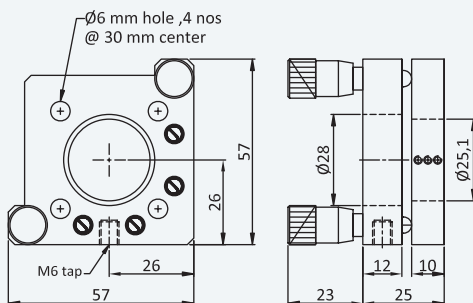
HM1 Thread



Kinematic Optic Plate

Translators are used for moving optics in Kinematic, XY and Z Directions, All translators are having 25mm bore and are suitable for mounting optics, accessories and adapters having 25mm size.

Model No:	Optice size	Type
M-KM-25	Ø 25mm	Through bore thread
M-TKM-25	Ø 25mm 1"	HM1



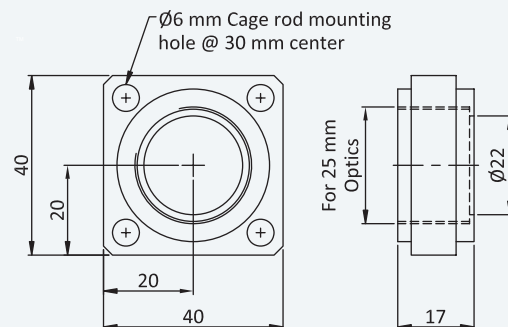
Course Rotator



http://www.holmarc.com/rod_assembly.php



Model : M - PMR 25



Translators

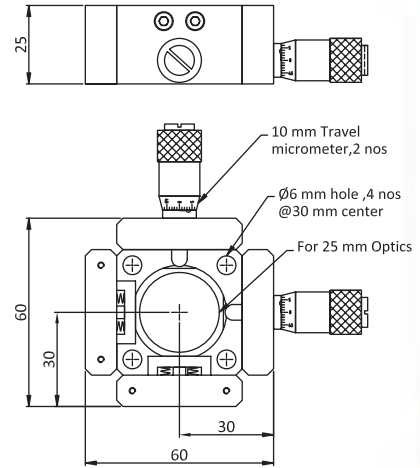
XY Translator

Model : M-TR-XY25



http://www.holmarc.com/rod_assembly.php

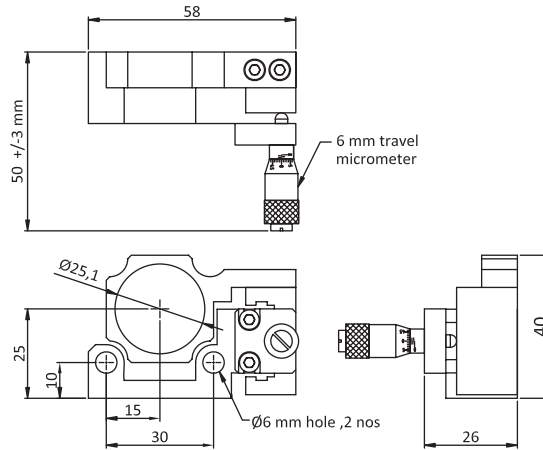
- ▶ Compatible with rod assembly
- ▶ 2mm travel X&Y Axis
- ▶ Micrometer drive
- ▶ 25mm diameter optics holder
- ▶ Optics held by grub screws



Z Translator

Model : M-TR-Z25

- ▶ Compatible with rod assembly
- ▶ 6mm travel
- ▶ Micrometer drive
- ▶ 25mm diameter optics holder
- ▶ Optics held by grub screws



Cube Accessories

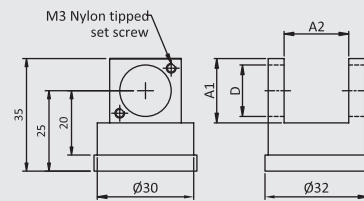
For cube for rod assembly - Refer page : 086

Cube Prism Holder



25mm cube prism can be placed inside the cube using this prism holder. Nylon tipped set screws are used to fix the prism to the cube prism holder. The holder can be rotated manually and locked with an accuracy of 2°.

Model No:	Cube size
CUB-CB-25-25	25mm cube
CUB-CB-25-15	15mm cube



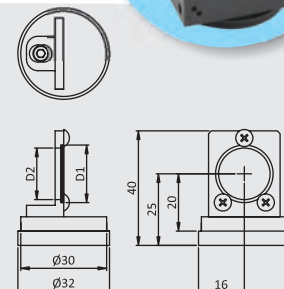
>> Plate beam splitter holder in cube unit - Refer page : 087

Plate Beam Splitter Holder



25mm Plate beam splitters can be placed inside the cube using Plate beam splitter holder. Holder can be rotated manually with a positioning accuracy of 2° and can be locked by a set screw and allen key.

Model No:	Cube size
CUB-PB-25-25	Dia-25mm x 2mm beamsplitter
CUB-PB-25-15	Dia-15mm x 2mm beamsplitter



Adapters

Fiber Connector



Fiber Chuck



Iris Diaphragm



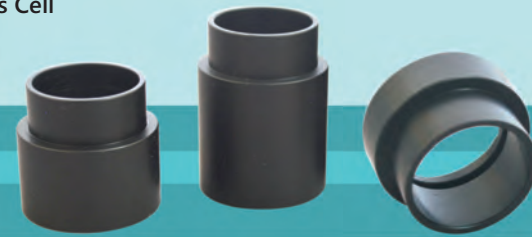
Microscope Objective Adapter



Pin Hole Cell



Lens Cell



Item	Model	Suitable Cage Plate / Type of cage plate
Lens Cell	M - OP - LC25	OP - UT - 25
Filter Cell	M - OP - FL25	OP - UT - 25
M.O Adapter	M - OP - MO	OP - UT - 25
FC Fiber Connector	M - OP - FC01	OP - UT - 25
Fiber Chuck	M - OP - FC02	OP - UT - 25
Pinhole Cell	M - OP - P H01	OP - UT - 25
Iris Diaphragms	M - OP - ID18	OP - UT - 25

Lens Cells and Lens Tubes

Item	L1, L2	Suitable Cage Plate / Type of cage plate
LNST - CG - 12.5	16.5	OP - UT - 25
LNST - CG - 25	28	OP - UT - 25
LNST - CG - 30	34	OP - UT - 25
LNST - CG - 38	41	OP - UT - 25
Lens Tubes	Refer pages 00-80	OP - TT - 25

Base Mounting Platform

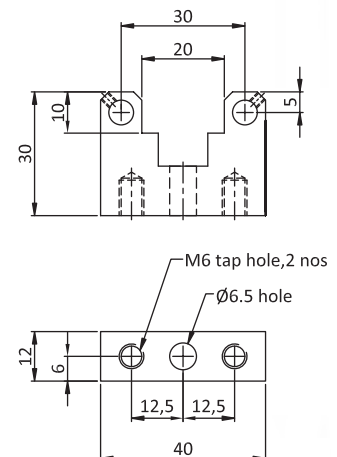
Base mounting plate has M6 tapped holes at bottom for mounting on post or base.

Model No:

M-OP-BMP-M6



http://www.holmarc.com/rod_assembly.php



Lens Mounts

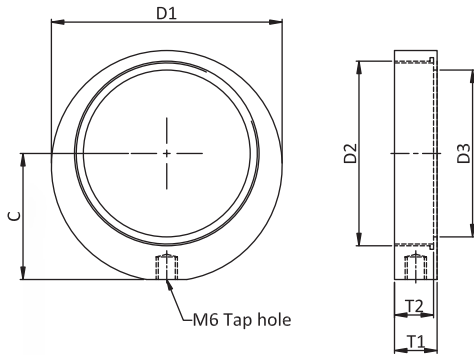
Rigid Lens Mounts



RLM series rigid lens mounts are post mountable. Optics are held by threaded ring inside a threaded bore of the device. Rigid lens mounts are manufactured in aluminium alloy and given black anodized finish. Rigid lens mounts can be customized as per customer's optics size or requirement.



http://www.holmarc.com/lens_mounts.php



Model No:	Optics Size	D1	Thread	D3	T1	T1(with out ring)	C
RLM - 10	10mm or 3/8"	22	HM10	8.5	10	9	10
RLM - 12.5	12.5mm or 0.5"	24	HM125	11	10	9	14.5
RLM - 18	19mm or 0.75"	31	HM18	16	10	9	15.5
RLM - 20	20mm	32	HM20	18	10	9	18
RLM - 25	25mm or 1"	35	HM1	23	12	11	18.5
RLM - 30	30mm or 1.2"	42	HM30	23.5	12.5	11.5	21.5
RLM - 32	32mm	44	HM1-32	25	12.5	11.5	24
RLM - 38	38mm or 1.5"	50	HM1.5	27	12.5	11.5	25
RLM - 50	50mm or 2"	65	HM2	47	12	11	35.5
RLM - 75	75mm or 3"	90	HM3	75	16	14	49.5
RLM - 100	100mm or 4"	120	HM4	94	23	20	66

Rigid Camera Lens Mounts

These rigid mounts can be used to hold lens assemblies in an optical set up using standard post system.

Model No:	Type
MOH - R	RMS Mount
MOH - C	C Mount
SP - CA - 25	Special mount for camera lens

Specifications

Mounting Method for assembly lens	: Split Clamp
Mounting Method for C-Mount lens	: C Mount Thread
Material	: Aluminium
Post Mounting	: by M6 Threaded Holes



For more products and informations, log on to www.holmarc.com or contact us at mail@holmarc.com

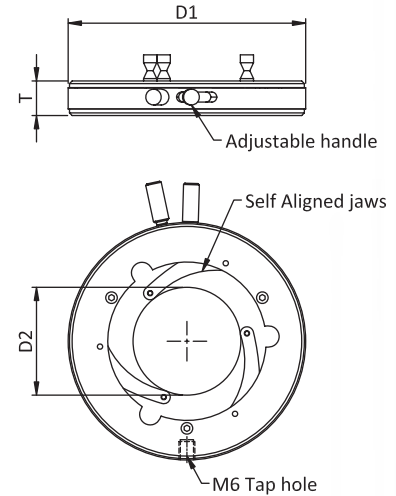
Manufactured & Marketed by
HOLMARC
OPTO-MECHATRONICS PVT.LTD

Self Centering Lens Mounts



Self-centering lens mounts are suitable for experiments where frequent replacement of lens is required. The lens is held using three spring loaded calipers. The calipers are released by two levers projecting from the mount. The lens is held in position by spring tension and can be locked in position by a knob.

- ▶ Self aligning jaws
- ▶ M6 mounting hole
- ▶ Post mountable
- ▶ Aluminium alloy
- ▶ Black anodized finish
- ▶ Upto 3" optics can be mounted



Model No:	Lens Size Min - Max (mm)	D1 (mm)	D2 (mm)	T (mm)
SCLM - 50	6 - 50	90	(max-50) (min-6)	16
SCLM - 75	6 - 75	125	(max-75) (min-6)	16
SCLM - 100	6 - 100	125	(max-100) (min-6)	16

Self centering Mount with Adjustable knob

This self centering mount can be used to hold comparatively large optic (upto 104 mm dia) using self centering jaws. These jaws are held in position by adjustable lead screws for firm clamping.

Model No:	Optics Size
SCLM-AK - 50	6 - 50
SCLM-AK - 75	6 - 75
SCLM-AK - 100	6 - 100

- ▶ Minimum optics diameter : 20mm
- ▶ Maximum optics diameter : 104mm
- ▶ Maximum thickness : 22mm
- ▶ Locking : by two screw adjusters
- ▶ Sensitivity: 4 arc sec.
- ▶ Mounting hole: M6 Tapped hole for post mounting



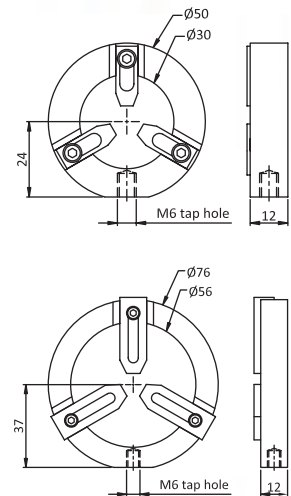
Circular Adjustable Lens Mount



Lens is held between nylon tips having angular grooves. These nylon tips provide protection for optics. Lenses of various sizes can be mounted with the help of this mount.

- ▶ Three point contact design
- ▶ Up to 50 mm diameter optics can be held
- ▶ Can be directly fixed to standard post with M6 set screw

Model No:	Optic Size. (mm)	Center height (mm)
ALM - C - 25	5 - 25	24
ALM - C - 50	25 - 50	37



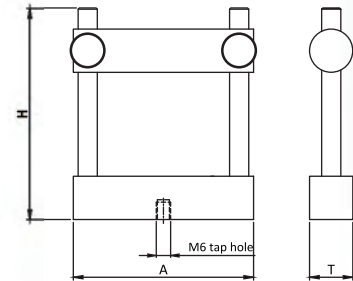
Bar Type Adjustable Lens Mount



Bar type lens mounts are suitable for fixing cylindrical lenses, optical plates etc. These are post mountable with M6 mounting hole provided at the bottom of the mount. M4/M6 locking screws are provided for fixing sliding bar at desired position. Construction material is aluminium.

- ▶ Bar type mounting design
- ▶ Optics Up to 165mm can be held
- ▶ Suitable for cylindrical lens
- ▶ Can be fixed directly to M6 threaded post

Model No:	Maximum Size(mm)	A (mm)	H (mm)	T(mm)
ALM - B - 50	50	85	90	15
ALM - B - 90	90	126	145	18
ALM - B - 135	135	165	200	25
ALM - B - 165	165	200	245	25



V Type Adjustable Lens Mount



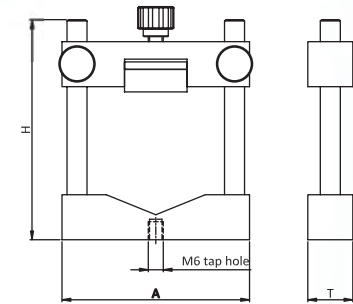
http://www.holmarc.com/adjustable_lens_mount_v_type.php

Model No:	Optics Size(mm)	H(mm)	A(mm)	T(mm)
ALM - 25	25	47	42	12
ALM - 50	50	88	75	18
ALM - 75	75	114	100	18
ALM - 100	100	154	140	18



Easy to hold lenses, cylindrical lenses, optical rods etc. with three point contact using linearly adjustable non rotating bar with M6 locking screws. Adjustable lens mounts are made of aluminium alloy. These are post mountable with M6 mounting hole at the bottom.

- ▶ Three point contact design
- ▶ Can hold optics up to 100mm diameter
- ▶ Suitable for holding cylindrical objects like laser tube, lens tube etc.
- ▶ Can be fixed directly to standard post with M6 set screw

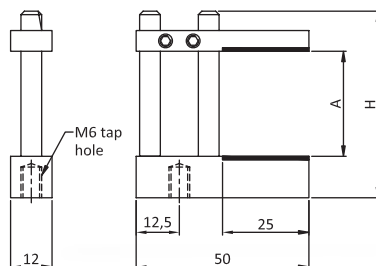


Cylindrical Lens Mounts



This CLM series lens mounts are suitable for rectangular or square cylindrical lenses. These can be used to mount lenses up to 50 mm .

- ▶ Suitable for rectangular/square cylindrical lenses
- ▶ Rubber pad is affixed to the holding surface for protecting optics
- ▶ M6 mounting holes
- ▶ Post mountable



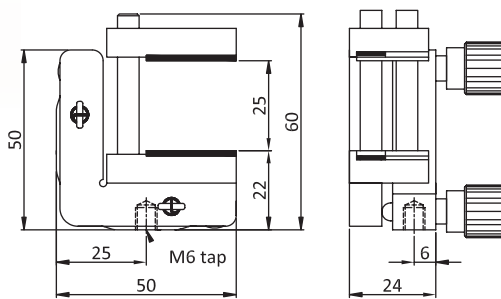
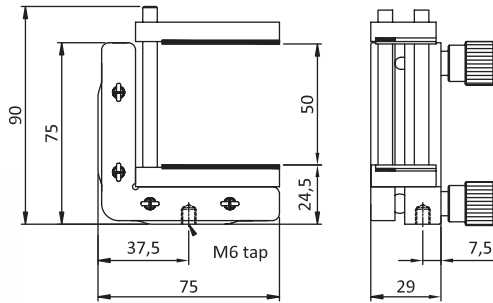
Model No:	A	H
CLM-15	15mm	34mm
CLM-25	25mm	44mm
CLM-30	30mm	54mm
CLM-50	50mm	79mm

Kinematic Cylindrical Lens Mount

These mounts have two tilt adjustments by 100 tpi lead screws. Optics is held by a clamp which slides on a post.

Specifications

Angular Tip / Tilt	:	+/- 3°
Translation Range	:	6mm (Selected Models Only)
Linear Resolution	:	0.25mm / Rotation
Sensitivity	:	4 arc sec.
Mounting Hole	:	M6 / M4
Mounting Orientation	:	Vertical & Horizontal



http://www.holmarc.com/kinematic_cylindrical_lens_mount.php

Model No:
KCLM-50



Model No:
KCLM-75

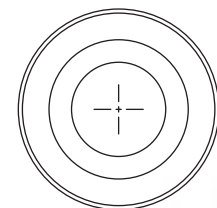
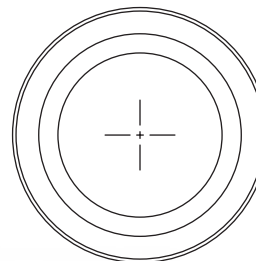
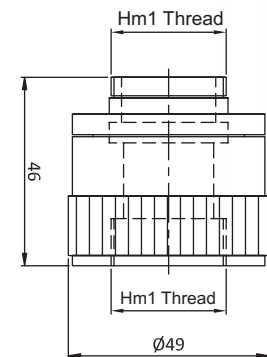
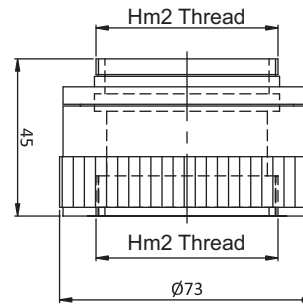


http://www.holmarc.com/focus_adjustable_lens_mount.php

Focus Adjustable Lens Mounts

This focus adjustable lens mount is used to adjust the focus of a lens by backward and forward motion of the lens mounted in it. The focal adjustment is done by rotating focusing head provided on the mount without rotating the lens inside. Lens is held in position by threaded rings inside a threaded bore of the device.

Model No:	Optic dia(mm)	Suitable mounts
FALM-25	25/1"	RLM-25
FALM-50	50/2"	RLM-50



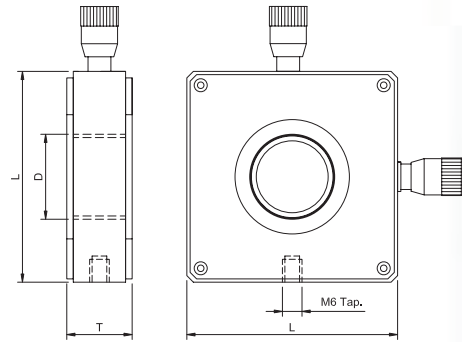
YZ Lens Mounts/Objective Lens Mounts



This YZ lens mount provides linear adjustments along YZ axis using precision spring loaded lead screws.



- ▶ YZ travel range 4mm
- ▶ Optics held by threaded rings
- ▶ Up to 2" optics can be mounted
- ▶ M6 mounting holes
- ▶ Post mountable
- ▶ Aluminium alloy and stainless steel construction
- ▶ Black anodized finish

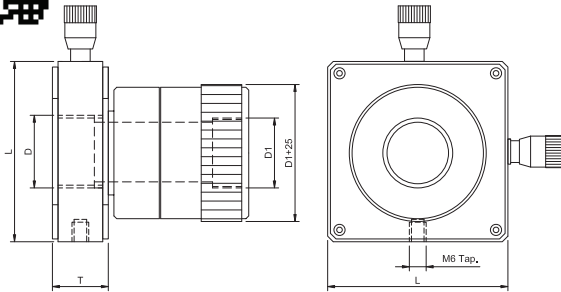


Model No:	Optic Size	Thread Type	D(mm)	L(mm)	T(mm)
YZLM-25	25/1"	HM1	25	65	20
YZLM-50	50/2"	HM2	50	90	20
XYMOH	RMS Thread	RMS	18	50	12

XYZ Lens Mounts



This XYZ lens mount consists of focus adjustable mount in X axis and translation movement in Y and Z axes. In this case our FALM series lens mount is fixed to YZ mounts (YZLM series).



- ▶ YZ travel range: 4mm
- ▶ X travel: 10mm
- ▶ Optics held by threaded rings
- ▶ Up to 2" optics can be mounted
- ▶ M6 mounting holes
- ▶ Post mountable
- ▶ Aluminium alloy and stainless steel construction
- ▶ Black anodized finish



Model No:	Optic Size	D	D1	L	T
XYZLM-25	25/1"	25	25	65	20
XYZLM-50	50/2"	50	50	90	20

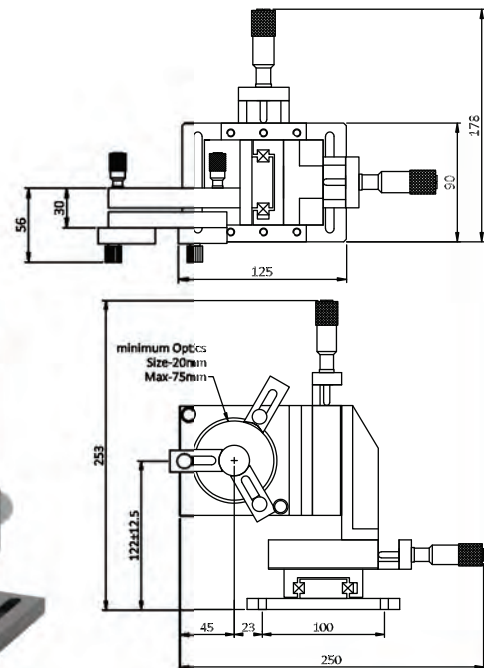
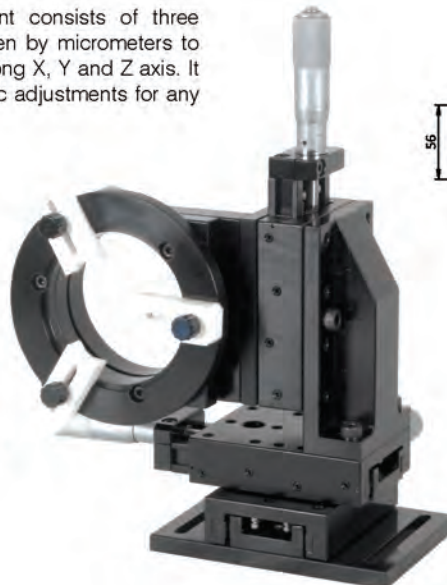
Five Axis Lens Mount for 25mm to 75mm Optics



This multi-axis lens mount consists of three precision liner stages driven by micrometers to provide fine positioning along X, Y and Z axis. It also has two axis kinematic adjustments for any optics mounted on it.

- ▶ XYZ travel range: 25mm
- ▶ Tilting range : +/- 2.5 degree
- ▶ Optics held by adjustable jaws
- ▶ Optics size 20 to 75mm can be mounted
- ▶ Base mountable
- ▶ Aluminium alloy construction
- ▶ Black anodized finish

Model No:	Optics Size(mm)
5XTKM-50	20 to 75





Five Axis Lens Mount Large Optics

These mounts have three linear adjustments with translation stages and two tilt adjustments with a kinematically held mounting surface. The optics is secured by self centering jaws.

- ▶ Angular Tip / Tilt: +/- 3°
- ▶ Travel X: 50mm
- ▶ Travel Y&Z: 25mm
- ▶ Linear resolution: 10 microns
- ▶ Sensitivity: 4 arc sec.
- ▶ Mounting Hole: M6 Clear Slots base plate
- ▶ Drive: 100 tpi lead screw for tilting and micrometer for XYZ stage
- ▶ Minimum optics diameter : 20mm
- ▶ Maximum optics diameter : 104mm

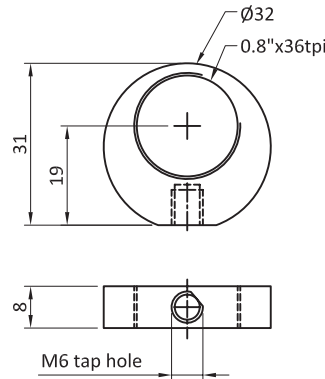
Model No:	Optics Size
5ALM-75	20mm to 75mm
5ALM-100	20mm to 104mm



Rigid Objective Lens Mounts



Rigid objective lens mounts have standard RMS threads or C Mount threads. These mounts are aluminium alloy 6061 contraction with black anodized finish. M6 mounting hole is provided for post mounting application.



Model No:	Thread Type	Inside D
MOH-R	"RMS" thread	Microscopic Objective
MOH-C	"C" Mount Thread	Microscopic objective or 'C' Mount objective

Microscope objective Mounts

RLM series lens mounts are suitable for lens tubes, objective lens, condenser lens, beam expanders etc...



Refer page: 089

Kinematic Lens Mounts/Objective Lens Mounts



KLM series threaded type mounts are suitable for mounting Lenses, Microscope objectives, C mount microscopic objectives and camera lenses, lens tubes, condenser lens, beam expanders etc. In KLM series kinematic mounts, optics are held in

the threaded bore by a threaded ring or suitable threaded optical components. This mount is post mountable type with M6 mounting hole at the bottom.

Model No:	Max. Optic Size. (mm)	Thread Type
KLM - 25	For 1"/25mm optics and 1"/25mm lens tubes	HM1
KLM - 50	For 2"/50mm optics and 2"/50mm lens tubes	HM2
KMMOH	For Microscopic Objectives	RMS thread
KLM - C	For Camera Lens or Microscopic Objective	C Mount thread

Mount with tilt and Translation

Model No:	Max. Optic Size. (mm)	Thread Type
KLM - T - 25	For 1"/25mm optics and 1"/25mm lens tubes	HM1
KLM - T - 50	For 2"/50mm optics and 2"/50mm lens tubes	HM2
KMMOH-T	For Microscopic Objectives	RMS thread
KLM - T - C	For Camera Lens or Microscopic Objective	C Mount thread



Specifications

Angular Tip / Tilt	:	+/- 3°
Translation Range	:	6mm (Selected Models Only)
Linear Resolution	:	0.25mm / Rotation
Sensitivity	:	4 arc sec.
Mounting Hole	:	M6 / M4
Mounting Orientation	:	Vertical & Horizontal
Optics Held in	:	Threaded Bore with Ring

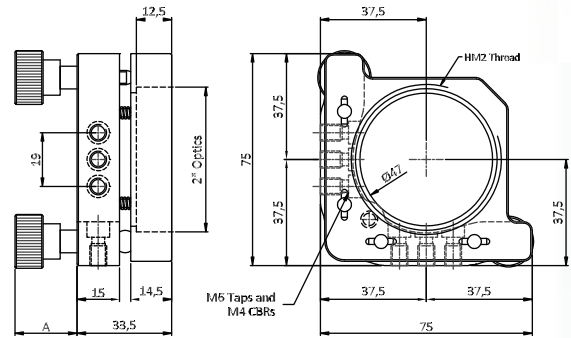
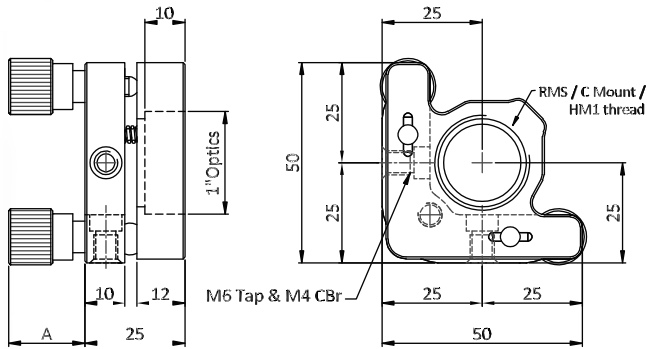
YZ Lens Mounts/Objective Lens Mounts

This YZ lens mount provides linear adjustments along YZ axis using precision spring loaded lead screws.

Model No: XYMOH

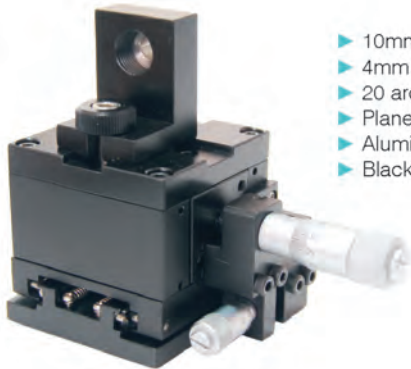
Refer page: 093





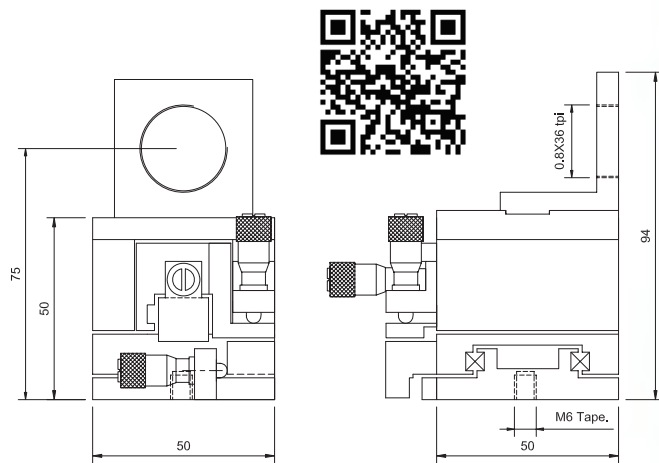
XYZ Objective Mounts

XYZMOH Series microscope objective mounts have 10mm travel in X direction. This mount is also suitable for PHC-1 and PHC-2 series pinhole cell.



- ▶ 10mm travel in X direction
- ▶ 4mm travel in Y&Z direction
- ▶ 20 arc sec. sensitivity
- ▶ Plane bearing system
- ▶ Aluminum alloy
- ▶ Black anodized finish

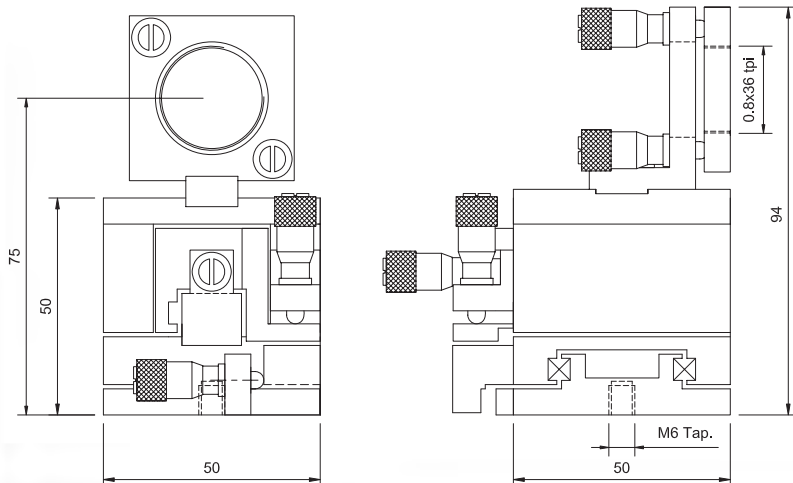
Model No:
XYZMOH



5 axis Objective Mounts 5AMOH Series



5AMOH series microscope objective mounts have precision movements in five directions. The positioner employs three precision linear stages for X, Y and Z-axes and a kinematic mount for precision tilt adjustments in two planes. For linear stages, precision, preloaded rolling contact ball bearing guideways are used for frictionless and stick-slip free positioning. The device is constructed in aluminium alloy and finished by black anodizing.



Model No:
5AMOH

- ▶ 10mm travel in X direction
- ▶ 6mm travel in Y&Z direction
- ▶ +/-2 degree tilting
- ▶ 20 arc sec. sensitivity
- ▶ Aluminium alloy
- ▶ Black anodized finish
- ▶ Suitable for PHC-1 and PHC-2 series pinholes

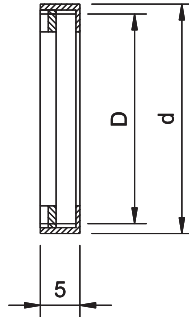
Filter Mounts

Filter Cells

Filter cell is a circular mount having inside treads. Filter is held inside the cell by threaded rings.

- ▶ 5mm thickness for the cell
- ▶ Up to 3mm thick filter can be held

Model No:	Optic Diameter : D	Cell Diameter : d
CFC - 12.5	12.5 mm / 0.5"	18 mm
CFC - 25	25 mm / 1"	30 mm
CFC - 38	38 mm/ 1.5"	44 mm
CFC - 50	50 mm/ 2"	54 mm



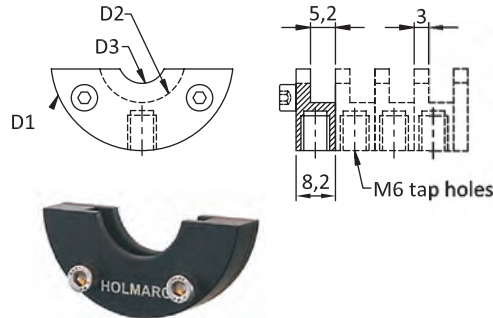
http://holmarc.com/filter_holder.php



Quick Change Multiple Filter Holder

This filter holder has semi-circle shape so that filter can be inserted or replaced quickly. The holders can be stacked together as well.

- ▶ Up to 6 filter cells can be stacked
- ▶ M6 tapped hole for post mounting
- ▶ Aluminium construction
- ▶ Black anodized finish

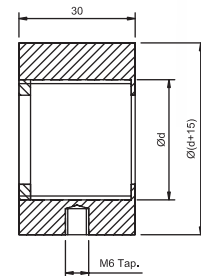


Model No:	Optic Diameter : D	Filter Cell model	D1	D2	D3
QC - FCH - 12.5	12.5 mm / 0.5"	CFC - 12.5	38	18	10
QC - FCH - 25	25 mm / 1"	CFC - 25	50	30	22
QC - FCH - 38	38 mm/ 1.5"	CFC - 38	62	44	34
QC - FCH - 50	50 mm/ 2"	CFC - 50	70	54	42

Filter Cell Holder - FCH Series

This holder has M6 tapped holes for post mounting. Filter cell is mounted inside the holder by threaded rings.

- ▶ Up to 5 filter cells can be stacked
- ▶ The cells held by threaded rings
- ▶ M6 mounting hole
- ▶ Post mountable
- ▶ Aluminium construction
- ▶ Black anodized finish

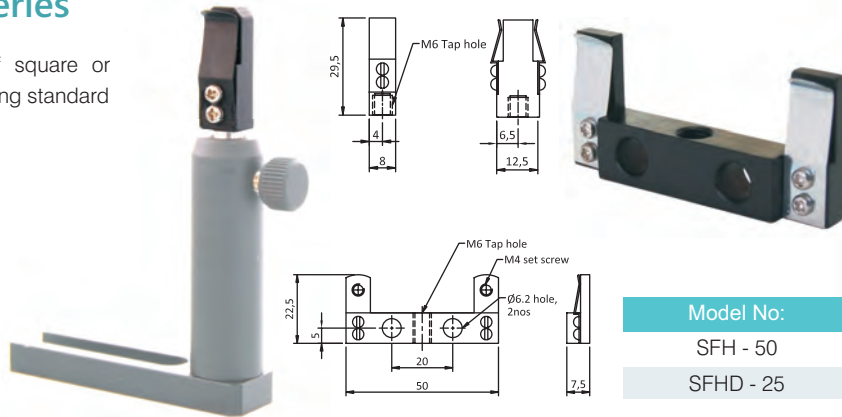


Model No:	Optic Dia.(D)	d	Suitable Filter Cells
FCH - 12.5	12.5 mm / 0.5"	18	CFC - 12.5
FCH - 25	25 mm / 1"	30	CFC - 25
FCH - 38	38 mm/ 1.5"	44	CFC - 38
FCH - 50	50 mm/ 2"	54	CFC - 50

Square Filter Holder - SFH Series

These mounts are suitable for holding filters of square or rectangular shapes. The device can be mounted using standard posts having M6 tapped holes

- ▶ Suitable for rectangular/square filters
- ▶ Quick removal of filters
- ▶ Optics held by leaf springs
- ▶ Up to 6 filter holders are stackable
- ▶ M6 mounting holes
- ▶ Post mountable



Model No:

SFH - 50

SFHD - 25

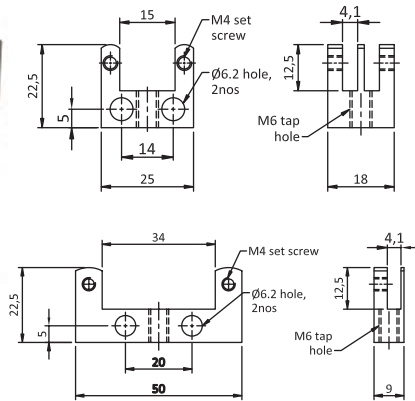
Rectangular Filter Holder - RFH Series



Model No:

RFH - 50

RFHD - 25



In this holder, filters are fixed by nylon tipped set screws. This filter holder is post mountable, having M6 tapped hole at bottom.



http://holmarc.com/filter_holder.php

- ▶ Economical
- ▶ Suitable for rectangular / square filters
- ▶ Optics held by nylon tipped set screw
- ▶ M6 mounting holes
- ▶ Post mountable
- ▶ Aluminium alloy
- ▶ Black anodized finish



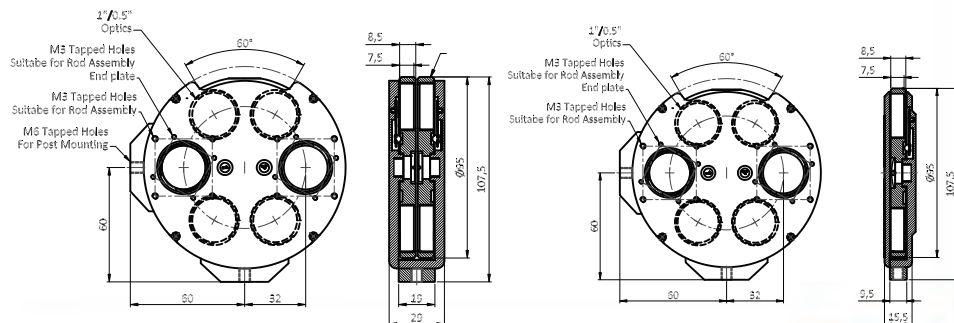
Filter Wheel

Filter Wheel FW series can hold up to 12 filters of 1 inch diameter at a time. Filters are held by threaded ring. The filter wheel can be rotated and positioned at desired location.

Model No:	Optic Size	Number of Filters	Type of Filter wheel
FW - 0.5 - 1	12.5mm / 0.5"	6	Single Filter Wheel
FW - 0.5 - 2	12.5mm / 0.5"	12	Dual Filter Wheel
FW - 1 - 1	25mm / 1"	6	Single Filter Wheel
FW - 1 - 2	25mm / 1"	12	Dual Filter Wheel



- ▶ Up to 12 filters can be held
- ▶ 3 point spring loaded ball latches
- ▶ Filters held by threaded rings
- ▶ M6 mounting hole
- ▶ Post mountable
- ▶ Aluminium alloy
- ▶ Black anodized finish



Stackable filter wheel



Two or more filter wheels (upto 5) can be stacked in this device for multiple filter assembly. Standard wheels can accommodate four filters.

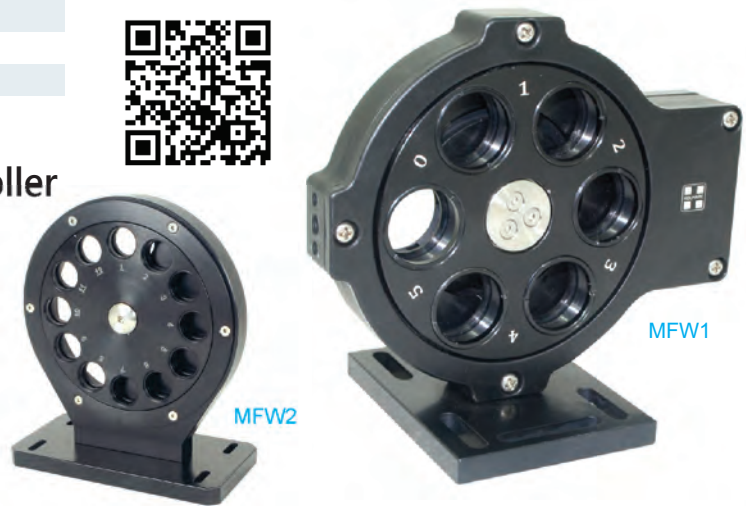
Specifications

Number of filters which can be held in a single filter wheel :	4nos
Number of filter wheel which can be stacked in the mount :	5nos
Optics Size :	25mm/1"
Maximum Thickness :	4 mm
Optics Held By :	Threaded Ring
Filter Inclination :	4 degree
Mounting Hole :	M6 Tapped hole for post mounting
Construction :	Aluminium
Finish :	Black anodized

Model No:	Optics Size	Number of filter wheel	Number of filters
SFW-1	25mm/1"	1	4
SFW-2	25mm/1"	2	8
SFW-3	25mm/1"	3	12
SFW-4	25mm/1"	4	16

Motorized Filter Wheel with Controller

In this model of motorized filter wheel, selection of filters is by a stepper motor mechanism. It facilitates fast and accurate selection of filters in an optical system. Using a suitable stepper motor controller and drive, this device can be integrated to an optical experiment setup, making light filtering process fast and flexible.



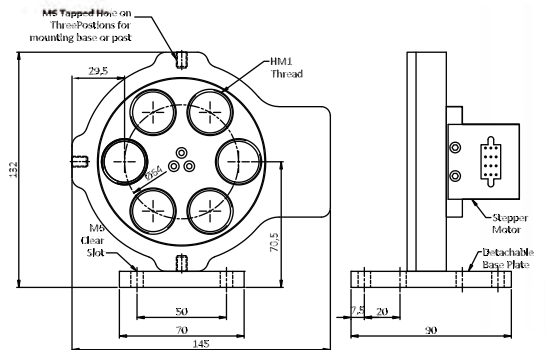
- ▶ Up to 8mm thick filters can be held
- ▶ Post mountable
- ▶ Separate base plate provided for mounting directly to breadboard
- ▶ M6 / M4 Mounting holes

Specifications

Number of filters can be held in a single filter wheel :	5nos, 6 nos, or 12 nos
Optics Size :	12.5mm, 25mm/1" , 50mm/2"
Maximum Thickness :	8 mm
Optics Held By :	Threaded Ring
Filter Inclination :	4 degree
Mounting Hole :	M6 Tapped hole for post mounting
Construction :	Aluminium
Finish :	Black anodized

Model No:	Optics Size	Number of filters in a wheel	Type
MFW-1	25mm/1"	6	Single Filter Wheel of 6 filters of dia-25mm/1"
MFW-2	25mm/1"	12	Single Filter Wheel of 12 filters of dia-25mm/1"
MFW-0.5	12.5mm/0.5"	6	Single Filter Wheel of 6 filters of dia-12.5mm/0.5"
MFW-0.5-5	12.5mm/0.5"	5	Single Filter Wheel of 5 filters of dia-12.5mm/0.5"

MFW1



MFW2

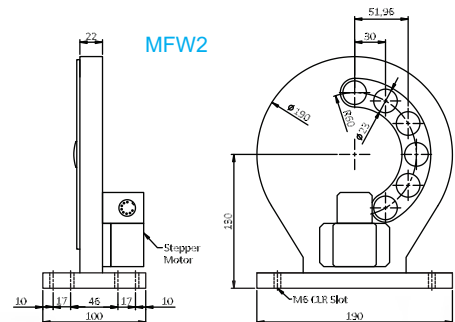


Plate Holder / Glass Slide Holders



Plate/ glass slide holders can be used for holding glass plates rigidly. The plates are held in position by adjustable screws.

Specifications

Maximum plate thickness	: 1mm to 8mm
Mounting hole	: M6 Tapped hole for post mounting
Material	: Aluminium

Model No:	Size H X W X L (mm)	Number of Locking knobs
CPL-25	25x25x25	1
CPL-50	25x25x50	2
CPL-75	25x25x75	3
CPL-100	25x25x100	4



Plate Holder- C Shaped

This plate holder can be used for mounting plates of thickness upto 22 mm. The holder can be mounted on post.



Specifications

Maximum plate thickness	: 5mm to 22mm
Optics held by	: Plastic padded screw
Mounting hole	: M6 tapped hole / M4 CBR hole for post mounting
Material	: Aluminium

Model No:	Size H X W X L	Number of Locking knobs
CPC-25	25x25x37	1
CPC-50	25x50x37	2
CPC-75	25x75x37	3
CPC-100	25x100x37	4

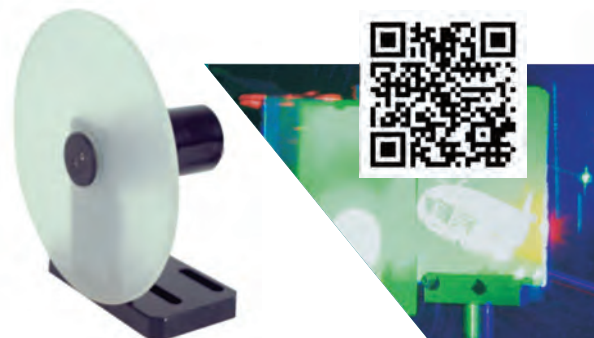
Diffuser Plate with Rotator

Model : DPR - 200

This device consists of a circular glass diffuser fixed to the shaft of a DC motor. The controller for this device provide speed adjustments from 300 - 1500 rpm.

Specifications

Disc rotation speed	: 300 rpm min to 1500 rpm Max
Disc diameter	: 200mm dia
Mounting hole	: M6 tapped hole / M4 CBR hole for post mounting
Controller	: Speed control by a volume control
Motor	: DC motor



Need customization? No problem. We will do our best to meet your performance level and budgetary needs. HOLMARC's experienced support engineers will be glad to help you. Call us at +91 484 2540075 or send us a mail to sales@holmarc.com for vibration control and to discuss our custom and OEM capabilities.



Polarizer Mounts

Manual Polarizer Rotators

Polarizer rotators are suitable to rotate polarisers, wave plates, crystals etc. Four types of manual polariser rotators are available for different applications. Suitable adapters for various optic sizes are available on request.

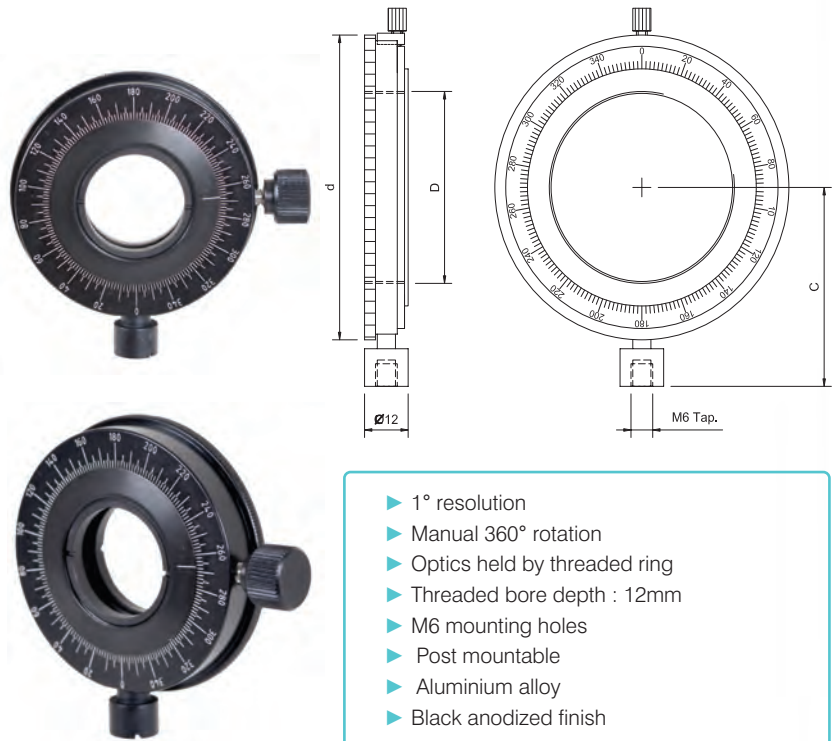
Polarizer Rotator - PMC Series



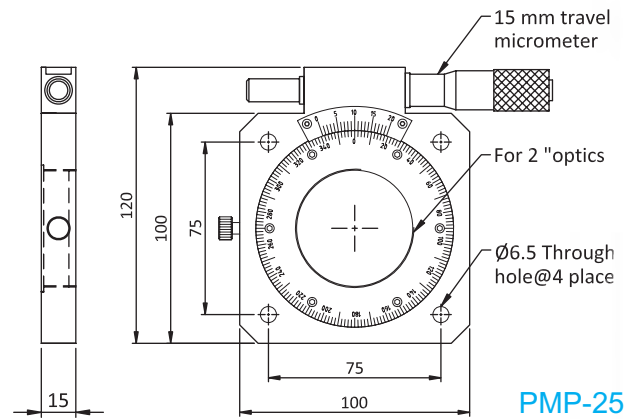
PMC Series can be rotated and locked at desired position. Single polarizer mount and dual polarizer mounts are available in PMC series.

Model No:	Optic Diameter	Thread
PMC-25	25mm / 1"	HM1
PMC-50	50mm / 2"	HM2

Model No:	D	d	C
PMC-25	25mm	56mm	40mm
PMC-50	50mm	81mm	53mm



Precision Polarizer Rotator PMP Series

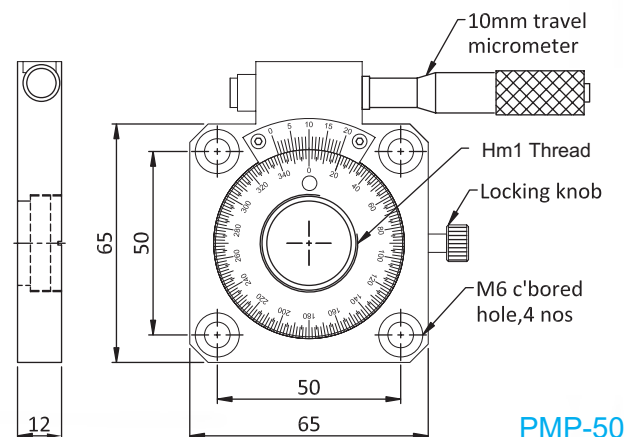


Precision rotary adjustments are possible in this mount. Plate/sheet polarizes are held between two threaded rings inside a threaded bore. For other shapes, adapters have to be used.

- ▶ 0.1° resolution
- ▶ Manual 360° rotation
- ▶ +/3° Precision Movement
- ▶ Drive by Micrometer
- ▶ Readout from vernier
- ▶ Optics held by Threaded Ring
- ▶ Threaded Bore Depth : 12mm
- ▶ M6 mounting holes
- ▶ Post mountable
- ▶ Aluminium alloy
- ▶ Black anodized finish

Model No:	Optics Dia.
PMP-25	25mm/1"
PMP-50	50mm/2"

* PMP-25 thread size is HM1 and PMP-50 thread size is HM2.



Polarizer Rotator/Wave Plate Rotator With Fast Axis Dial

PMC-FA

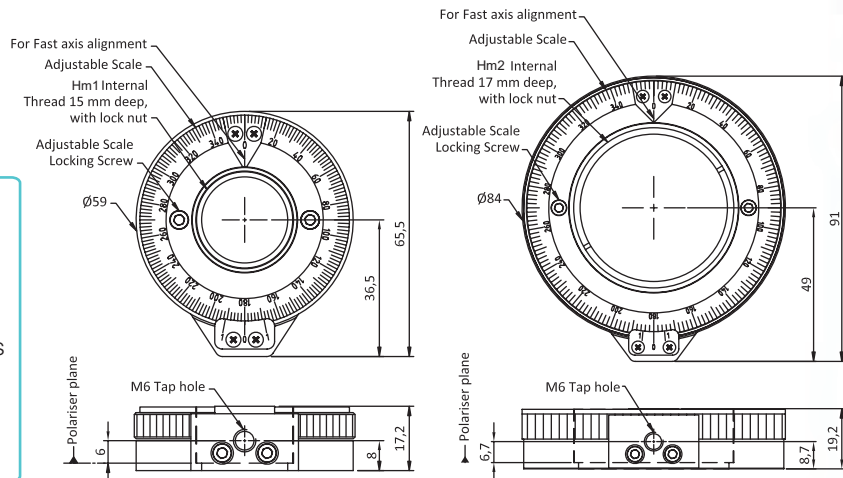


This polarizer mount provides continuous 360° rotation with 0.5 degree resolution within vernier scale. Outside surface is knurled to ensure grip while positioning. There is M6 tapped hole at the bottom for post mounting. Fast axis of the mounted wave plate can be set to the desired reading with the help of a dial which is rotatable independently.



Model No:	Optic Size	Thread Depth	Thread Type
PMC-FA-25	1" or 25mm	15 mm	HM1
PMC-FA-50	2" or 50mm	17 mm	HM2

- ▶ Able to set fast axis dial
- ▶ 360 degree continuous rotation
- ▶ 0.5 Degree resolution
- ▶ Suitable 1" and 2" optics
- ▶ Suitable for wave plates & polarizing optics
- ▶ For smaller optics, adapters can be used
- ▶ Post mountable with M6 screws
- ▶ Aluminium alloy & black anodized finish



Precision Polarizer Rotator with Tilt

TLT Series



Precision rotary adjustments are possible with this mount. Plate/sheet polarizers are held between two threaded rings inside a threaded bore. For other shapes, adapters have to be used.

Kinematic design of this mount provides fine tilt adjustments in two planes for the mounted polarizers.

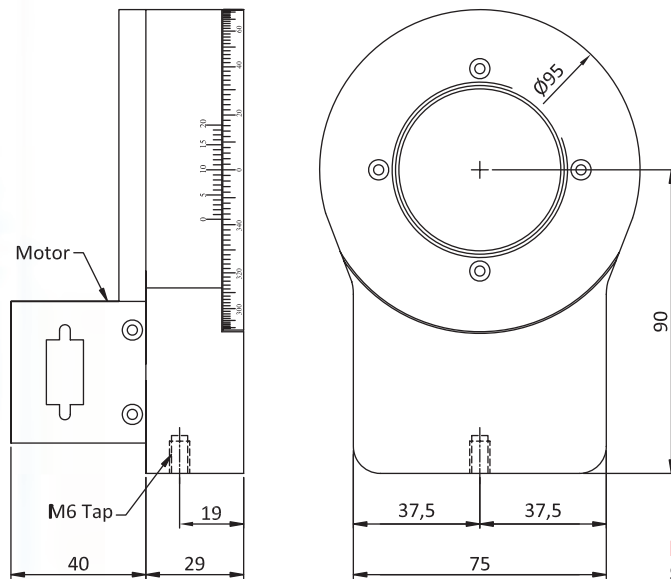
- ▶ +/- 3° kinematic tilt
- ▶ Lead screw drive for tilt
- ▶ 0.1° resolution for rotation
- ▶ Manual 360° rotation
- ▶ ±3 degree precision movement
- ▶ Rotation drive by micrometer
- ▶ Optics held by threaded ring
- ▶ Threaded bore depth : 12mm
- ▶ M6 mounting holes
- ▶ Post mountable
- ▶ Aluminium alloy
- ▶ Black anodized finish

Model No:	Optic Diameter : D	Thread Type	Type
TLT - 25PMC	25mm / 1"	HM1	Polarizer Rotator with Tilt
TLT - 50PMC	50mm / 2"	HM2	Polarizer Rotator with Tilt
TLT - 25PMP	25mm / 1"	HM1	Precision Polarizer Rotator with Tilt
TLT - 50PMP	50mm / 2"	HM2	Precision Polarizer Rotator with Tilt

Glan-thompson prism adaptors are also available.

Motorized Polarizer Rotator (High speed low resolution)

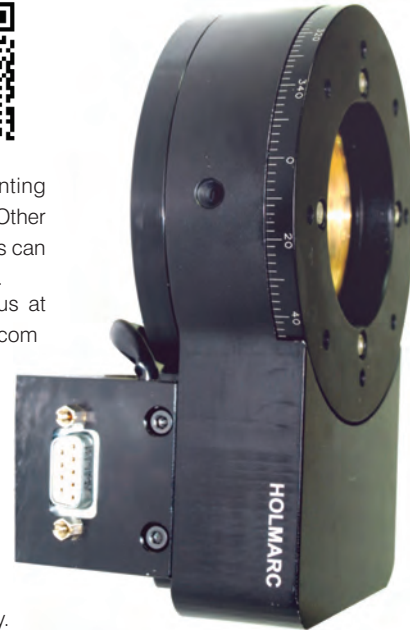
This model of polarizer mount has spur gear drive with stepper motor. The polarizer mount is supported on ball bearing for smooth and noiseless positioning. Resolution and repeatability is around 0.5°. Holmarc provides control modules for these devices either with stand alone user interface or with PC control.



Model No:	Optic Size	Thread
MPR-HSLR-25	25mm/1"	HM1
MPR-HSLR-50	50mm/2"	HM2



For post mounting refer page 32. Other mounting options can also be provided. Please contact us at sales@holmarc.com

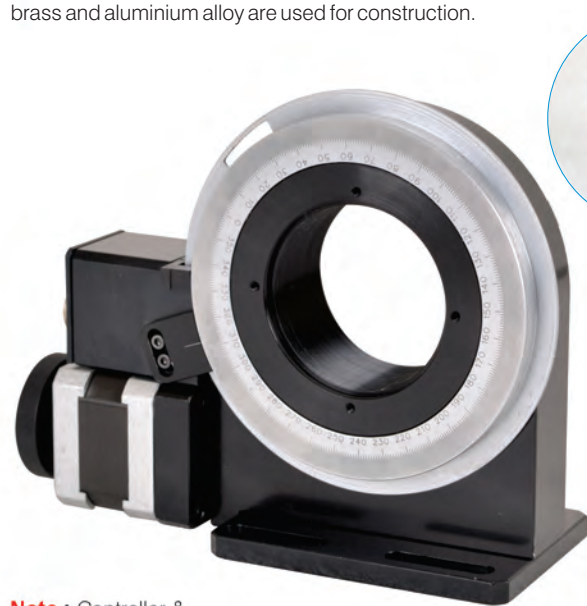


Note : Controller & Software sold separately.

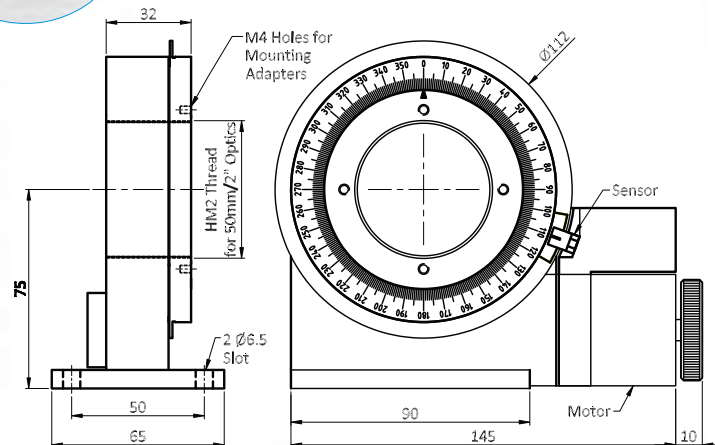
Motorized Polarizer Rotator (Slow speed high resolution)

In this model, worm gear drive is used for increased resolution and positioning accuracy. Stepper motor is the actuator, hence maximum speed is limited to 12° per second. Resolution is more than 0.01° where as repeatability is 0.05°. Corrosion free materials like stainless steel, brass and aluminium alloy are used for construction.

Model No:	Optic Size	Thread
MPR-SSHR-50	50mm/2"	HM2
AD-SSHR-25	25mm/2" Adapter	HM1



Model No: AD-SSHR-25

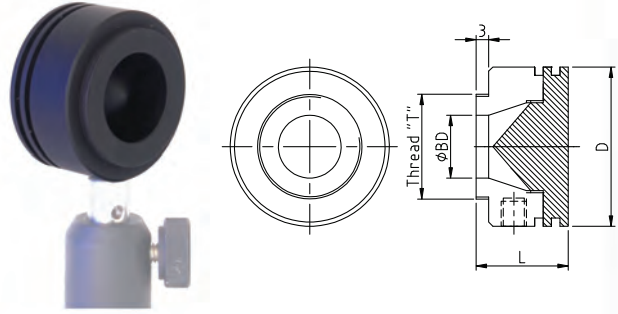


Note : Controller & Software sold separately.

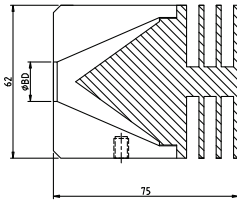
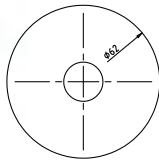
Beam Dump

These beam dumps provide nominal beam dumping for low power lasers

Model No:	Max.Beam Size(BD) mm	D(mm)	L(mm)	T
BD-15	15	38	19	HM1
BD-26	25	48	23	HM38
BD-52	50	75	25	-



Air Cooled Beam Dump



These can be used for relatively high power lasers in most of the wave length range.

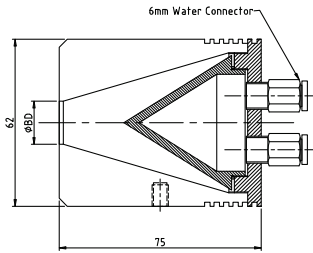
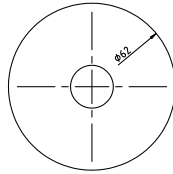
Model No:	Max.Beam Size(BD)
BD-A-15	15mm
BD-A-26	25mm
BD-A-52	50mm



Water Cooled Beam Dump

These beam dumps are suitable for high power lasers upto 10 watts

Model No:	Max.Beam Size(BD)
BD-W-15	15mm
BD-W-26	25mm
BD-W-52	50mm



- ▶ Aluminium alloy construction
- ▶ Black anodized finish
- ▶ 6mm thick nose couplings for water connection

UV -VIS-NIR

CG216 / CT216 Series CCD Spectrometer

NEW

CT216 Series



CG216 Series



CT216 Series

- ✓ New compact, custom-configured models
- ✓ Can be handheld or securely mounted
- ✓ Flexible optical input direct to slit or via fiber
- ✓ Designed for a wide range of applications
- ✓ High performance optics & electronics
- ✓ Standard design allows from 200nm to 1050nm range
- ✓ UV enhanced coating for UV Range Spectrometer

Perfect Choice for Spectral Applications

Visit us at www.holmarc.com
E-mail: sales@holmarc.com | mail@holmarc.com | PH : +91 484 2540075
Sales@holmarc.com | Fax : +91 484 2540882

Laser Mounts



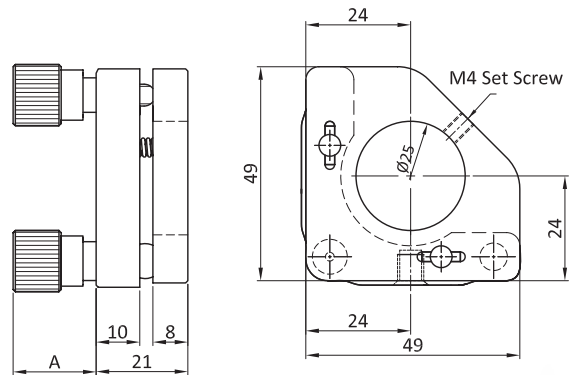
Kinematic Diode Laser Mount

Model : HO-KDLM-20

Kinematic diode laser mount can be used to position diode lasers by fine tilting the beam axis in two perpendicular planes.



* Custom laser adaptors are available.
Please contact us at sales@holmarc.com

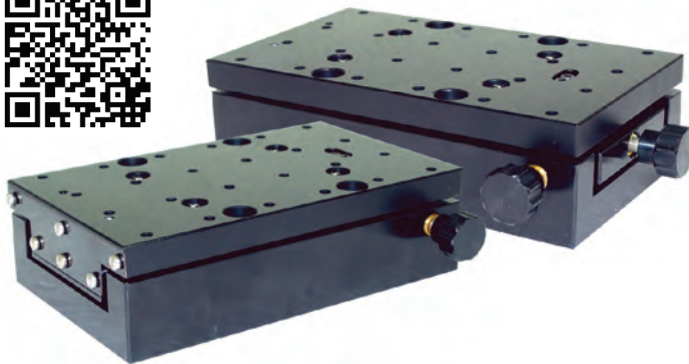


Specifications :

Fine adjustments: Using 80 tpi leadscrews
Adjustment range: +/- 3°
Sensitivity: 20 arc sec
Construction: Aluminium alloy
Finish: Black anodized
Maximum diameter of the diode module: 25mm

DPSS Laser Mount

Model : HOM-DPSS-G-15090 & HOM-DPSS-19090

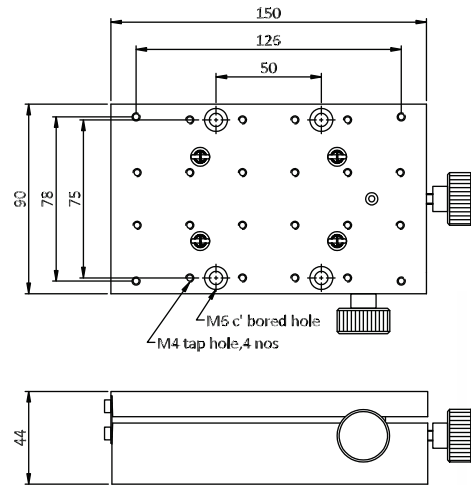


These mounts are manufactured with mounting holes suitable for DPSS lasers. Three lead screws supported by the kinematic design of the mount enables tilt as well as linear adjustments. The base of the mount has holes suitable for breadboard mounting.

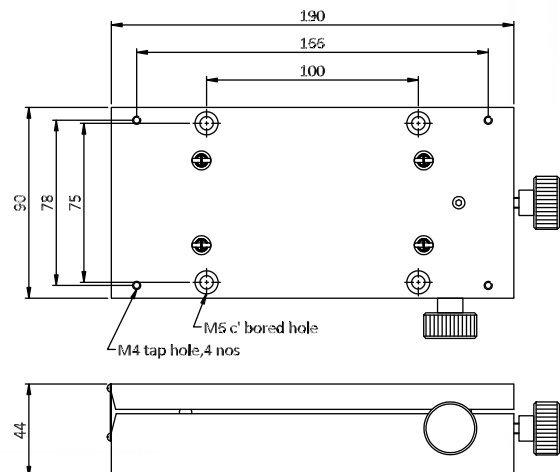
- ▶ Tilting range +/- 2 degrees
- ▶ Driven by 80 tpi leadscrews
- ▶ 20 arc sec. sensitivity
- ▶ Aluminium alloy
- ▶ Black anodized finish
- ▶ Breadboard mountable

Model No:	Platform Size	Tilting Range
HOM-DPSS-G-15090	150x90mm	+/- 2 degree
HOM-DPSS-19090	190x90mm	+/- 2 degree

HOM-DPSS-G-15090



HOM-DPSS-19090



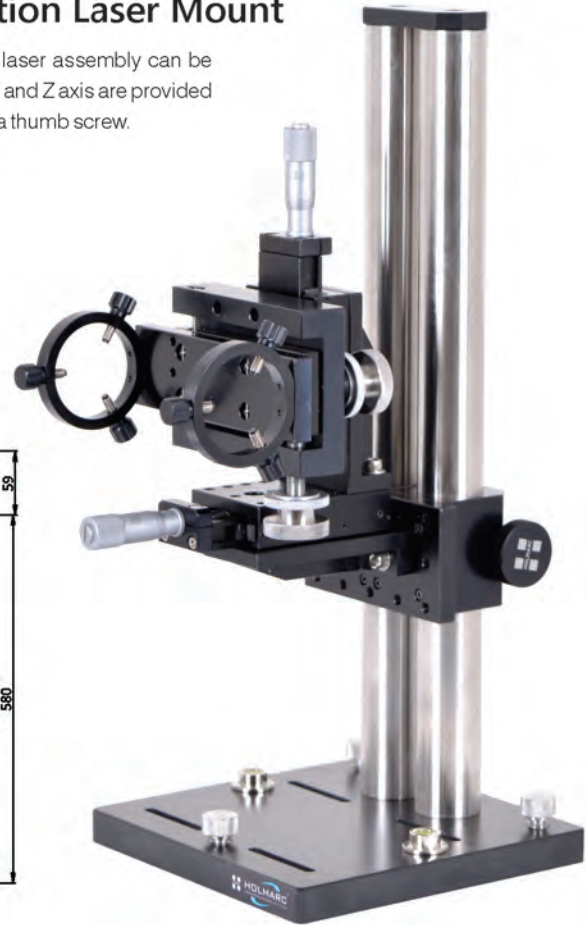
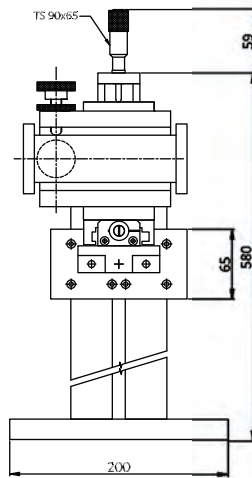
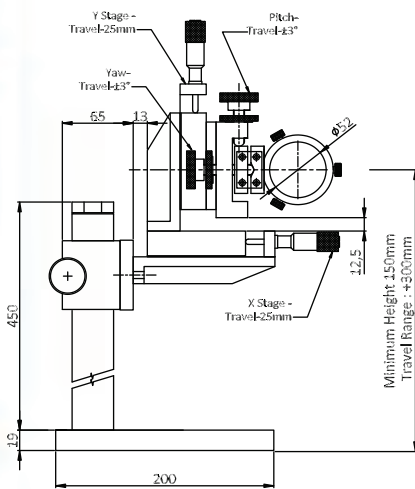


Height Adjustable XZ Tilt & Rotation Laser Mount

This laser mount is fixed to a pillar system so that the entire laser assembly can be positioned anywhere on the pillars. Linear adjustments along X and Z axis are provided by micrometer driven translation stages. Tilt control is given by a thumb screw.

- ▶ X travel - 25 mm
- ▶ Z travel - 25 mm
- ▶ Pitch - $\pm 3^\circ$
- ▶ Yaw - $\pm 3^\circ$
- ▶ Minimum height - 150mm
- ▶ Maximum height - 450 mm
- ▶ Maximum laser diameter - 50 mm
- ▶ Material - aluminium
- ▶ Mounting holes - M6 CLR slots

Model No:	Max Laser Dia:
HA-LM-50	50 mm



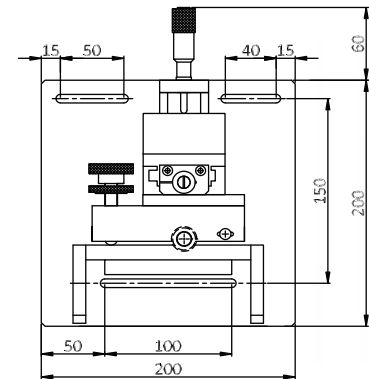
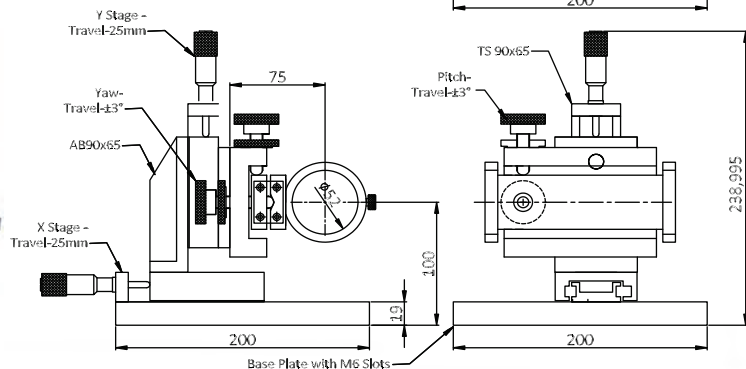
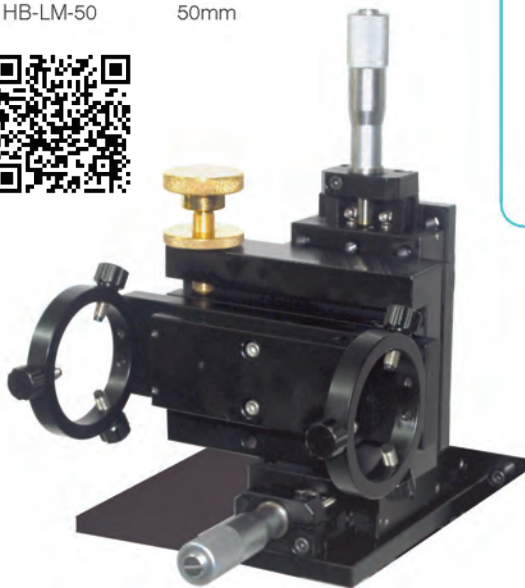
Base Mountable XZ Tilt & Rotation Laser Mount

This laser mount has a base plate with M6 slots for fixing to breadboards or optical tables. There are micro meter driven translation stages for X and Z axis adjustments.

Model No:	Max Laser Dia:
HB-LM-50	50mm



- ▶ X travel - 25 mm
- ▶ Z travel - 25 mm
- ▶ Pitch - $\pm 3^\circ$
- ▶ Yaw - $\pm 3^\circ$
- ▶ Minimum height - 150 mm
- ▶ Maximum height - 450 mm
- ▶ Maximum laser diameter - 50 mm
- ▶ Material - aluminium
- ▶ Mounting holes - M6 CLR slots



Apertures

Pinholes - Mounted



Holmarc manufactures precision pinholes for spatial filtering and other similar applications. Standard pinholes are available in either copper or stainless steel substrates.



http://www.holmarc.com/apertures_and_mounts.php

HPRA-Series

- ▶ Material: Copper
- ▶ 25mm outer diameter
- ▶ 20 Micron thickness
- ▶ Compatible with PHC-3 pinhole cells

PIN-H-Series

- ▶ Material: Stainless Steel
- ▶ 9.35mm outer diameter
- ▶ 25 Micron thickness
- ▶ Compatible mounts available

PINH-Series

- ▶ Material: Stainless Steel
- ▶ 25mm outer diameter
- ▶ 25 Micron thickness
- ▶ Compatible with PHC-3 pinhole cells

★ Custom hole size can be provided.

Model No:	Size
PIN-H-025	0.25mm
PIN-H-050	0.50mm
PIN-H-075	0.75mm
PIN-H-100	1.00mm
PIN-H-200	2.00mm
PIN-H-300	3.00mm

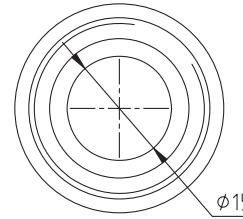
Model No:	Size
HPRA-3-5	5.0μm+/-1.0μm
HPRA-3-10	10.0 m+/-1μm
HPRA-3-15	15.0μm+/-1.5μm
HPRA-3-25	20μm+/-2μm
HPRA-3-50	25μm+/-2μm
HPRA-3-100	30μm+/-2μm
HPRA-3-200	35μm+/-2μm

Model No:	Size
PINH-5.0	5.0μm+/-1.0μm
PINH-10	10.0 m+/-1μm
PINH-15	15.0μm+/-1.5μm
PINH-20	20μm+/-2μm
PINH-25	25μm+/-2μm
PINH-30	30μm+/-2μm
PINH-35	35μm+/-2μm

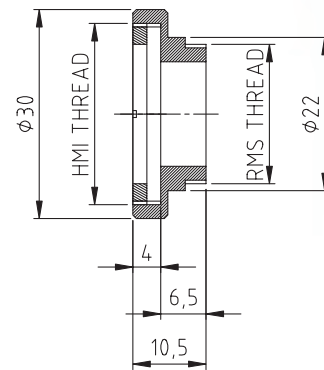
Pinhole Cells

Model No. PHC-3

These pinhole cells are suitable for 25mm dia. mounted pinholes. It can be used with rigid, kinematic, XY, XYZ and 5axis stages. The cell comes with standard RMS thread for fixing to various mounts.



- ▶ RMS external thread
- ▶ Material: aluminium
- ▶ Finish : Black anodized



- ▶ Material: aluminium
- ▶ Finish: black anodized
- ▶ 25mm outer diameter
- ▶ 0.5 mm thickness
- ▶ Compatible with RLM-25 mount

Round Apertures - AS Series

These apertures are made in aluminium substrate and finished by black anodizing. The aperture can be mounted to our standard RLM-25 lens mount.



Model No:	Diameter D
AS-0.5	0.5mm
AS-1	1mm
AS-2	2mm
AS-3	3mm
AS-4	4mm
AS-5	5mm
AS-6	6mm
AS-7	7mm
AS-8	8mm
AS-9	9mm
AS-10	10mm

Compatible mounts are available for other standard/ custom pinholes

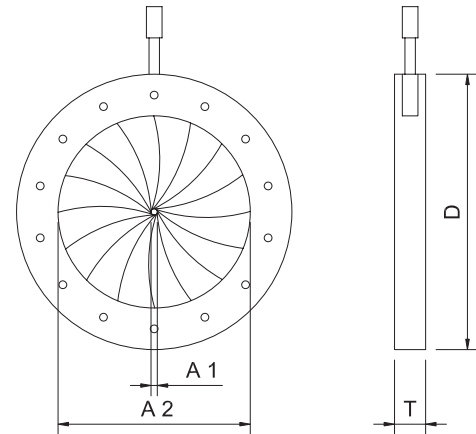
Variable Aperture

Std Variable Round Aperture - SSID Series

Holmarc manufactures variable aperture in four different sizes. These are precision devices which offer near perfect circular apertures.



Model No:	Max Aperture	Min Aperture	D(mm)	Thickness(mm)
SSID-12	12mm	0.8mm	19.8	5.0
SSID-25	25mm	0.8mm	37	5.5
SSID-37	37mm	1.2mm	53	6.0
SSID-50	50mm	2mm	70	7.5



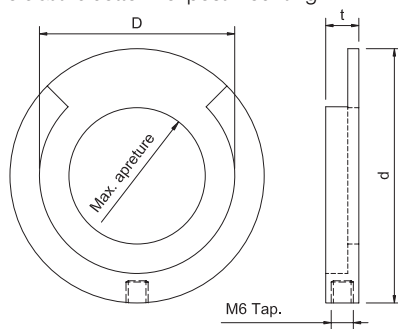
- ▶ Made of brass and aluminium
- ▶ Lever made of spring steel
- ▶ Compatible with MSSID Series mounts
- ▶ Black anodized finish



http://www.holmarc.com/apertures_and_mounts.php

Std Variable Round Aperture Mount - MSSID Series

These mounts are specially suited for Holmarc's variable apertures. There is M6 tapped hole at the bottom for post mounting.



Model No:	D(mm)	t(mm)	d(mm)	Suitable aperture model
MSSID-12	19.8	8.0	35.8	SSID-12
MSSID-25	37	8.5	53.0	SSID-25
MSSID-37	53	9.0	69.0	SSID-37
MSSID-50	70	10.5	86.0	SSID-50



Stainless steel variable apertures and compatible mounts are available

- ▶ Aluminium alloy construction
- ▶ M6 mounting hole
- ▶ Black anodized finish
- ▶ Compatible with SSID series apertures

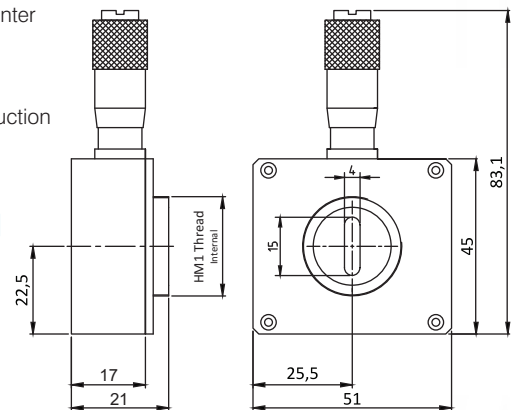
Std Variable Slit - SVRA Series

Variable slits manufactured by Holmarc has micrometer drive which shows slit opening directly on the graduations.



- ▶ Slit has 15mm length
- ▶ 0-2mm opening
- ▶ Opens equally from center
- ▶ Polished steel blades
- ▶ M6 mounting hole
- ▶ Post mountable
- ▶ Aluminium alloy construction
- ▶ Black anodized finish

Model No:
SVRA



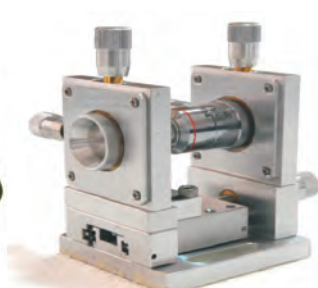
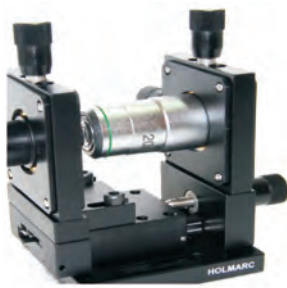
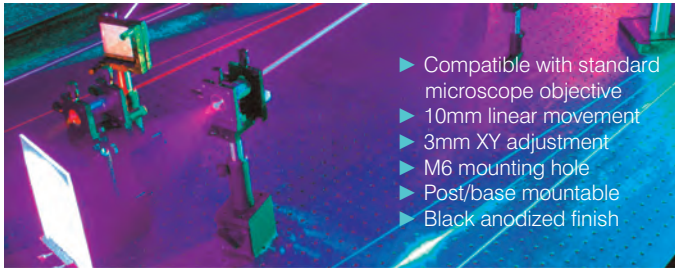
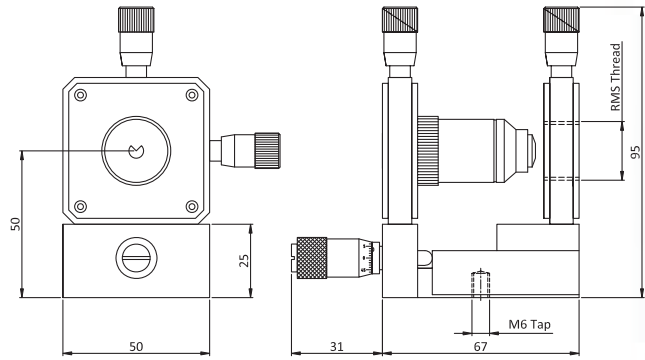
Spatial Filter Mount - SFAS Series



Fine XY adjustment facility is provided for both objective and pinhole. Pinhole assembly is detachable and can be inserted after aligning objective with other optics for spatial filtering. The distance between objective mount and pinhole mount can be varied from 30 mm to 50 mm. This helps to accommodate objectives of varying sizes.

Model No:
SFAS

Note: Pinholes and microscope objectives are sold separately.



Microscope Objective for Spatial Filtering
Refer page: 156



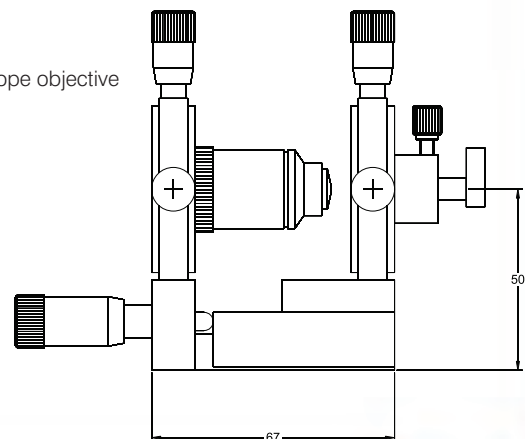
Laser Fiber Coupler

Laser fiber coupler consists of microscope objective and XYZ fiber mount to achieve maximum coupling of laser beam to fiber tip. The device can be either post mounted or base mounted.

Model No:	Connector Type
LFC - 1	Fiber Chuck (FC1)
LFC - 1 FC	FC, Connector



- ▶ Fiber Chuck/ FC Connector Compatible
- ▶ 3 mm XY adjustment
- ▶ 10 mm linear movement
- ▶ Compatible with std microscope objective
- ▶ M6 Mounting Hole
- ▶ Post/base mountable
- ▶ Black anodized finish





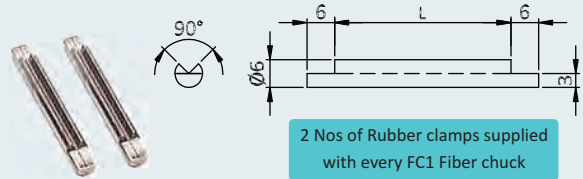
Fiber Positioners

Fiber Chuck and Holders

Fiber Chuck - FC - 1 Series

This fiber chuck can be used for mounting optical fibers safely and rigidly. The chuck is a V grooved rod having both ends flattened. Fiber is held in position inside the groove by rubber clamps as shown in the photograph

Model No:	Length L
FC-1-20	20mm
FC-1-30	30mm
FC-1-50	50mm
FC-1-65	65mm



Fiber Chuck Holder - FCH Series



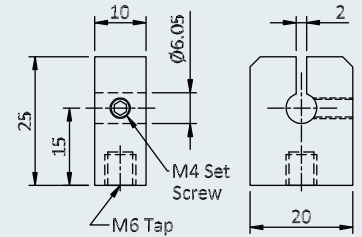
Fiber chuck holders helps to mount fiber chucks in a post system.



Model No:

FCH-I-20

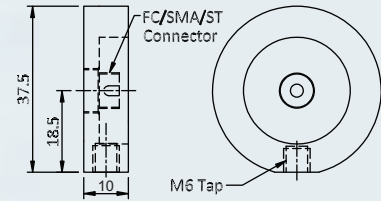
- Suitable For Bare type and FC, SMA series Fiber Connectors



Fiber Chuck SMA / FC / ST Fiber Holders

These holders can be use to mount connectorised fibers.

Model No:	Fiber type
FC-SMA	SMA Connector
FC-FC	FC Connector
FC-ST	ST Connector



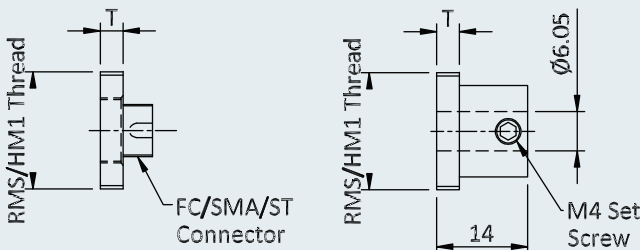
Threaded Chuck Holder For Fiber Chucks / Connectors

These chuck holders have external threads, suitable for using with many standards mounts as listed below



- RMS thread / HM1 thread
- Aluminium alloy
- Black anodized finish
- Suitable for RMS / HM1 threaded alignment mounts or adapters

Model No:	Thread	Connector / Chuck Type
FCH-TI-FC-1	RMS	Fiber Chuck Fc1
FCH-TI-SMA	RMS	SMA Fiber Connector
FCH-TI-FC	RMS	FC-Fiber Connector
FCH-TI-ST	RMS	ST-Fiber Connector
FCH-T2-FC-1	HM1	Fiber Chuck Fc1
FCH-T2-SMA	HM1	SMA - Fiber Connector
FCH-T2-FC	HM1	FC - Fiber Connector
FCH-T2-ST	HM1	ST - Fiber Connector



Suitable Mounts

- 1 . Kinematic Objective Mount With RMS Thread (Refer Page...094)
- 2 . Kinematic Lens Mount With Hm1 Thread (Refer Page...094)
- 3 . XY Objective Mount With RMS Thread (Refer Page...095)
- 4 . XY Lens Mount With Hm1 Thread (Refer Page...093)
- 5 . XYZ Objective Mount With RMS Thread (Refer Page...095)
- 6 . Five Axis Positioner With RMS Thread (Refer Page...113)
- 7 . Fiber Adapters With RMS Thread
- 8 . Fiber Adapters With HM1 Thread





Fiber Positioners and Adapters

HOLMARC

Adapters

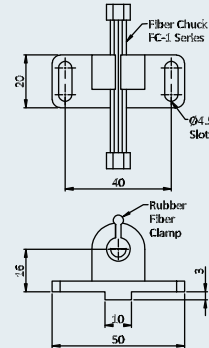
Adapters for fiber chuck



Adapters are used to hold fiber chuck safely in an optical system. Adapter has counter bored slots for mounting to stages / optical tables.

Model No:
TC-FCH

- ▶ Suitable for bare fiber
- ▶ Aluminium alloy
- ▶ Black anodized finish
- ▶ Fiber chuck FC-1 sold separately
- ▶ For 6mm dia FC-1 chuck

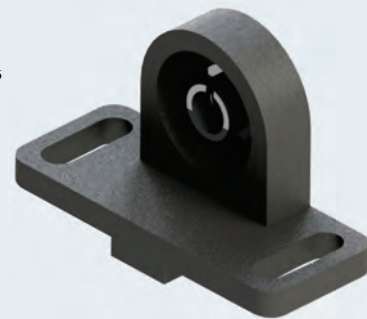
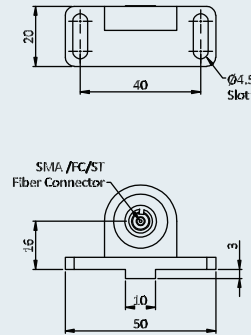


Adapters for SMA / FC / ST Fiber Connector

This adapter model is made for various standard fiber connectors.

- ▶ Suitable for SMA/FC/ ST fiber connector
- ▶ Aluminium alloy
- ▶ Black anodized finish

Model No:	Type
TC-SMA	SMA connector
TC-FC	FC connector
TC-ST	ST connector



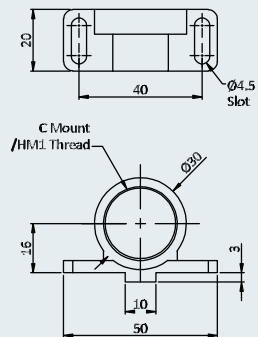
HM1 / C Mount Threaded Adapter

This adapter is for mounting C mount objectives. It has suitable inside threads.

- ▶ Suitable for C mount objectives
- ▶ Suitable for HM1 threaded Components (Lens tube / fiber holder etc.)
- ▶ Black anodized finish
- ▶ Aluminium alloy



Model No:	Thread
TC - HM1	HM1 thread
TC - CM	C Mount thread

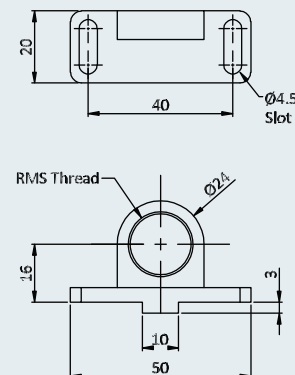
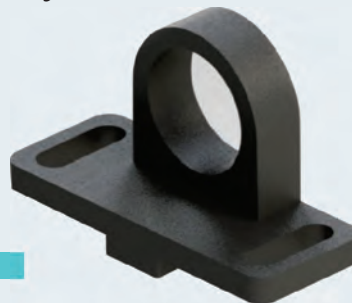


RMS Threaded Adapter (For Microscope Objectives)

RMS threaded adapter has inside threads suitable for standard microscope objectives.

- ▶ Suitable for microscope objectives / assemblies with RMS thread (Lens tube / fiber holder etc...)
- ▶ Black anodized finish
- ▶ Aluminium alloy

Model No:	Thread
TC - RMS	RMS thread



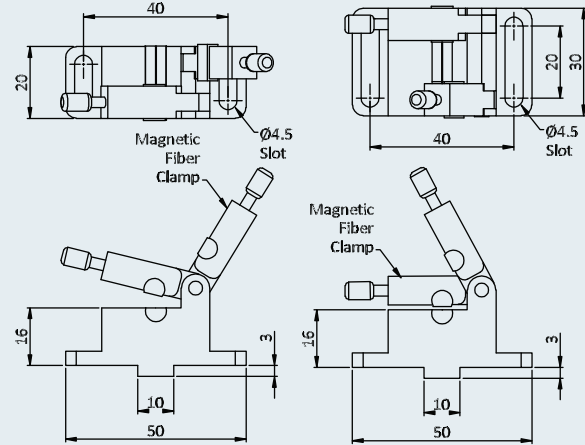
Clamping Fiber Adapter

This fiber adapter is for fixing bare optical fiber rigidly and safely in an optical system.



- ▶ Suitable for bare fiber
- ▶ Magnetic clamps
- ▶ Aluminium alloy

Model No:	Fiber Type
TC-CFA-S	Bare Fiber
TC-CFA-L	Bare Fiber



Positioners

Rigid Support

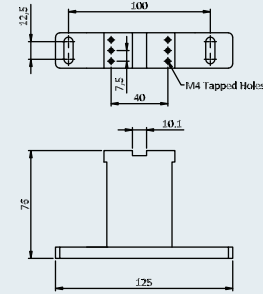
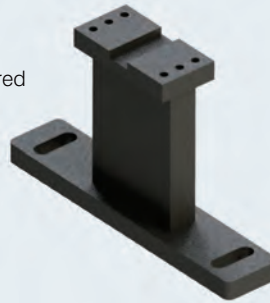
Model No: TC-RS-76

These rigid supports have M4 tapped holes on top and M6 C' bored holes on bottom.

- ▶ 10mm grooved top plate
- ▶ Ø6.5 slots for M6 screws
- ▶ 76mm height
- ▶ Aluminium alloy
- ▶ Black anodized finish



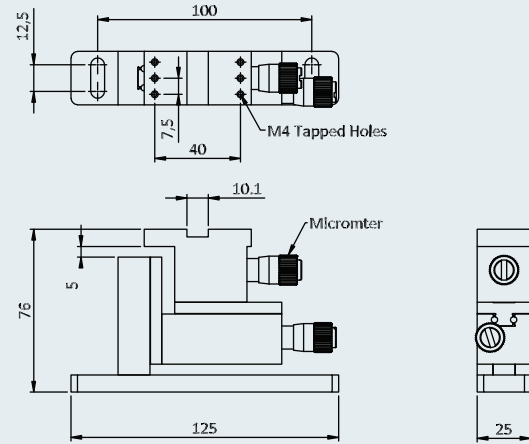
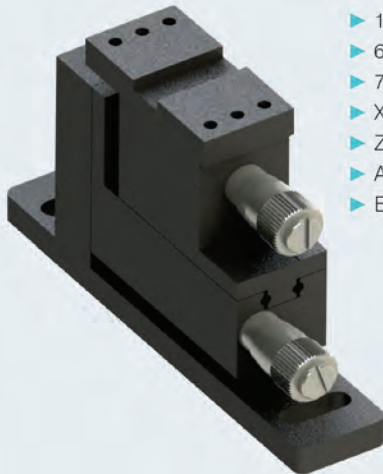
http://www.holmarc.com/fiber_positioners.php



XZ Positioner

XZ fiber positioner consists of precision, compact XZ stage with fiber clamping provision through the center of the Z-axis stage. The stages make use of preloaded rolling contact ball bearing guide ways for frictionless and stick-slip free positioning. The positioner is equipped with a fiber chuck and chuck holder to clamp fibers up to 1 mm diameter.

- ▶ 10.1mm grooved top plate
- ▶ 6.5mm dia slots for mountings
- ▶ 76mm height
- ▶ X Travel 5mm / 2.5mm
- ▶ Z Travel 5mm / 2.5mm
- ▶ Aluminium alloy
- ▶ Black anodized finish



Drive

Type 1	Type 2
Micrometer	Micrometer
Resolution 10 Micron	Resolution 5 Micron
Positioning Accuracy 5 Micron	

Model No:	Drive	Travel
TC XZ-M μ 10	Micrometer 10 μ	5mm
TC XZ-M μ 5	Micrometer 5 μ	2.5mm

XYZ Positioner

XYZ fiber positioner consists of compact XYZ stage with fiber clamping provision through the center of the Z-axis stage. The stage makes use of preloaded rolling contact ball bearing guide ways for frictionless and stick-slip free positioning. The positioner is equipped with a fiber chuck and chuck holder to clamp fibers up to 1 mm diameter.



- ▶ 10.1mm grooved top plate
- ▶ 6.5mm dia slots for mounting
- ▶ 76mm height
- ▶ X Travel 5mm / 2.5mm
- ▶ Y Travel 5mm / 2.5mm
- ▶ Z Travel 5mm / 2.5mm
- ▶ Aluminium alloy
- ▶ Black anodized finish

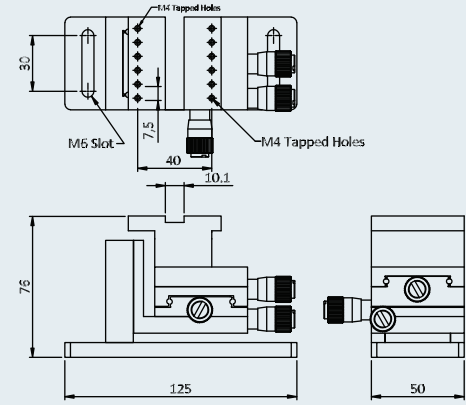
Drive

Type 1	Type 2
Micrometer	Micrometer
Resolution 10 Micron	Resolution 5 Micron
Positioning Accuracy 5 Micron	

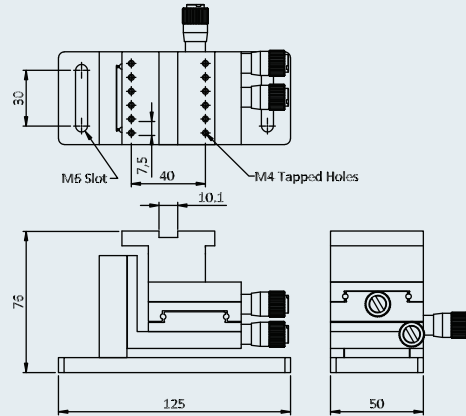


http://www.holmarc.com/fiber_positioners.php

Model No:	Drive	Micrometer	Travel
TC-XYZ-R-M μ 10	Micrometer 10 μ	Right	5mm
TC-XYL-R-Mu 5	Micrometer 5 μ	Right	2.5mm
TC-XYZ-L-M μ 10	Micrometer 10 μ	Left	5mm
TC-XYZL-L-Mu 5	Micrometer 5 μ	Left	2.5mm



XYZ Positioner Left Side



XYZ Positioner Right Side

Five Axis Positioner



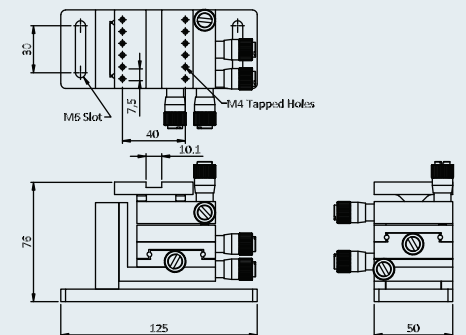
Five axis fiber positioner consists of compact 5 axis stage with fiber clamping provision through the center of the Z-axis stage. The stage makes use of preloaded rolling contact ball bearing guide ways for frictionless and stick-slip free positioning. The positioner is equipped with a fiber chuck and chuck holder to clamp fibers up to 1 mm diameter.

- ▶ Top plate having 10.1mm groove
- ▶ 6.5mm dia slots for mountings
- ▶ 76mm height
- ▶ X Travel 5mm / 2.5mm
- ▶ Y Travel 5mm / 2.5mm
- ▶ Z Travel 5mm / 2.5mm
- ▶ Aluminium black anodized finish
- ▶ ϕ 1 Tilting range $\pm 2^\circ$
- ▶ ϕ 2 Tilting range $\pm 2^\circ$

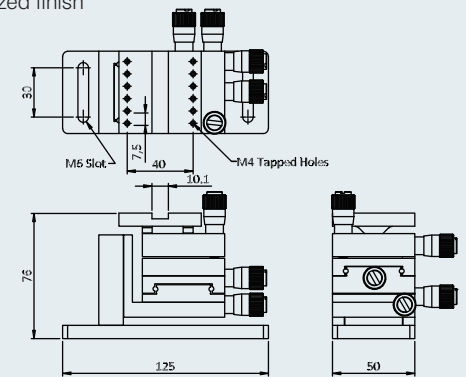
Drive

Type 1	Type 2
Micrometer	Micrometer
Resolution 10 Micron	Resolution 5 Micron
Positioning Accuracy 5 Micron	

Model No:	Drive	Micrometer	Travel
TC-5AR-Mu10	Micrometer 10 μ	Right	5mm
TC-5AR-Mu 5	Micrometer 5 μ	Right	2.5mm
TC-5AL-Mu10	Micrometer 10 μ	Left	5mm
TC-5AL-Mu 5	Micrometer 5 μ	Left	2.5mm



Five Axis Positioner Left Side



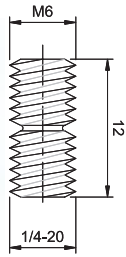
Five Axis Positioner Right Side

Metric - English Thread Adapters (One set contains 10 numbers.)

Model: META6M25



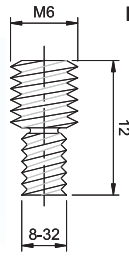
M6 Male 1/4-20 Male



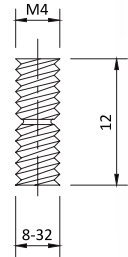
Model: META 6M15



M6 Male 8-32 Male



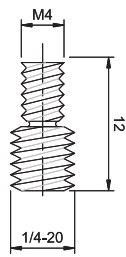
Model: META4M15



Model: META4M25



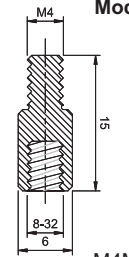
M4 Male 1/4-20 Male



Model: META4F15



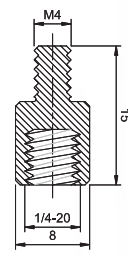
M4 Male 8-32 FeMale



Model: META4F25



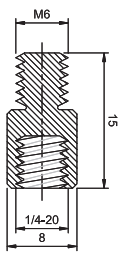
M4 Male 1/4-20 Female



Model: META6F25



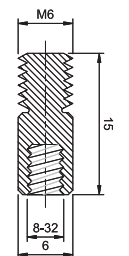
M6 Male 1/4-20 Female



Model: META6F15



M6 Male 8-32 Female



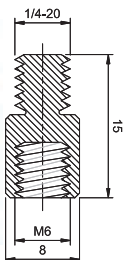
http://www.holmarc.com/thread_adapters.php

English - Metric Thread Adapters (One set contains 10 numbers.)

Model: EMTA25F6



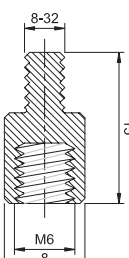
1/4-20 Male M6 Female



Model: EMTA15F6



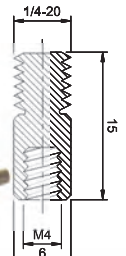
8-32 Male M6 Female



Model: EMTA25F4



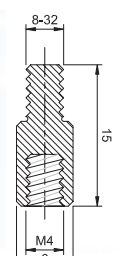
1/4-20 Male M4 Female



Model: EMTA15F4



8-32 Male M4 Female



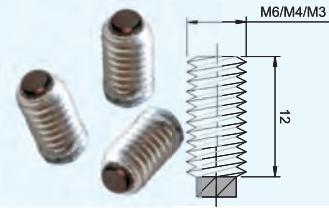
Set - Screws

These are used to clamp safely components and optics without damaging the clamping area.

Nylon tipped set-screws

Metric Set-Screws (One set contains 10 numbers.)

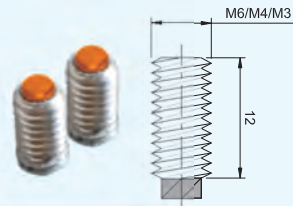
Item	L : 8mm	L : 12mm	L : 14mm	L : 18mm	L : 22mm	L : 27mm	L : 32mm
M6	SM6L8	SM6L12	SM6L14	SM6L18	SM6L22	SM6L27	SM6L32
M4	SM4L8	SM4L12	SM4L14	SM4L18	SM4L22	SM4L27	SM4L32
M3	SM3L8	SM3L12	SM3L14	SM3L18	SM3L22	SM3L27	SM3L32



Copper tipped set-screws

Metric Set-Screws (One set contains 10 numbers.)

Item	L : 6mm	L : 8mm	L : 12mm	L : 14mm	L : 18mm	L : 22mm	L : 27mm
M6	-	BSM6L8	BSM6L12	BSM6L14	BSM6L18	BSM6L22	BSM6L27
M4	BSM4L6	BSM4L8	BSM4L12	BSM4L14	BSM4L18	BSM4L22	BSM4L27
M3	BSM3L6	BSM3L8	BSM3L12	BSM3L14	BSM3L18	BSM3L22	BSM3L27

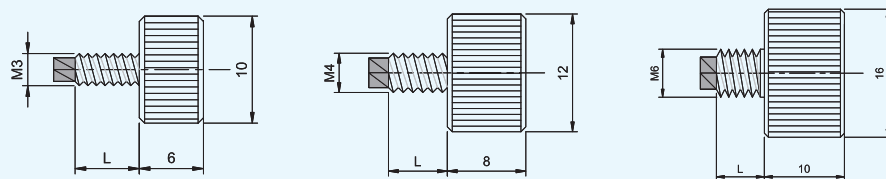


Thumb Screws

Nylon tipped thumb screws

Metric Thread Adapters (One set contains 10 numbers.)

Item	L : 6mm	L : 8mm	L : 12mm	L : 14mm	L : 18mm	L : 22mm
M6	TM6L6	TM6L8	TM6L12	TM6L14	TM6L18	TM6L22
M4	TM4L6	TM4L8	TM4L12	TM4L14	TM4L18	TM4L22
M3	TM3L6	TM3L8	TM3L12	TM3L14	TM3L18	TM3L22

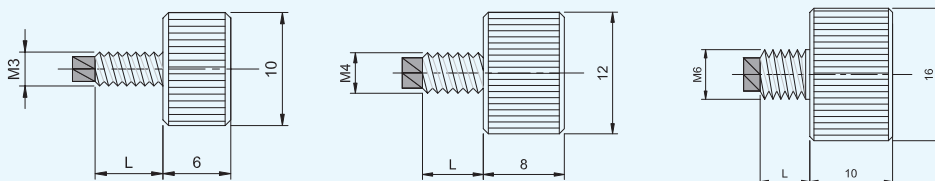


Copper tipped thumb screws

They are used to clamp safely components made in stainless steel . Copper tip is used to ensure firm clamping without damage.

Metric Thread Adapters (One set contains 10 numbers.)

Item	L : 6mm	L : 8mm	L : 12mm	L : 14mm	L : 18mm	L : 22mm	L : 27mm
M6	BTM6L6	BTM6L8	BTM6L12	BTM6L14	BTM6L18	BTM6L22	BTM6L27
M4	BTM4L6	BTM4L8	BTM4L12	BTM4L14	BTM4L18	BTM4L22	BTM4L27
M3	BTM3L6	BTM3L8	BTM3L12	BTM3L14	BTM3L18	BTM3L22	BTM3L27



SHC Screws

Metric Socket Cap Screws (One set contains 25 numbers.)

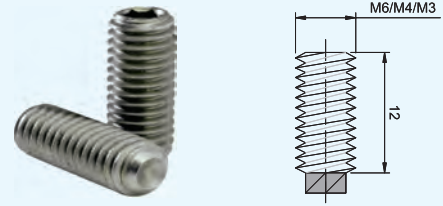
Item	6mm Length	10mm Length	12mm Length	16mm Length	20mm Length	25mm Length
M6	M6SHC6	M6SHC10	M6SHC12	M6SHC16	M6SHC20	M6SHC25
M4	M4SHC6	M4SHC10	M4SHC12	M4SHC16	M4SHC20	M4SHC25
M3	M3SHC6	M3SHC10	M3SHC12	M3SHC16	M3SHC20	M3SHC25



Allen key for M6,M4,M3,MCS,SCH screws. (One set contains 1 no each)

Metric Set Screws (One set contains 25 numbers)

Item	6mm Length	10mm Length	12mm Length	16mm Length	20mm Length
M6	M6SCGB6	M6SCGB10	M6SCGB12	M6SCGB16	M6SCGB20
M4	M4SCGB6	M4SCGB10	M4SCGB12	M4SCGB16	M4SCGB20
M3	M3SCGB6	M3SCGB10	M3SCGB12	M3SCGB16	M3SCGB20



Metric Allen Key, Washers and Nut

Item	Metric Allen Key	Washers	Nut
M6	MAKF2	M6W	M6N
M4		M4W	M4N
M3		M3W	M3N



All in One Screw kit

Items	Description
M6 SHC	Length 6,10,12,16,20,25 (25 Numbers)
M4 SHC	Length 6,10,12,16,20,25 (25 Numbers)
M3 SHC	Length 6,10,12,16,20,25 (25 Numbers)
M6 Set Screw	Length 6,10,12,16,20,25 (25 Numbers)
M4 Set Screw	Length 6,10,12,16,20,25 (25 Numbers)
M3 Set Screw	Length 6,10,12,16,20,25 (25 Numbers)
M6 Nut	25 Numbers
M6 Washer	25 Numbers
M4 Nut	25 Numbers
M4 Washer	25 Numbers
M3 Nut	25 Numbers
M3 Washer	25 Numbers
Allen Key Set	1 No.



WWW.HOLMARC.COM

Engage our expertise to speed your development. Put our extensive manufacturing capabilities to the test.



Custom Opto-Mechanics

We have years of experience in designing and manufacturing optical assemblies for spectroscopes, microscopes, interferometers and more.

Our expertise in designing and manufacturing wide range of optical instruments described in this brochure helps us to come out with quick and cost effective solutions. Our infrastructure in optics design and fabrication adds to our capabilities in optomechanics design and production.

We request our esteemed customers to talk to our engineers for any specific needs.

OFFICE & FACTORY ADDRESS

B.7, H.M.T. INDUSTRIAL ESTATE,
H.M.T. P.O. KALAMASSERY,
KOCHI, KERALA, INDIA
Ph.No. 91-484 2540075

www.holmarc.com
sales@holmarc.com

